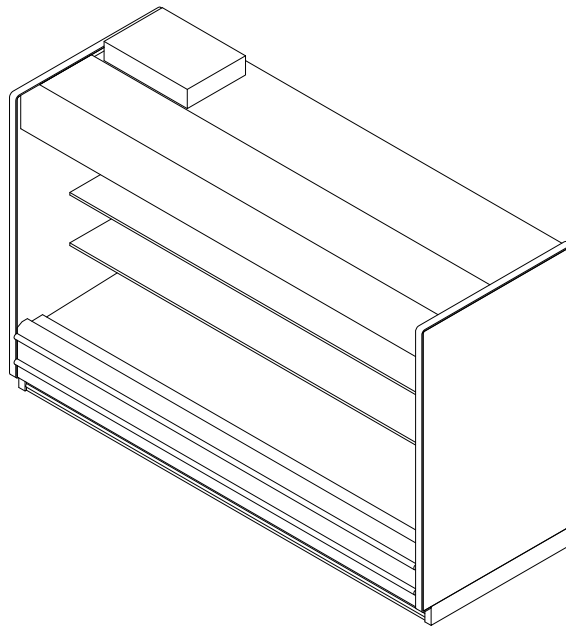


# 3NDML-NRG

Multi-Deck Merchandiser with Synerg-E™  
6' & 8' (Beverage / Dairy / Deli / Produce)

## GENERAL NOTES:

- "---" indicates that feature is not an option on this case model and/or the data is not yet available.



| SHIPPING WEIGHT |        |
|-----------------|--------|
| Case            | Weight |
| 3NDML-NRG       | ---    |



COMPONENT

ALL MEASUREMENTS ARE TAKEN PER ASHRAE-72-2005 SPECIFICATIONS. HILLPHOENIX REFRIGERATED DISPLAY CASES FOR SALE IN THE UNITED STATES MEET OR EXCEED DEPARTMENT OF ENERGY 2017 REQUIREMENTS.

## 3NDML-NRG

| Rev Date: | Rev # | Revision Description: |
|-----------|-------|-----------------------|
| 6-18-18   | 2     | NEW STANDARDS         |
| 10-13-17  | 1     | DOE APPROVED          |

**Hillphoenix**  
A DOVER COMPANY

| ELECTRICAL DATA |               |                      |       |
|-----------------|---------------|----------------------|-------|
| Case Length     | Fans Per Case | High Efficiency Fans |       |
|                 |               | 120 Volts            |       |
|                 |               | Amps                 | Watts |
| 6'              | 3             | 0.57                 | 65.0  |
| 8'              | 3             | 0.57                 | 65.0  |

| LIGHTING DATA |                |              |  |       |                      |       |
|---------------|----------------|--------------|--|-------|----------------------|-------|
| Case Length   | Lights Per Row | Light Length | Clearvoyant LED Lighting (per Light Row) |       |                      |       |
|               |                |              | Standard Power (Cornice or Shelf)        |       | High Power (Cornice) |       |
|               |                |              | 120 Volts                                |       | 120 Volts            |       |
|               |                |              | Amps                                     | Watts | Amps                 | Watts |
| 6'            | 2              | 3'           | 0.08                                     | 9.4   | 0.20                 | 23.8  |
| 8'            | 2              | 4'           | 0.10                                     | 11.8  | 0.25                 | 29.8  |

| GUIDELINES AND CONTROL SETTINGS |              |          |                                 |                 |                    |                              |
|---------------------------------|--------------|----------|---------------------------------|-----------------|--------------------|------------------------------|
| Application                     | BTUH/ft      |          | Superheat Set Point @ Bulb (°F) | Evaporator (°F) | Discharge Air (°F) | Discharge Air Velocity (FPM) |
|                                 | Conventional | Parallel |                                 |                 |                    |                              |
| Dairy/Deli/Cut Produce          | 1315         | 1259     | 6-8                             | 28              | 34                 | 350                          |
| Produce/Beverage                | 1167         | 1119     | 6-8                             | 32              | 37                 | 350                          |

| DEFROST CONTROLS |                   |                       |
|------------------|-------------------|-----------------------|
| Defrosts Per Day | Timed-Off Defrost |                       |
|                  | Fail-Safe (Min)   | Termination Temp (°F) |
| 6                | 42                | 42                    |

## NOTES:

- "---" indicates that feature is not an option on this case model and/or the data is not yet available.
- Listed BTUH/ft data represent unlighted shelves. For LED lighting, add 9 BTUH/ft per row of lighted shelving.
- BTUH load increases by 132 BTUH/ft when aftermarket merchandising accessories are utilized.
- Listed evaporator temperature represents unlighted shelves. For lighted shelves and/or aftermarket merchandising accessories, reduce the listed evaporator temperature by 2°F.
- Conventional Discharge Air Control – Recommended Settings: Cut-In Temp = Discharge Air + 2°F; Cut-Out Temp = Discharge Air - 2°F.
- Listed discharge air velocity represents the average velocity at the peak of defrost.
- Temperature and defrost settings listed above are recommended start-up settings. Final operational settings may need to be adjusted for the store condition in which the case operates.



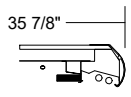
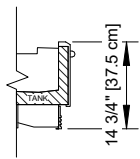
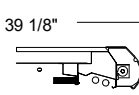
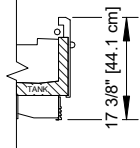
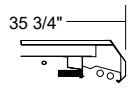
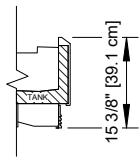
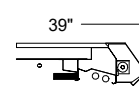
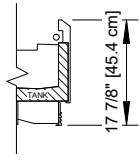
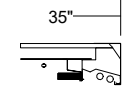
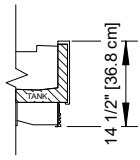
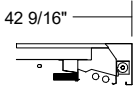
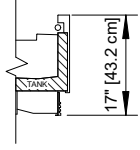
## 3NDML-NRG

ALL MEASUREMENTS ARE TAKEN PER ASHRAE-72-2005 SPECIFICATIONS. HILLPHOENIX REFRIGERATED DISPLAY CASES FOR SALE IN THE UNITED STATES MEET OR EXCEED DEPARTMENT OF ENERGY 2017 REQUIREMENTS.

| Rev Date: | Rev # | Revision Description: |
|-----------|-------|-----------------------|
| 6-18-18   | 2     | NEW STANDARDS         |
| 10-13-17  | 1     | DOE APPROVED          |

# 3NDML-NRG

Multi-Deck Merchandiser with Synerg-E™  
6' & 8' (Beverage / Dairy / Deli / Produce)

| CORNICE OPTIONS   | FRONT OPTIONS   |
|---|---|
| <p><u>CURVED CORNICE</u></p>  <p>35 7/8"</p>                   | <p><u>CLASSIC 2 STANDARD FRONT</u></p>  <p>14 3/4" [37.5 cm]<br/>14 3/4" [37.5 cm]</p>                    |
| <p><u>CURVED CORNICE WITH NIGHT COVER</u></p>  <p>39 1/8"</p>  | <p><u>CLASSIC 2 17" FRONT W/ &amp; W/O NOSE LIGHT</u></p>  <p>17 3/8" [44.1 cm]<br/>17 3/8" [44.1 cm]</p> |
| <p><u>FACETED CORNICE</u></p>  <p>35 3/4"</p>                  | <p><u>ANGLED FRONT</u></p>  <p>15 3/8" [39.1 cm]<br/>15 3/8" [39.1 cm]</p>                                |
| <p><u>FACETED CORNICE WITH NIGHT COVER</u></p>  <p>39"</p>   | <p><u>ANGLED FRONT W/ &amp; W/O NOSE LIGHT</u></p>  <p>17 7/8" [45.4 cm]<br/>17 7/8" [45.4 cm]</p>       |
| <p><u>FLAT CORNICE</u></p>  <p>35"</p>                       | <p><u>FLAT FRONT</u></p>  <p>14 1/2" [36.8 cm]<br/>14 1/2" [36.8 cm]</p>                                |
| <p><u>FLAT CORNICE WITH NIGHT COVER</u></p>  <p>42 9/16"</p> | <p><u>17" FLAT FRONT W/ &amp; W/O NOSE LIGHT</u></p>  <p>17" [43.2 cm]<br/>17" [43.2 cm]</p>            |



COMPONENT

ALL MEASUREMENTS ARE TAKEN PER ASHRAE-72-2005 SPECIFICATIONS. HILLPHOENIX REFRIGERATED DISPLAY CASES FOR SALE IN THE UNITED STATES MEET OR EXCEED DEPARTMENT OF ENERGY 2017 REQUIREMENTS.

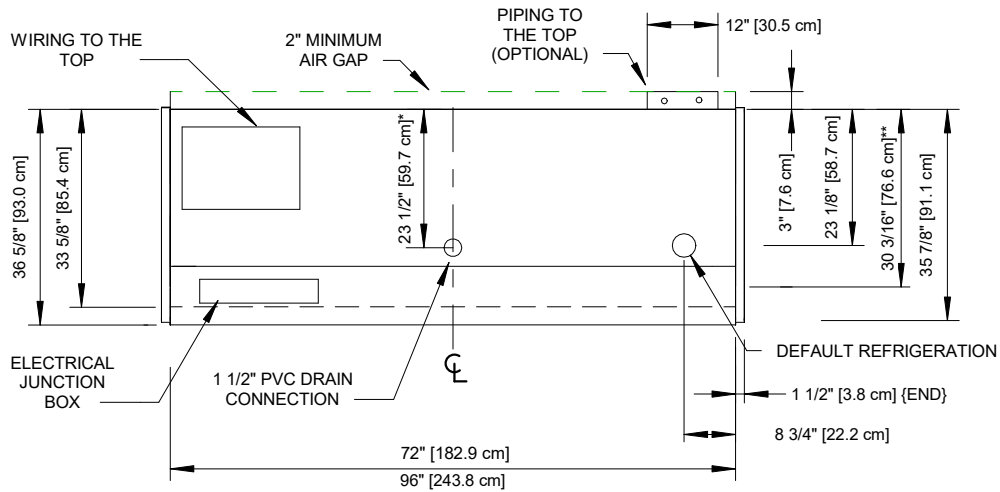
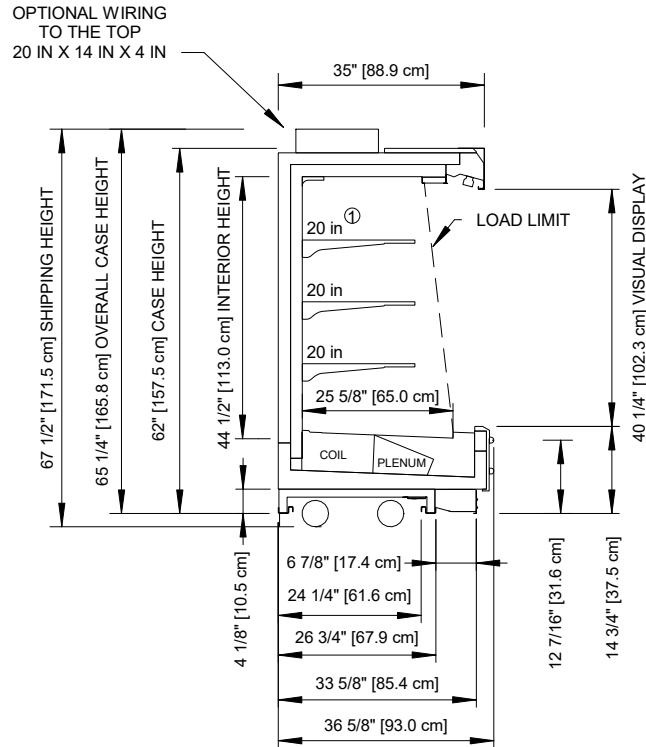
## 3NDML-NRG

| Rev Date: | Rev # | Revision Description: |
|-----------|-------|-----------------------|
| 6-18-18   | 2     | NEW STANDARDS         |
| 10-13-17  | 1     | DOE 2017              |

**Hillphoenix**  
A DOVER COMPANY

# 3NDML-NRG

Multi-Deck Merchandiser with Synerg-E™  
6' & 8' (Beverage / Dairy / Deli / Produce)



## NOTES:

- \* : STUB-UP AREA
- \*\* : RECOMMENDED STUP-UP CENTERLINE FOR ELECTRICAL AND HUB DRAINS
- Ⓛ : AVAILABLE SHELF SIZES: 10", 12", 14", 16", 18", 20", 22" & 24"

- Ends add approximately 1" to case height
- Back panels add approximately 1" to the rear of the case



ALL MEASUREMENTS ARE TAKEN PER ASHRAE-72-2005 SPECIFICATIONS. HILLPHOENIX REFRIGERATED DISPLAY CASES FOR SALE IN THE UNITED STATES MEET OR EXCEED DEPARTMENT OF ENERGY 2017 REQUIREMENTS.

## 3NDML-NRG

| Rev Date: | Rev # | Revision Description: |
|-----------|-------|-----------------------|
| 6-18-18   | 2     | NEW STANDARDS         |
| 10-13-17  | 1     | DOE APPROVED          |

**Hillphoenix**  
A DOVER COMPANY