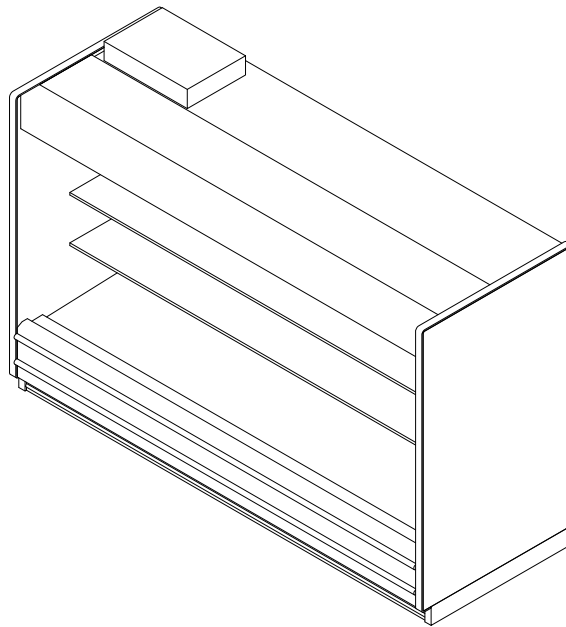


3NDML-NRG

Multi-Deck Merchandiser with Synerg-E™
6' & 8' (Beverage / Dairy / Deli / Produce)

GENERAL NOTES:

- "---" indicates that feature is not an option on this case model and/or the data is not yet available.



SHIPPING WEIGHT	
Case	Weight
3NDML-NRG	---



COMPONENT

ALL MEASUREMENTS ARE TAKEN PER ASHRAE-72-2005 SPECIFICATIONS. HILLPHOENIX REFRIGERATED DISPLAY CASES FOR SALE IN THE UNITED STATES MEET OR EXCEED DEPARTMENT OF ENERGY 2017 REQUIREMENTS.

3NDML-NRG

Rev Date:	Rev #	Revision Description:
10-16-18	3	DATA UPDATE
6-18-18	2	NEW STANDARDS

Hillphoenix
A DOVER COMPANY

ELECTRICAL DATA			
Case Length	Fans Per Case	High Efficiency Fans	
		120 Volts	
		Amps	Watts
6'	3	0.57	65.0
8'	3	0.57	65.0

LIGHTING DATA						
Case Length	Lights Per Row	Light Length	Clearvoyant LED Lighting (per Light Row)			
			Standard Power (Cornice or Shelf)		High Power (Cornice)	
			120 Volts		120 Volts	
			Amps	Watts	Amps	Watts
6'	2	3'	0.08	9.4	0.20	23.8
8'	2	4'	0.10	11.8	0.25	29.8

GUIDELINES AND CONTROL SETTINGS						
Application	BTUH/ft		Superheat Set Point @ Bulb (°F)	Evaporator (°F)	Discharge Air (°F)	Discharge Air Velocity (FPM)
	Conventional	Parallel				
Dairy/Deli/Cut Produce	1315	1259	6-8	28	34	350
Produce/Beverage	1167	1119	6-8	32	37	350

DEFROST CONTROLS		
Defrosts Per Day	Timed-Off Defrost	
	Fail-Safe (Min)	Termination Temp (°F)
6	42	47

NOTES:

- "—" indicates that feature is not an option on this case model and/or the data is not yet available.
- Listed BTUH/ft data represent unlighted shelves. For LED lighting, add 9 BTUH/ft per row of lighted shelving.
- BTUH load increases by 132 BTUH/ft when aftermarket merchandising accessories are utilized.
- Listed evaporator temperature represents unlighted shelves. For lighted shelves and/or aftermarket merchandising accessories, reduce the listed evaporator temperature by 2°F.
- Conventional Discharge Air Control – Recommended Settings: Cut-In Temp = Discharge Air + 2°F; Cut-Out Temp = Discharge Air - 2°F.
- Listed discharge air velocity represents the average velocity immediately after defrost.
- Temperature and defrost settings listed above are recommended start-up settings. Final operational settings may need to be adjusted for the store condition in which the case operates.



3NDML-NRG

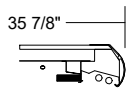
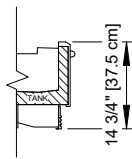
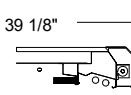
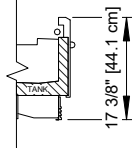
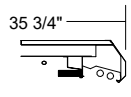
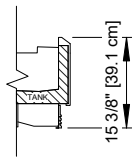
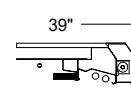
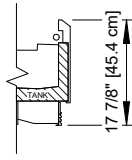
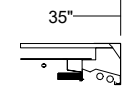
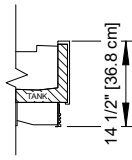
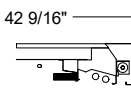
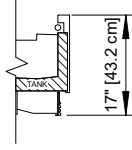
ALL MEASUREMENTS ARE TAKEN PER ASHRAE-72-2005 SPECIFICATIONS. HILLPHOENIX REFRIGERATED DISPLAY CASES FOR SALE IN THE UNITED STATES MEET OR EXCEED DEPARTMENT OF ENERGY 2017 REQUIREMENTS.

Rev Date:	Rev #	Revision Description:
10-16-18	3	DATA UPDATE
6-18-18	2	NEW STANDARDS



3NDML-NRG

Multi-Deck Merchandiser with Synerg-E™
6' & 8' (Beverage / Dairy / Deli / Produce)

CORNICE OPTIONS	FRONT OPTIONS
<p><u>CURVED CORNICE</u></p>  <p>35 7/8"</p>	<p><u>CLASSIC 2 STANDARD FRONT</u></p>  <p>14 3/4" [37.5 cm] 14 3/4" [37.5 cm]</p>
<p><u>CURVED CORNICE WITH NIGHT COVER</u></p>  <p>39 1/8"</p>	<p><u>CLASSIC 2 17" FRONT W/ & W/O NOSE LIGHT</u></p>  <p>17 3/8" [44.1 cm] 17 3/8" [44.1 cm]</p>
<p><u>FACETED CORNICE</u></p>  <p>35 3/4"</p>	<p><u>ANGLED FRONT</u></p>  <p>15 3/8" [39.1 cm] 15 3/8" [39.1 cm]</p>
<p><u>FACETED CORNICE WITH NIGHT COVER</u></p>  <p>39"</p>	<p><u>ANGLED FRONT W/ & W/O NOSE LIGHT</u></p>  <p>17 7/8" [45.4 cm] 17 7/8" [45.4 cm]</p>
<p><u>FLAT CORNICE</u></p>  <p>35"</p>	<p><u>FLAT FRONT</u></p>  <p>14 1/2" [36.8 cm] 14 1/2" [36.8 cm]</p>
<p><u>FLAT CORNICE WITH NIGHT COVER</u></p>  <p>42 9/16"</p>	<p><u>17" FLAT FRONT W/ & W/O NOSE LIGHT</u></p>  <p>17" [43.2 cm] 17" [43.2 cm]</p>



COMPONENT

ALL MEASUREMENTS ARE TAKEN PER ASHRAE-72-2005 SPECIFICATIONS. HILLPHOENIX REFRIGERATED DISPLAY CASES FOR SALE IN THE UNITED STATES MEET OR EXCEED DEPARTMENT OF ENERGY 2017 REQUIREMENTS.

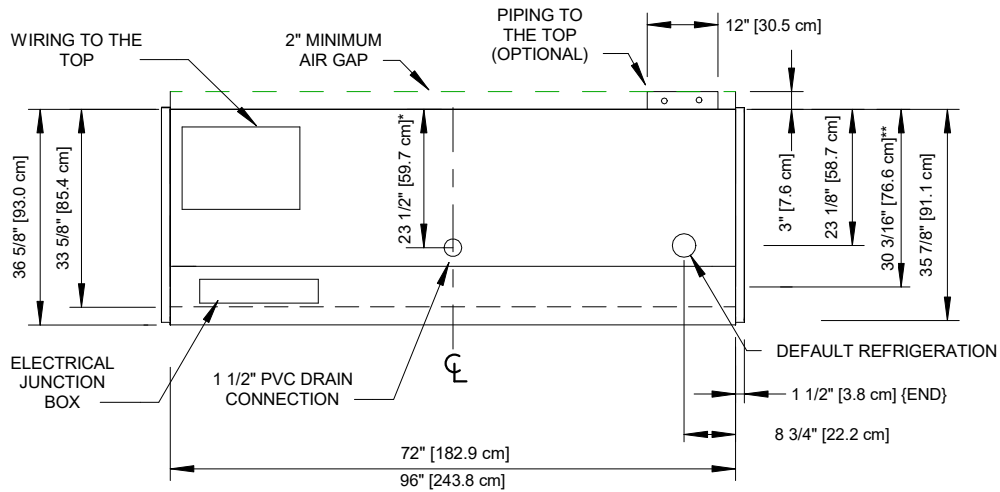
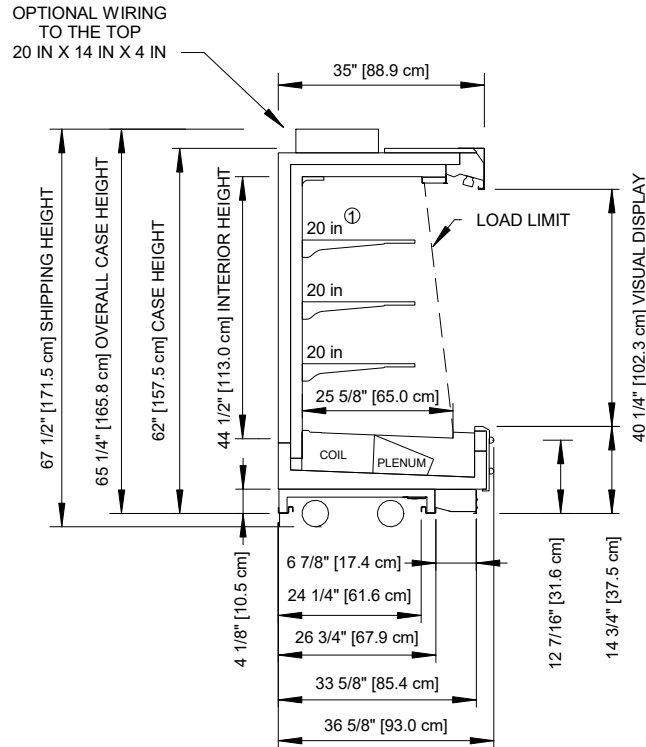
3NDML-NRG

Rev Date:	Rev #	Revision Description:
10-16-18	3	DATA UPDATE
6-18-18	2	NEW STANDARDS

Hillphoenix
A DOVER COMPANY

3NDML-NRG

Multi-Deck Merchandiser with Synerg-E™
6' & 8' (Beverage / Dairy / Deli / Produce)



NOTES:

- * : STUB-UP AREA
- ** : RECOMMENDED STUP-UP CENTERLINE FOR ELECTRICAL AND HUB DRAINS
- Ⓛ : AVAILABLE SHELF SIZES: 10", 12", 14", 16", 18", 20", 22" & 24"

- Ends add approximately 1" to case height
- Back panels add approximately 1" to the rear of the case



ALL MEASUREMENTS ARE TAKEN PER ASHRAE-72-2005 SPECIFICATIONS. HILLPHOENIX REFRIGERATED DISPLAY CASES FOR SALE IN THE UNITED STATES MEET OR EXCEED DEPARTMENT OF ENERGY 2017 REQUIREMENTS.

3NDML-NRG

Rev Date:	Rev #	Revision Description:
10-16-18	3	DATA UPDATE
6-18-18	2	NEW STANDARDS

