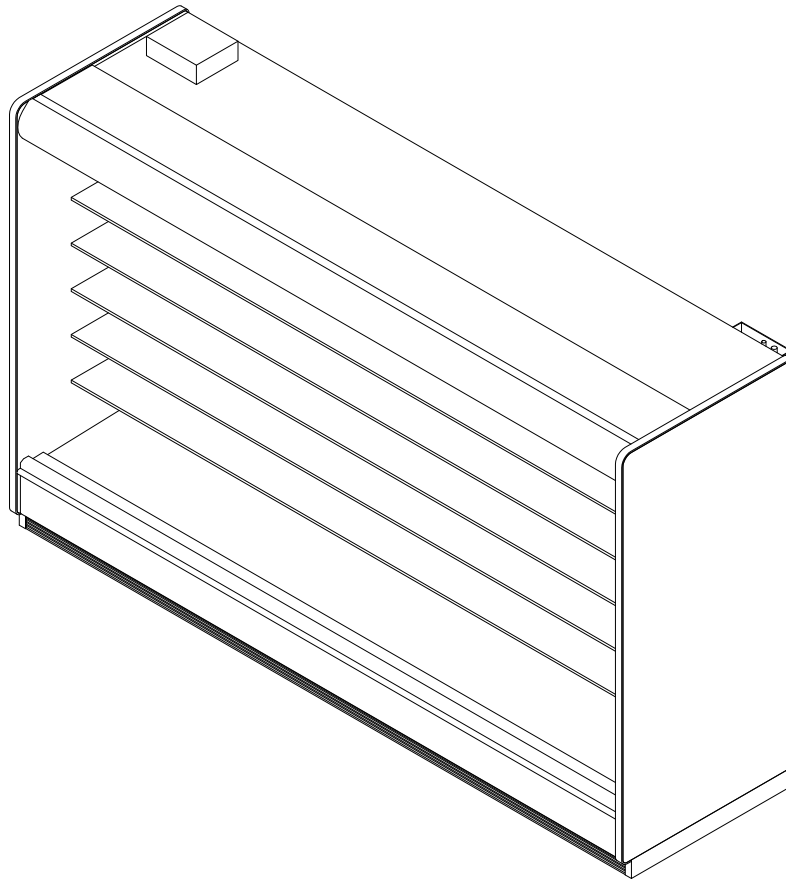


6DMLH-NRG

High Multi-Deck Merchandiser with Synerg-E™
4', 6', 8' & 12' (Beverage / Dairy / Deli / Produce)

GENERAL NOTES

- "---" indicates that the feature is not an option with this model and/or the data is not yet available.
- LED lights only.
- Maximum of 6 rows of standard output LED shelves.



| SHIPPING WEIGHT | |
|-----------------|--------|
| Case | Weight |
| 6DMLH-NRG | --- |

2017
DOE
COMPLIANT



COMPONENT

ALL MEASUREMENTS ARE TAKEN PER ASHRAE-72-2005 SPECIFICATIONS. HILLPHOENIX REFRIGERATED DISPLAY CASES FOR SALE IN THE UNITED STATES MEET OR EXCEED DEPARTMENT OF ENERGY 2017 REQUIREMENTS.

6DMLH-NRG

| Rev Date: | Rev # | Revision Description: |
|-----------|-------|-----------------------|
| 9-11-18 | 3 | DATA UPDATE |
| 5-31-18 | 2 | NEW STANDARDS |

Hillphoenix
A DOVER COMPANY

6DMLH-NRG

High Multi-Deck Merchandiser with Synerg-E™
4', 6', 8' & 12' (Beverage / Dairy / Deli / Produce)

| ELECTRICAL DATA | | | |
|-----------------|---------------|----------------------|-------|
| Case Length | Fans Per Case | High Efficiency Fans | |
| | | 120 Volts | |
| | | Amps | Watts |
| 4' | 2 | 0.38 | 43 |
| 6' | 3 | 0.57 | 65 |
| 8' | 3 | 0.57 | 65 |
| 12' | 4 | 0.76 | 87 |

| LIGHTING DATA | | | | | | |
|---------------|----------------|---------------|--|-------|----------------------|-------|
| Case Length | Lights per row | Lights Length | Clearvoyant LED Lighting (Per Light Row) | | | |
| | | | Standard Power (Cornice or Shelf) | | High Power (Cornice) | |
| | | | 120 Volts | | 120 Volts | |
| | | | Amps | Watts | Amps | Watts |
| 4' | 1 | 4' | 0.05 | 5.9 | 0.12 | 14.9 |
| 6' | 2 | 3' | 0.08 | 9.4 | 0.20 | 23.8 |
| 8' | 2 | 4' | 0.10 | 11.8 | 0.25 | 29.9 |
| 12' | 3 | 4' | 0.15 | 17.6 | 0.37 | 44.8 |

| GUIDELINES AND CONTROL SETTINGS | | | | | | |
|---------------------------------|--------------|----------|---------------------------------|-----------------|--------------------|------------------------------|
| Application | BTUH/ft | | Superheat Set Point @ Bulb (°F) | Evaporator (°F) | Discharge Air (°F) | Discharge Air Velocity (FPM) |
| | Conventional | Parallel | | | | |
| Dairy/Deli/Cut Produce | 1695 | 1475 | 6 - 8 | 28 | 31 | 260 |
| Bulk Produce/Beverage | 1545 | 1585 | 6 - 8 | 34 | 37 | 260 |

| DEFROST CONTROLS | | | |
|------------------------|------------------|-------------------|-----------------------|
| Application | Defrosts Per Day | Timed-Off Defrost | |
| | | Fail-Safe (Min) | Termination Temp (°F) |
| Dairy/Deli/Cut Produce | 6 | 45 | 47 |
| Bulk Produce/Beverage | 2 | 30 | 47 |

NOTES:

- "---" indicates that the feature is not an option with this model and/or the data is not yet available.
- Listed BTUH/ft data represent unlighted shelves. For LED lighting, add 9 BTUH/ft to determine Total Case Lighting BTUH Load, then divide by the length of the case to obtain a value in BTUH/ft. BTUH load increases by 132 BTUH/ft when aftermarket merchandising accessories are utilized.
- Listed evaporator temperature represents unlighted shelves. For lighted shelves and/or aftermarket merchandising accessories, reduce the listed evaporator temperature by 2°F.
- Conventional Discharge Air Control – Recommended Settings: Cut-In Temp = Discharge Air + 2°F; Cut-Out Temp = Discharge Air - 2°F.
- Listed discharge air velocity represents the average velocity immediately after defrost.
- Temperature and defrost settings listed above are recommended start-up settings. Final operational settings may need to be adjusted for the store conditions in which the case operates.
- The recommended evaporator temperatures may need to be adjusted based on system setup, store conditions, etc. The minimum recommended evaporator temperature is 4°F below the listed evaporator temperature.



ALL MEASUREMENTS ARE TAKEN PER ASHRAE-72-2005 SPECIFICATIONS. HILLPHOENIX REFRIGERATED DISPLAY CASES FOR SALE IN THE UNITED STATES MEET OR EXCEED DEPARTMENT OF ENERGY 2017 REQUIREMENTS.

6DMLH-NRG

| Rev Date: | Rev # | Revision Description: |
|-----------|-------|-----------------------|
| 9-11-18 | 3 | DATA UPDATE |
| 5-31-18 | 2 | NEW STANDARDS |



A DOVER COMPANY

6DMLH-NRG

High Multi-Deck Merchandiser with Synerg-E™
4', 6', 8' & 12' (Beverage / Dairy / Deli / Produce)

SECOND NATURE DATA

| Case Model | No. of Coils | Application | Front Sill Type | BTUH/FT (DR) | | GPM/ft (DR) | Supply Fluid Temp (°F) | Discharge Air Temp (°F) |
|------------|--------------|------------------------|-----------------|--------------|----------|-------------|------------------------|-------------------------|
| | | | | Conventional | Parallel | | | |
| 6DMLH-NRG | 1 | Dairy/Deli/Cut Produce | Standard | 1695 | 1585 | 0.42 | 20 | 31 |
| 6DMLH-NRG | 1 | Bulk Produce/Beverage | Standard | 1545 | 1475 | 0.17 | 20 | 37 |
| 6DMLH-NRG | 1 | Dairy/Deli/Cut Produce | Standard | 1695 | 1585 | 0.76 | 25 | 31 |
| 6DMLH-NRG | 1 | Bulk Produce/Beverage | Standard | 1545 | 1475 | 0.32 | 25 | 37 |

SECOND NATURE DATA

| Case Model | No. of Coils | Application | Front Sill Type | No. of Defrost | Timed-Off Defrost | | Warm Fluid Defrost | |
|------------|--------------|------------------------|-----------------|----------------|-------------------|-----------------------|--------------------|-----------------------|
| | | | | | Fail Safe (Min) | Termination Temp (°F) | Fail Safe (Min) | Termination Temp (°F) |
| 6DMLH-NRG | 1 | Dairy/Deli/Cut Produce | Standard | 6 | 60 | 47 | 26 | 49 |
| 6DMLH-NRG | 1 | Bulk Produce/Beverage | Standard | 6 | 60 | 47 | 26 | 49 |
| 6DMLH-NRG | 1 | Dairy/Deli/Cut Produce | Standard | 6 | 45 | 42 | 26 | 49 |
| 6DMLH-NRG | 1 | Bulk Produce/Beverage | Standard | 6 | 45 | 42 | 26 | 49 |



ALL MEASUREMENTS ARE TAKEN PER ASHRAE-72-2005 SPECIFICATIONS. HILLPHOENIX REFRIGERATED DISPLAY CASES FOR SALE IN THE UNITED STATES MEET OR EXCEED DEPARTMENT OF ENERGY 2017 REQUIREMENTS.

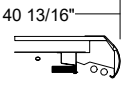
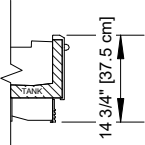
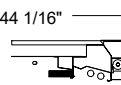
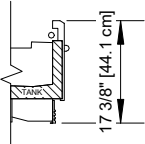
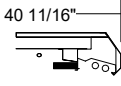
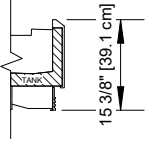
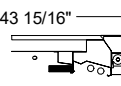
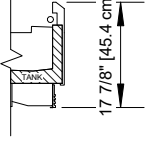
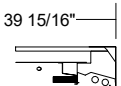
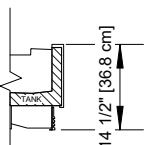
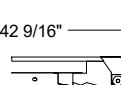
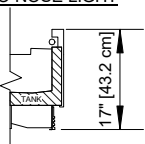
6DMLH-NRG

| Rev Date: | Rev # | Revision Description: |
|-----------|-------|-----------------------|
| 9-11-18 | 3 | DATA UPDATE |
| 5-31-18 | 2 | NEW STANDARDS |



6DMLH-NRG

High Multi-Deck Merchandiser with Synerg-E™
4', 6', 8' & 12' (Beverage / Dairy / Deli / Produce)

| CORNICE OPTIONS | FRONT OPTIONS |
|---|---|
| <p><u>CURVED CORNICE</u></p> <p>40 13/16"</p>  | <p><u>CLASSIC 2 STANDARD FRONT</u></p>  |
| <p><u>CURVED CORNICE WITH NIGHT COVER</u></p> <p>44 1/16"</p>  | <p><u>CLASSIC 2 17" FRONT W/ & W/O NOSE LIGHT</u></p>  |
| <p><u>FACETED CORNICE</u></p> <p>40 11/16"</p>  | <p><u>ANGLED FRONT</u></p>  |
| <p><u>FACETED CORNICE WITH NIGHT COVER</u></p> <p>43 15/16"</p>  | <p><u>ANGLED FRONT W/ & W/O NOSE LIGHT</u></p>  |
| <p><u>FLAT CORNICE</u></p> <p>39 15/16"</p>  | <p><u>FLAT FRONT</u></p>  |
| <p><u>FLAT CORNICE WITH NIGHT COVER</u></p> <p>42 9/16"</p>  | <p><u>17" FLAT FRONT W/ & W/O NOSE LIGHT</u></p>  |



COMPONENT

ALL MEASUREMENTS ARE TAKEN PER ASHRAE-72-2005 SPECIFICATIONS. HILLPHOENIX REFRIGERATED DISPLAY CASES FOR SALE IN THE UNITED STATES MEET OR EXCEED DEPARTMENT OF ENERGY 2017 REQUIREMENTS.

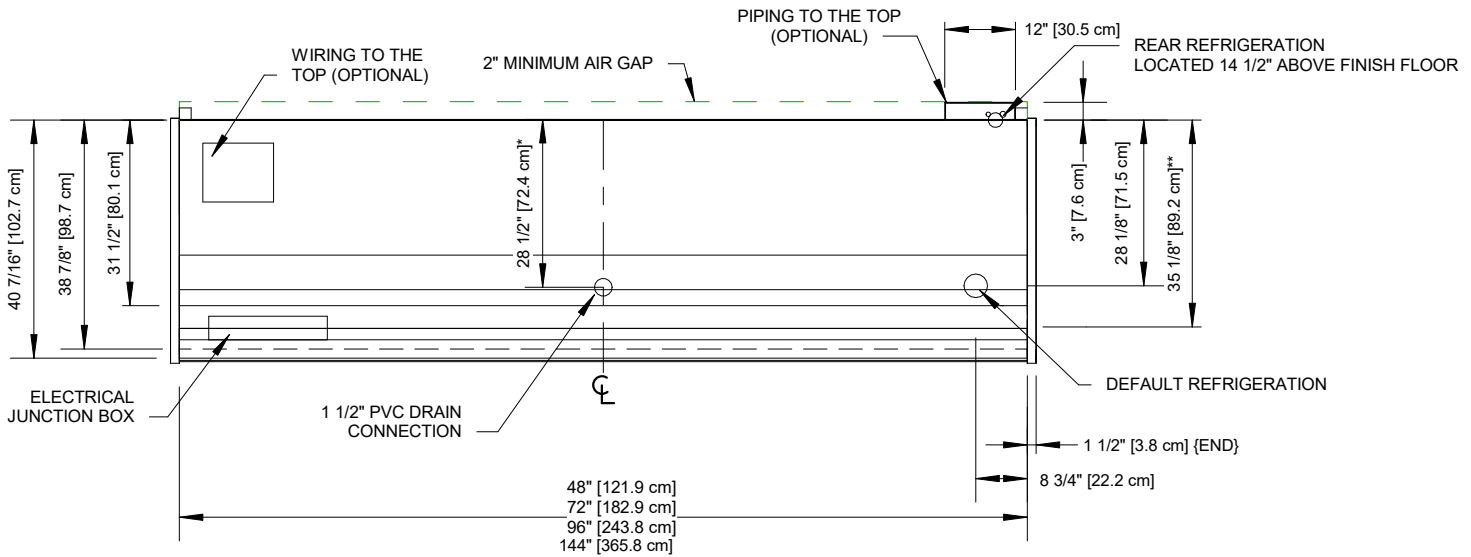
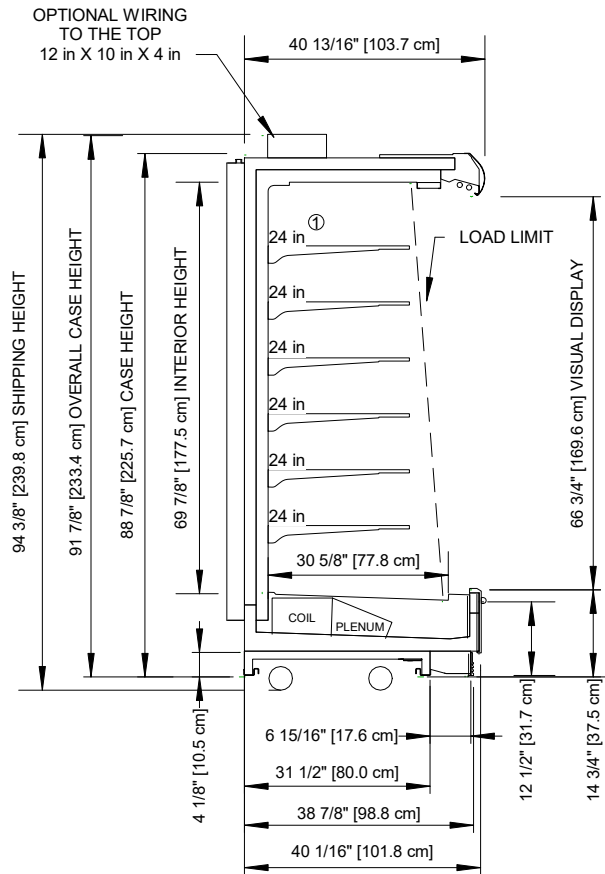
6DMLH-NRG

| Rev Date: | Rev # | Revision Description: |
|-----------|-------|-----------------------|
| 9-11-18 | 3 | DATA UPDATE |
| 5-31-18 | 2 | NEW STANDARDS |

Hillphoenix
A DOVER COMPANY

6DMLH-NRG

High Multi-Deck Merchandiser with Synerg-E™
4', 6', 8' & 12' (Beverage / Dairy / Deli / Produce)



NOTES:

- * : STUB-UP AREA
- ** : RECOMMENDED STUB-UP CENTERLINE FOR ELECTRICAL AND HUB DRAINS
- ① : AVAILABLE SHELF SIZES: 18", 20", 22" & 24"

- End add approximately 1" to case height



6DMLH-NRG

ALL MEASUREMENTS ARE TAKEN PER ASHRAE-72-2005 SPECIFICATIONS. HILLPHOENIX REFRIGERATED DISPLAY CASES FOR SALE IN THE UNITED STATES MEET OR EXCEED DEPARTMENT OF ENERGY 2017 REQUIREMENTS.

| Rev Date: | Rev # | Revision Description: |
|-----------|-------|-----------------------|
| 9-11-18 | 3 | DATA UPDATE |
| 5-31-18 | 2 | NEW STANDARDS |

Hillphoenix
A DOVER COMPANY