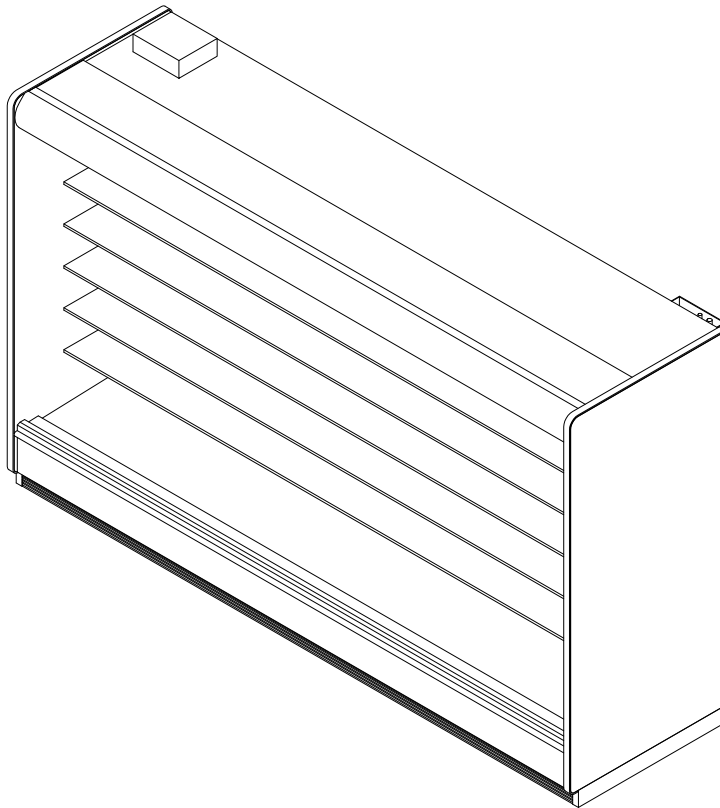


6DMLH-NRG

High Multi-Deck Merchandiser with Synerg-E™
4', 6', 8' & 12' (Beverage / Dairy / Deli / Produce)

GENERAL NOTES

- "---" indicates that the feature is not an option with this model and/or the data is not yet available.
- LED lights only.
- Maximum of 6 rows of standard output LED shelves.



SHIPPING WEIGHT	
Case	Weight
6DMLH-NRG	---



COMPONENT

ALL MEASUREMENTS ARE TAKEN PER ASHRAE-72-2005 SPECIFICATIONS. HILLPHOENIX REFRIGERATED DISPLAY CASES FOR SALE IN THE UNITED STATES MEET OR EXCEED DEPARTMENT OF ENERGY 2017 REQUIREMENTS.

6DMLH-NRG

Rev. Date	Rev. #	Rev. Title
1-9-19	4	ENDVIEW UPDATE
9-11-18	3	DATA UPDATE

Hillphoenix
A DOVER COMPANY

6DMLH-NRG

High Multi-Deck Merchandiser with Synerg-E™
4', 6', 8' & 12' (Beverage / Dairy / Deli / Produce)

ELECTRICAL DATA			
Case Length	Fans Per Case	High Efficiency Fans	
		120 Volts	
		Amps	Watts
4'	2	0.38	43
6'	3	0.57	65
8'	3	0.57	65
12'	4	0.76	87

LIGHTING DATA						
Case Length	Lights per row	Lights Length	Clearvoyant LED Lighting (Per Light Row)			
			Standard Power (Cornice or Shelf)		High Power (Cornice)	
			120 Volts		120 Volts	
			Amps	Watts	Amps	Watts
4'	1	4'	0.05	5.9	0.12	14.9
6'	2	3'	0.08	9.4	0.20	23.8
8'	2	4'	0.10	11.8	0.25	29.9
12'	3	4'	0.15	17.6	0.37	44.8

GUIDELINES AND CONTROL SETTINGS						
Application	BTUH/ft		Superheat Set Point @ Bulb (°F)	Evaporator (°F)	Discharge Air (°F)	Discharge Air Velocity (FPM)
	Conventional	Parallel				
Dairy/Deli/Cut Produce	1695	1475	6 - 8	28	31	260
Bulk Produce/Beverage	1545	1585	6 - 8	34	37	260

DEFROST CONTROLS			
Application	Defrosts Per Day	Timed-Off Defrost	
		Fail-Safe (Min)	Termination Temp (°F)
Dairy/Deli/Cut Produce	6	45	47
Bulk Produce/Beverage	2	30	47

NOTES:

- "---" indicates that the feature is not an option with this model and/or the data is not yet available.
- Listed BTUH/ft data represent unlighted shelves. For LED lighting, add 9 BTUH/ft to determine Total Case Lighting BTUH Load, then divide by the length of the case to obtain a value in BTUH/ft. BTUH load increases by 132 BTUH/ft when aftermarket merchandising accessories are utilized.
- Listed evaporator temperature represents unlighted shelves. For lighted shelves and/or aftermarket merchandising accessories, reduce the listed evaporator temperature by 2°F.
- Conventional Discharge Air Control – Recommended Settings: Cut-In Temp = Discharge Air + 2°F; Cut-Out Temp = Discharge Air - 2°F.
- Listed discharge air velocity represents the average velocity immediately after defrost.
- Temperature and defrost settings listed above are recommended start-up settings. Final operational settings may need to be adjusted for the store conditions in which the case operates.
- The recommended evaporator temperatures may need to be adjusted based on system setup, store conditions, etc. The minimum recommended evaporator temperature is 4°F below the listed evaporator temperature.



ALL MEASUREMENTS ARE TAKEN PER ASHRAE-72-2005 SPECIFICATIONS. HILLPHOENIX REFRIGERATED DISPLAY CASES FOR SALE IN THE UNITED STATES MEET OR EXCEED DEPARTMENT OF ENERGY 2017 REQUIREMENTS.

6DMLH-NRG

Rev. Date	Rev. #	Rev. Title
1-9-19	4	ENDVIEW UPDATE
9-11-18	3	DATA UPDATE

Hillphoenix
A DOVER COMPANY

6DMLH-NRG

High Multi-Deck Merchandiser with Synerg-E™
4', 6', 8' & 12' (Beverage / Dairy / Deli / Produce)

SECOND NATURE DATA								
Case Model	No. of Coils	Application	Front Sill Type	BTUH/FT (DR)		GPM/ft (DR)	Supply Fluid Temp (°F)	Discharge Air Temp (°F)
				Conventional	Parallel			
6DMLH-NRG	1	Dairy/Deli/Cut Produce	Standard	1695	1585	0.42	20	31
6DMLH-NRG	1	Bulk Produce/Beverage	Standard	1545	1475	0.17	20	37
6DMLH-NRG	1	Dairy/Deli/Cut Produce	Standard	1695	1585	0.76	25	31
6DMLH-NRG	1	Bulk Produce/Beverage	Standard	1545	1475	0.32	25	37

SECOND NATURE DATA								
Case Model	No. of Coils	Application	Front Sill Type	No. of Defrost	Timed-Off Defrost		Warm Fluid Defrost	
					Fail Safe (Min)	Termination Temp (°F)	Fail Safe (Min)	Termination Temp (°F)
6DMLH-NRG	1	Dairy/Deli/Cut Produce	Standard	6	60	47	26	49
6DMLH-NRG	1	Bulk Produce/Beverage	Standard	6	60	47	26	49
6DMLH-NRG	1	Dairy/Deli/Cut Produce	Standard	6	45	42	26	49
6DMLH-NRG	1	Bulk Produce/Beverage	Standard	6	45	42	26	49



ALL MEASUREMENTS ARE TAKEN PER ASHRAE-72-2005 SPECIFICATIONS. HILLPHOENIX REFRIGERATED DISPLAY CASES FOR SALE IN THE UNITED STATES MEET OR EXCEED DEPARTMENT OF ENERGY 2017 REQUIREMENTS.

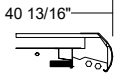
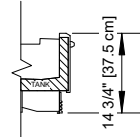
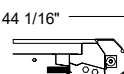
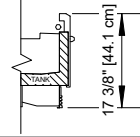
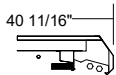
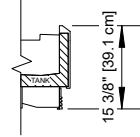
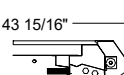
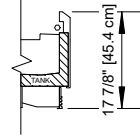
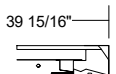
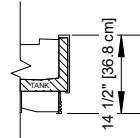
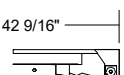
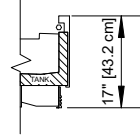
6DMLH-NRG

Rev. Date	Rev. #	Rev. Title
1-9-19	4	ENDVIEW UPDATE
9-11-18	3	DATA UPDATE

Hillphoenix
A DOVER COMPANY

6DMLH-NRG

High Multi-Deck Merchandiser with Synerg-E™
4', 6', 8' & 12' (Beverage / Dairy / Deli / Produce)

CORNICE OPTIONS	FRONT OPTIONS
<p><u>CURVED CORNICE</u></p>  <p>40 13/16"</p>	<p><u>CLASSIC 2 STANDARD FRONT</u></p>  <p>14 3/4" [37.5 cm] 17 3/8" [44.1 cm]</p>
<p><u>CURVED CORNICE WITH NIGHT COVER</u></p>  <p>44 1/16"</p>	<p><u>CLASSIC 2 17" FRONT W/ & W/O NOSE LIGHT</u></p>  <p>17 3/8" [44.1 cm] 17" [43.2 cm]</p>
<p><u>FACETED CORNICE</u></p>  <p>40 11/16"</p>	<p><u>ANGLED FRONT</u></p>  <p>15 3/8" [39.1 cm] 17 7/8" [45.4 cm]</p>
<p><u>FACETED CORNICE WITH NIGHT COVER</u></p>  <p>43 15/16"</p>	<p><u>ANGLED FRONT W/ & W/O NOSE LIGHT</u></p>  <p>17 7/8" [45.4 cm] 17" [43.2 cm]</p>
<p><u>FLAT CORNICE</u></p>  <p>39 15/16"</p>	<p><u>FLAT FRONT</u></p>  <p>14 1/2" [36.8 cm] 17" [43.2 cm]</p>
<p><u>FLAT CORNICE WITH NIGHT COVER</u></p>  <p>42 9/16"</p>	<p><u>17" FLAT FRONT W/ & W/O NOSE LIGHT</u></p>  <p>17" [43.2 cm]</p>



ALL MEASUREMENTS ARE TAKEN PER ASHRAE-72-2005 SPECIFICATIONS. HILLPHOENIX REFRIGERATED DISPLAY CASES FOR SALE IN THE UNITED STATES MEET OR EXCEED DEPARTMENT OF ENERGY 2017 REQUIREMENTS.

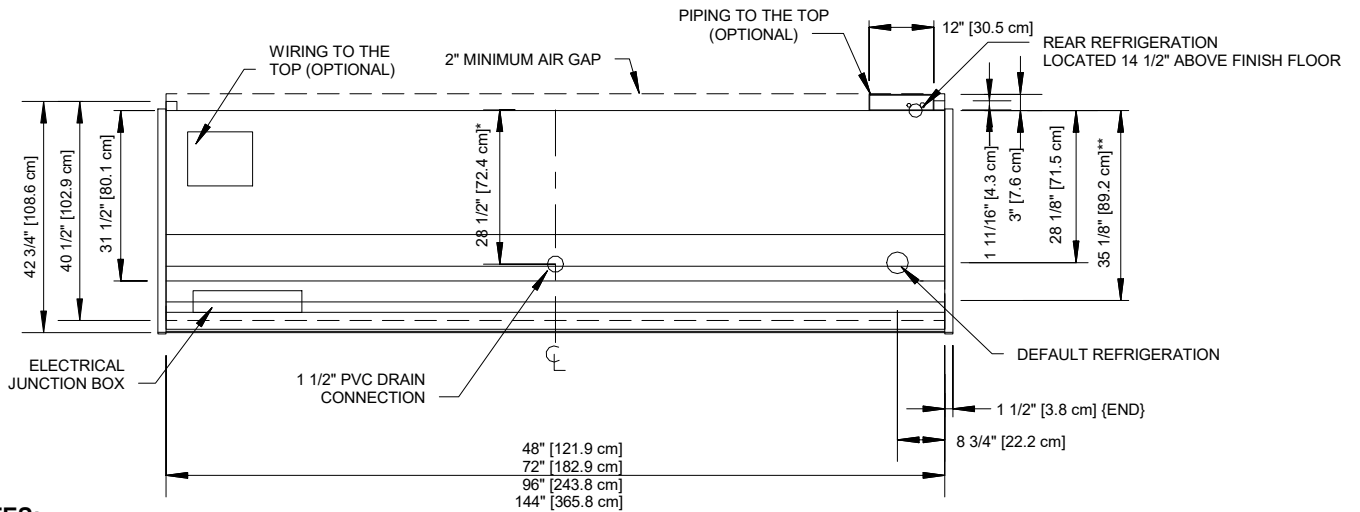
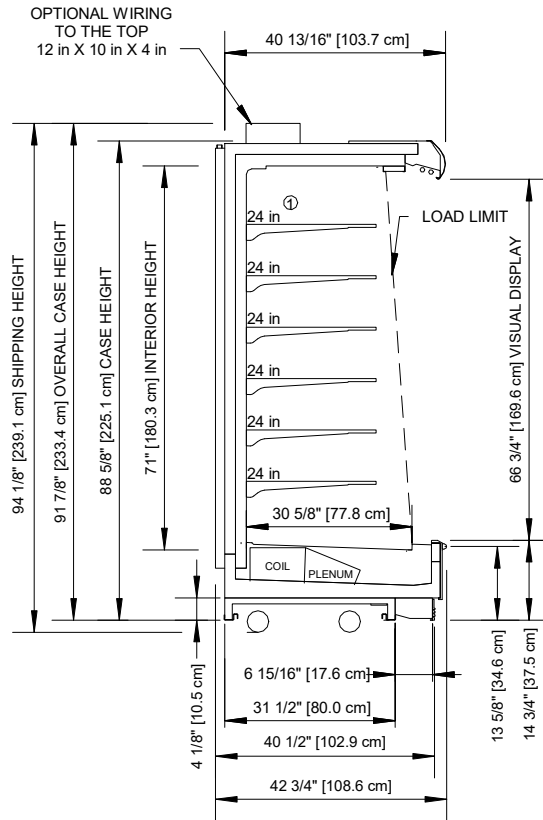
6DMLH-NRG

Rev. Date	Rev. #	Rev. Title
1-9-19	4	ENDVIEW UPDATE
9-11-18	3	DATA UPDATE

Hillphoenix
A DOVER COMPANY

6DMLH-NRG

High Multi-Deck Merchandiser with Synerg-E™
4', 6', 8' & 12' (Beverage / Dairy / Deli / Produce)



NOTES:

- * : STUB-UP AREA
- ** : RECOMMENDED STUB-UP CENTERLINE FOR ELECTRICAL AND HUB DRAINS
- ① : AVAILABLE SHELF SIZES: 18", 20", 22" & 24"

- End add approximately 1" to case height



ALL MEASUREMENTS ARE TAKEN PER ASHRAE-72-2005 SPECIFICATIONS. HILLPHOENIX REFRIGERATED DISPLAY CASES FOR SALE IN THE UNITED STATES MEET OR EXCEED DEPARTMENT OF ENERGY 2017 REQUIREMENTS.

6DMLH-NRG

Rev. Date	Rev. #	Rev. Title
1-9-19	4	ENDVIEW UPDATE
9-11-18	3	DATA UPDATE

