

REFERENCE NOTES FOR ENGINEERING DATA

- "0.00" indicates that data is not available yet
- Listed BTUH/ft data represent unlighted shelves. For LED lighting, add 9 BTUH/ft to determine Total Case Lighting BTUH Load, then divide by the length of the case to obtain a value in BTUH/ft. BTUH load increases by 132 BTUH/ft when aftermarket merchandising accessories are utilized.
- Listed evaporator temperature represents unlighted shelves. For lighted shelves and/or aftermarket merchandising accessories, reduce the listed evaporator temperature by 2°F.
- Conventional Discharge Air Control – Recommended Settings: Cut-In Temp = Discharge Air + 2°F; Cut-Out Temp = Discharge Air - 2°F.
- Listed discharge air velocity represents the average velocity at the peak of defrost.
- Temperature and defrost settings listed below are recommended start-up settings. Final operational settings may need to be adjusted for the store conditions in which the case operates.
- The recommended evaporator temperatures may need to be adjusted based on system setup, store conditions, etc. The minimum recommended evaporator temperature is 4°F below the listed evaporator temperature.
- LED lights only.
- Maximum of 6 rows of Standard Output LED shelves.

REFERENCE NOTES FOR CROSS SECTIONS

- * : STUB-UP AREA
- ** : RECOMMENDED STUB-UP CENTERLINE FOR ELECTRICAL AND HUB DRAINS

- End add approximately 1" to case height
- Wiring to the top adds approximately 4" to case height
- A 2" minimum air gap is required between the rear of the case and a wall
- Back panels add approximately 1" to the rear of the case
- Suction line 7/8"
- Available shelf sizes: 10", 12", 14", 16", 18", 20", 22" & 24"
- Casters add approximately 2 1/4" to case height
- All measurements are taken per ASHRAE-72-2005 specifications. Hillphoenix refrigerated display cases for sale in the United States meet or exceed department of energy 2017 efficiency requirements.



COMPONENT

ALL MEASUREMENTS ARE TAKEN PER ASHRAE-72-2005 SPECIFICATIONS. HILLPHOENIX REFRIGERATED DISPLAY CASES FOR SALE IN THE UNITED STATES MEET OR EXCEED DEPARTMENT OF ENERGY 2017 REQUIREMENTS.

6DMLH-NRG

Rev Date:	Rev #	Revision Description:
10-13-17	1	DOE APPROVED

6DMLH-NRG

High Multi-Deck Merchandiser with Synerg-E™
4', 6', 8' & 12' (Beverage / Dairy / Deli / Meat / Produce)

ELECTRICAL DATA			
Case Length	Fans Per Case	High Efficiency Fans	
		120 Volts	
		Amps	Watts
4'	2	0.38	43.0
6'	3	0.57	65.0
8'	3	0.57	65.0
12'	4	0.76	87.0

LIGHTING DATA						
Case Length	Lights Per Row	Light Length	Clearvoyant v4 LED Lighting (Per Lighting Row)			
			Standard Power		High Power	
			Cornice or Shelf		Cornice Only	
			120 Volts		120 Volts	
			Amps	Watts	Amps	Watts
4'	1	4'	0.05	5.9	0.12	14.9
6'	2	3'	0.08	9.4	0.20	23.8
8'	2	4'	0.10	11.8	0.25	29.9
12'	3	4'	0.15	17.6	0.37	44.8

GUIDELINES and CONTROL SETTINGS						
Application	BTUH/ft		Superheat Set Point @ Bulb	Evaporator	Discharge Air	Discharge Air Velocity
	Conventional	Parallel				
Dairy/Deli/Cut Produce	1695	1585	6-8 °F	28 °F	31 °F	260 FPM
Bulk Produce/Beverage	1545	1475	6-8 °F	34 °F	37 °F	260 FPM

DEFROST CONTROLS			
Application	Defrosts Per Day	Timed-Off Defrost	
		Fail-Safe	Termination Temp
Dairy/Deli/Cut Produce	6	45 (Min)	42 °F



ALL MEASUREMENTS ARE TAKEN PER ASHRAE-72-2005 SPECIFICATIONS. HILLPHOENIX REFRIGERATED DISPLAY CASES FOR SALE IN THE UNITED STATES MEET OR EXCEED DEPARTMENT OF ENERGY 2017 REQUIREMENTS.

6DMLH-NRG

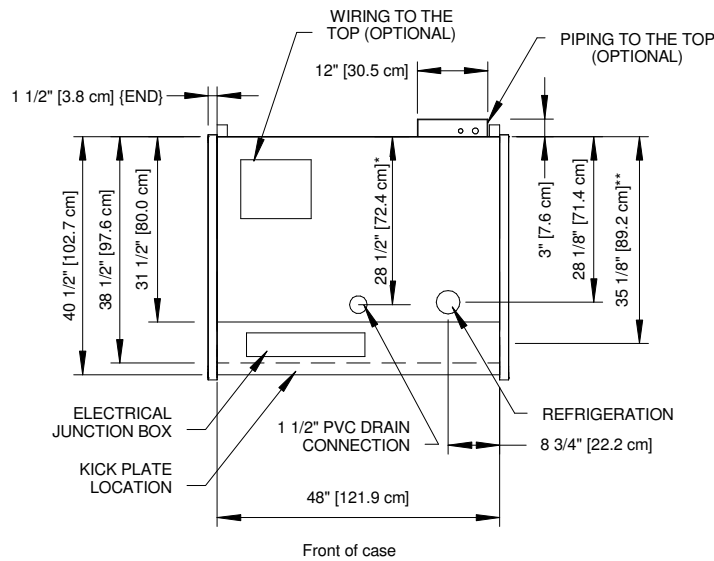
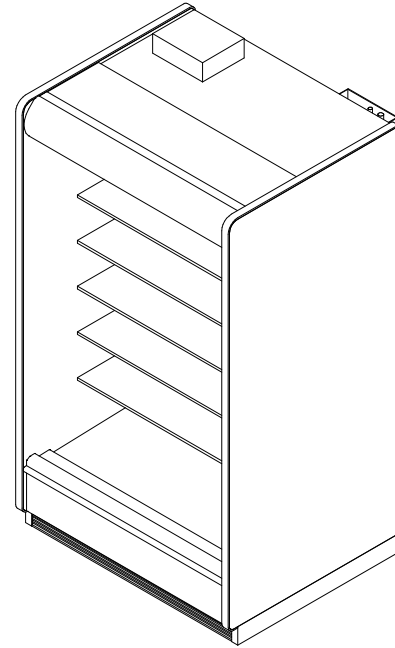
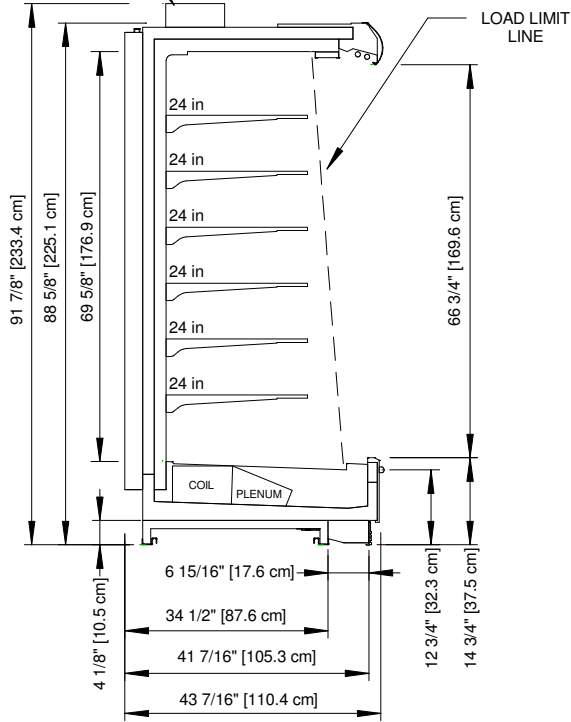
Rev Date:	Rev #	Revision Description:
10-13-17	1	DOE APPROVED



6DMLH-NRG

High Multi-Deck Merchandiser with Synerg-E™
4', 6', 8' & 12' (Beverage / Dairy / Deli / Meat / Produce)

OPTIONAL WIRING
TO THE TOP
12 in X 10 in X 4 in



2017
DOE
COMPLIANT



COMPONENT

ALL MEASUREMENTS ARE TAKEN PER ASHRAE-72-2005 SPECIFICATIONS. HILLPHOENIX REFRIGERATED DISPLAY CASES FOR SALE IN THE UNITED STATES MEET OR EXCEED DEPARTMENT OF ENERGY 2017 REQUIREMENTS.

6DMLH-NRG 4'

Rev Date:	Rev #	Revision Description:
10-13-17	1	DOE APPROVED

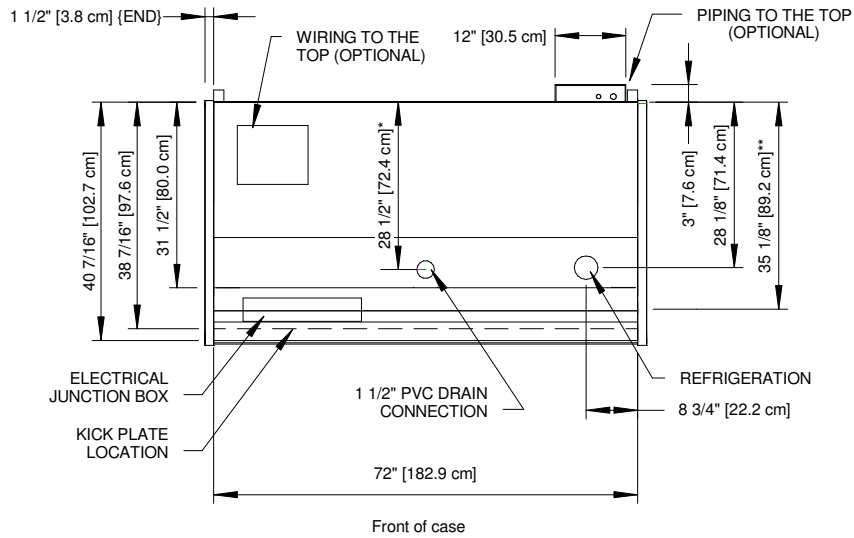
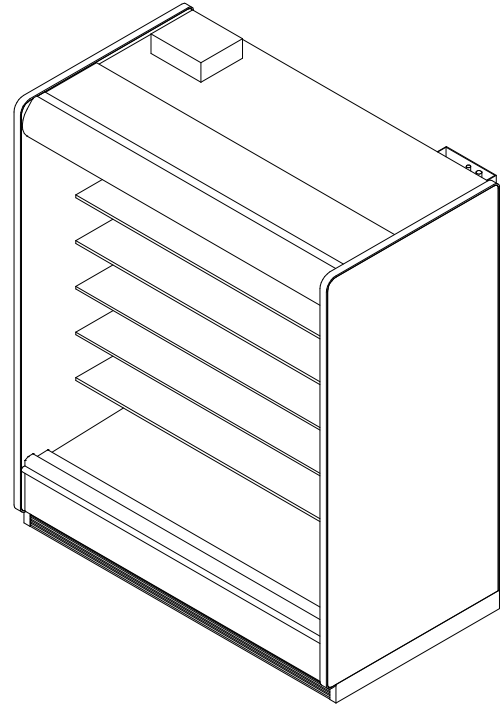
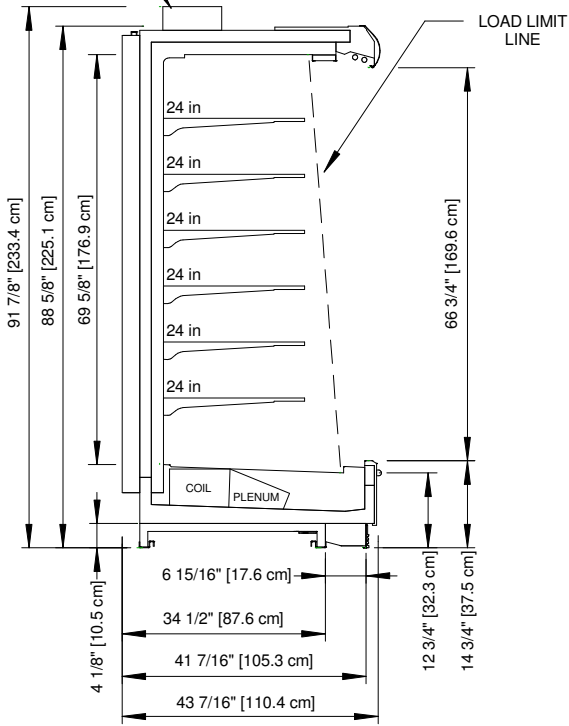
Hillphoenix

A DOVER COMPANY

6DMLH-NRG

High Multi-Deck Merchandiser with Synerg-E™
4', 6', 8' & 12' (Beverage / Dairy / Deli / Meat / Produce)

OPTIONAL WIRING
TO THE TOP
12 in X 10 in X 4 in



6DMLH-NRG 6'

ALL MEASUREMENTS ARE TAKEN PER ASHRAE-72-2005 SPECIFICATIONS. HILLPHOENIX REFRIGERATED DISPLAY CASES FOR SALE IN THE UNITED STATES MEET OR EXCEED DEPARTMENT OF ENERGY 2017 REQUIREMENTS.

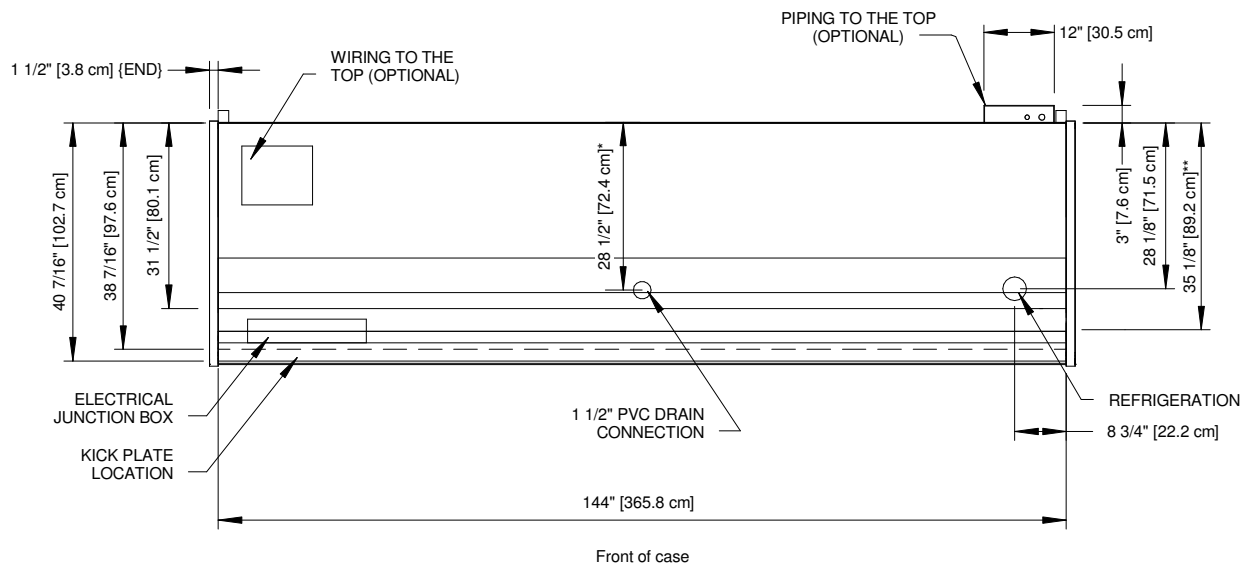
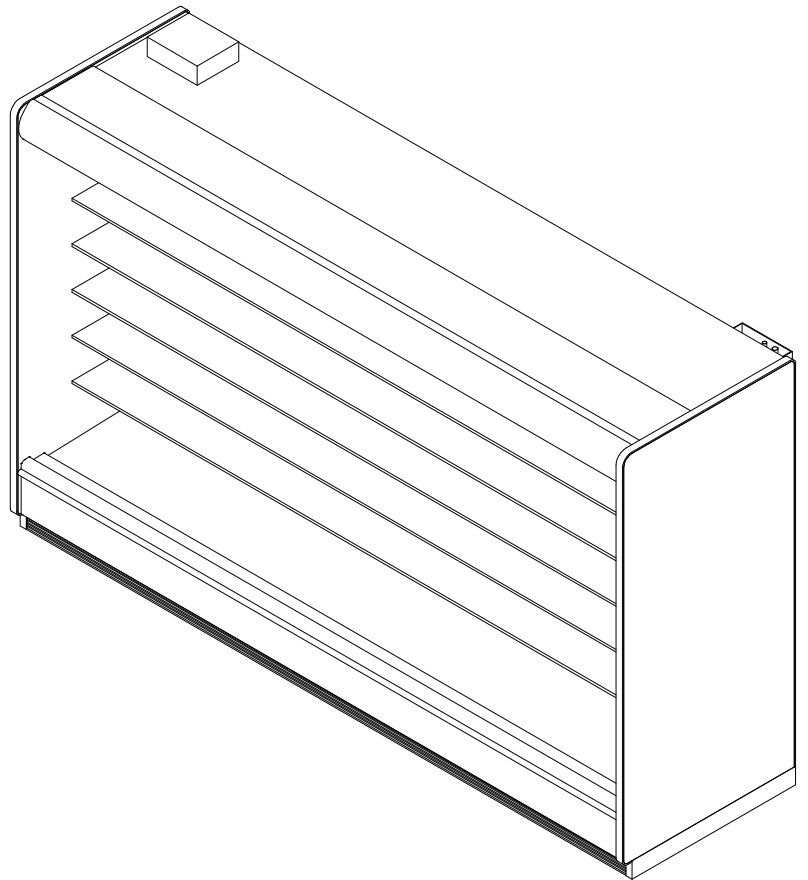
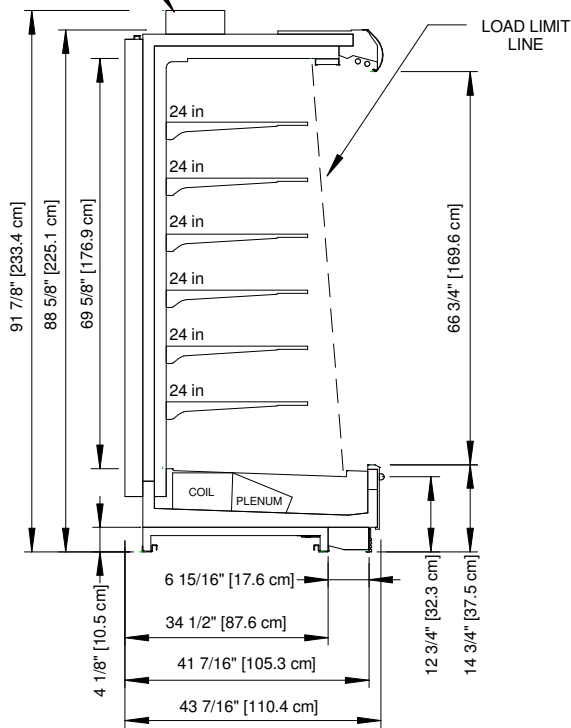
Rev Date:	Rev #	Revision Description:
10-13-17	1	DOE APPROVED



6DMLH-NRG

High Multi-Deck Merchandiser with Synerg-E™ 4', 6', 8' & 12' (Beverage / Dairy / Deli / Meat / Produce)

OPTIONAL WIRING TO THE TOP
12 in X 10 in X 4 in



2017
DOE
COMPLIANT

NSF

UL US

COMPONENT

ALL MEASUREMENTS ARE TAKEN PER ASHRAE-72-2005 SPECIFICATIONS. HILLPHOENIX REFRIGERATED DISPLAY CASES FOR SALE IN THE UNITED STATES MEET OR EXCEED DEPARTMENT OF ENERGY 2017 REQUIREMENTS.

6DMLH-NRG 12'

Rev Date:	Rev #	Revision Description:
10-13-17	1	DOE APPROVED

Hillphoenix

A DOVER COMPANY