

REFERENCE NOTES FOR ENGINEERING DATA

- "0.00" indicates that data is not available yet.
- Defrost heater 3-phase load is unbalanced.
- 3-Phase defrost heater data listed represent the maximum amps per phase.
- Data listed for Optimax Pro lighting represents the low power option. High power lights are also available.
- Anti-condensate heat values represent a door with no heat.
- Listed discharge air velocity represents the average velocity at the peak of defrost.
- Temperature and defrost settings listed below are recommended start-up settings. Final operational settings may need to be adjusted for the store conditions in which the case operates.
- The recommended evaporator temperatures may need to be adjusted based on system setup, store conditions, etc. The minimum recommended evaporator is 4° below the listed evaporator temperature.
- No run-off time required for electric defrost.
- Typical electric defrost time is 20 minutes when ambient conditions are 75 °F/55% RH.

REFERENCE NOTES FOR CROSS SECTIONS

* : STUB-UP AREA

** : RECOMMENDED STUB-UP CENTERLINE FOR ELECTRICAL AND HUB DRAINS

- Ends add approximately 1" to case height, 1/2" to the back & 1" to the front.
- Wiring to the top adds approximately 4" to case height.
- A 2" minimum air gap is required between the rear of the case and the wall.
- Back panels add approximately 1" to the rear of the case.
- Suction line: (all lengths) - 1/2"
- Liquid line (all lengths)- 3/8", Liquid Lines with Hot Gas Defrost (all lengths) - 1/2"
- Available shelf sizes: solid shelves, 27", PVC shelf tag molding is required.
- Castors add approximately 2 1/4" to case height.



ALL MEASUREMENTS ARE TAKEN PER ASHRAE-72-2005 SPECIFICATIONS. HILLPHOENIX REFRIGERATED DISPLAY CASES FOR SALE IN THE UNITED STATES MEET OR EXCEED DEPARTMENT OF ENERGY 2017 REQUIREMENTS.

6RZLH

Rev Date:	Rev #	Revision Description:
10-15-2017	2	DOE 2017

ELECTRICAL DATA

Case Length	Fans Per Case	High Efficiency Fans		Drain Heaters		Defrost Heaters (1-Phase)				Defrost Heaters (3-Phase)			
		120 Volts		120 Volts		208 Volts		240 Volts		208 Volts		240 Volts	
		Amps	Watts	Amps	Watts	Amps	Watts	Amps	Watts	Amps	Watts	Amps	Watts
2 Door	2	0.60	52.0	1.27	152.0	7.46	1552	8.62	2068	4.31	1552	4.97	2068
3 Door	3	1.00	78.0	1.43	171.0	10.93	2274	12.58	3018	6.31	2274	7.26	3018
4 Door	4	1.30	104.0	1.89	227.0	14.35	2984	16.63	3992	8.28	2984	9.60	3992
5 Door	5	1.60	130.0	2.29	275.0	17.50	3640	20.17	4840	10.10	3640	11.64	4840

LIGHTING DATA

Case Length	LED Lighting			
	Optimax Pro		GE Immersion	
	120 Volts		120 Volts	
	Amps	Watts	Amps	Watts
2 Door	0.36	43.0	0.33	39.0
3 Door	0.53	64.0	0.48	58.0
4 Door	0.71	85.0	0.64	77.0
5 Door	0.88	106.0	0.8	96.0

ANTI-CONDENSATE DATA

Case Length	Combined Anti-Condensate Circuits				Heated Doors		Individual Circuits		101-LE Door Frame	
	Anthony 101 LE Door Frame									
	ELMD, ELMH or 190 Doors									
	Heated Option (IG and Rails)		Low E (Heated Rails Only)							
	120 Volts		120 Volts							
	Amps	Watts	Amps	Watts	Amps	Watts	Amps	Watts	Amps	Watts
2 Door	2	231	1.7	204	0.84	72.00	0.38	46.00	1.32	158.00
3 Door	3	330	2.42	290	1.26	108.00	0.57	68.00	1.85	222.00
4 Door	4.09	434	3.17	380	1.68	145.00	0.76	91.00	2.41	289.00
5 Door	5.02	531	3.87	464	2.10	181.00	0.95	114.00	2.92	350.00

GUIDELINES and CONTROL SETTINGS

Application	Door	BTUH/door		Evaporator (°F)	Superheat Set Point @ Bulb (F)	Discharge Air (F)	Discharge Air Velocity (FPM)
		Conventional	Parallel				
Frozen Food	ELMD	1359	1320	-11 °F	3-5	-4	350
Frozen Food	Eliminaator/Eliminaator 2	1398	1358	-17 °F	3-5	-10	350
Ice Cream	ELMD	1462	1420	-17 °F	3-5	-10	350
Ice Cream	Eliminaator/Eliminaator 2	1295	1258	-11 °F	3-5	-4	350

DEFROST CONTROLS

Defrost Per Day	Run-Off Time (Min)	Electric Defrost		Hot Gas Defrost	
		Fail-Safe	Termination Temp (°F)	Fail-Safe	Termination Temp (°F)
1	13-15	46	50 °F	24	73 °F



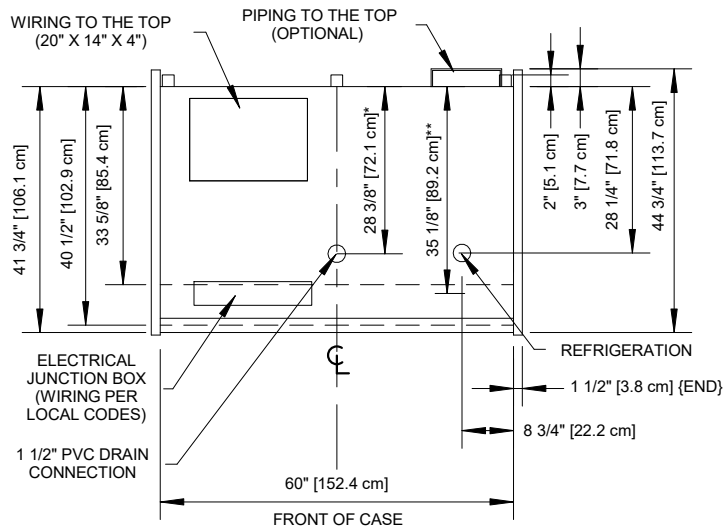
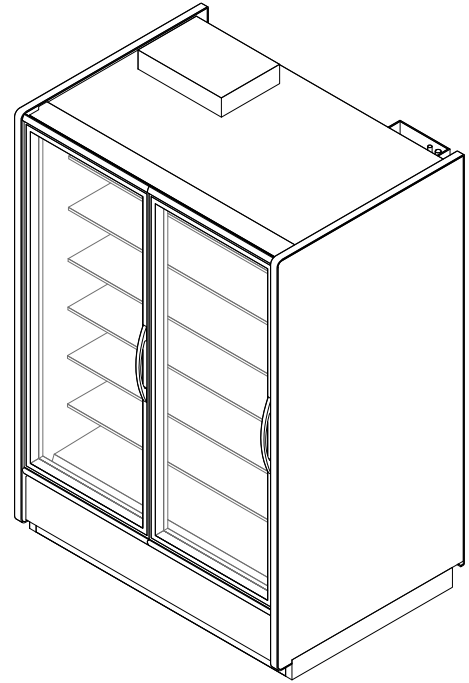
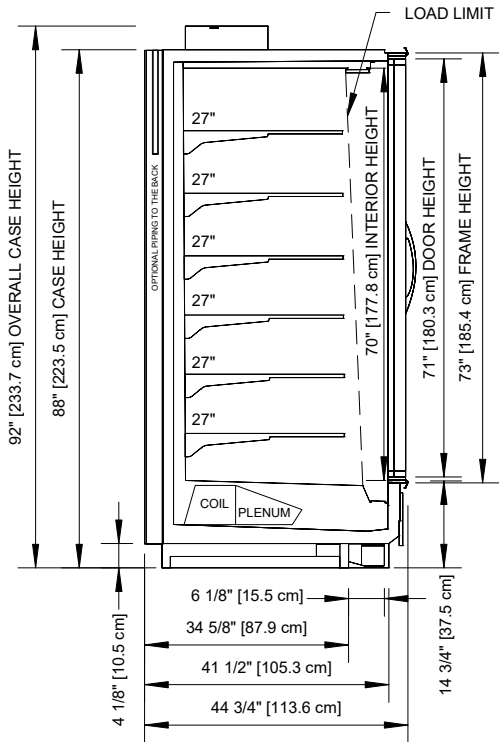
6RZLH

ALL MEASUREMENTS ARE TAKEN PER ASHRAE-72-2005 SPECIFICATIONS. HILLPHOENIX REFRIGERATED DISPLAY CASES FOR SALE IN THE UNITED STATES MEET OR EXCEED DEPARTMENT OF ENERGY 2017 REQUIREMENTS.

Rev Date:	Rev #	Revision Description:
10-15-2017	2	DOE 2017

6RZLH

Reach-In Merchandiser
2, 3, 4 & 5 Door (Frozen Food)



6RZLH_2DR

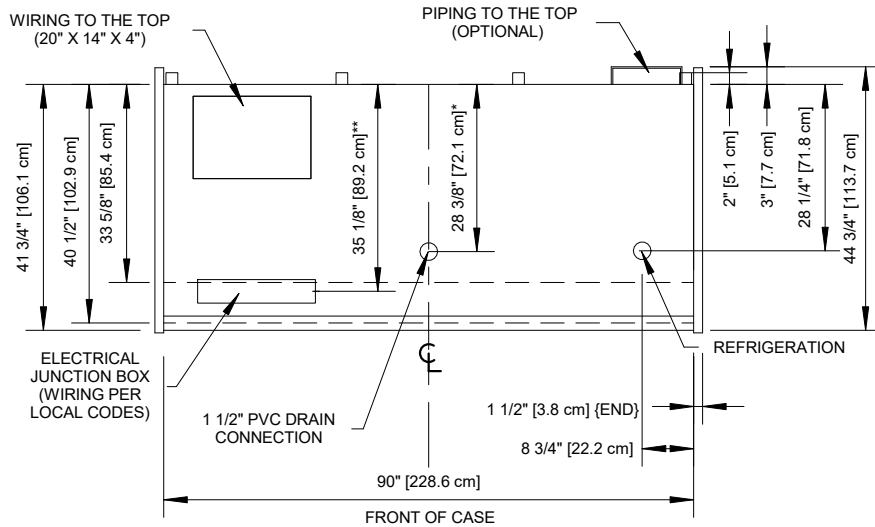
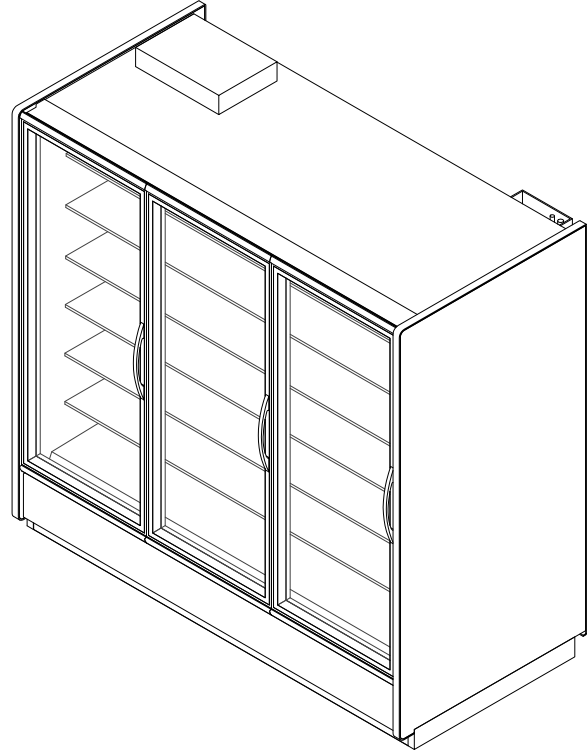
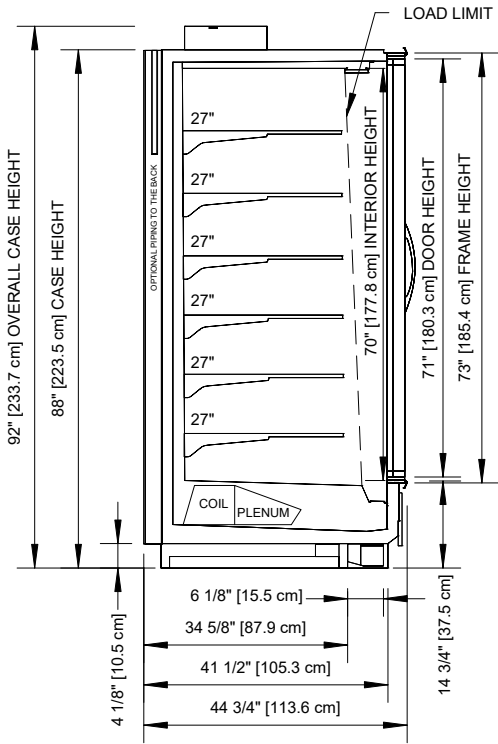
ALL MEASUREMENTS ARE TAKEN PER ASHRAE-72-2005 SPECIFICATIONS. HILLPHOENIX REFRIGERATED DISPLAY CASES FOR SALE IN THE UNITED STATES MEET OR EXCEED DEPARTMENT OF ENERGY 2017 REQUIREMENTS.

Rev Date:	Rev #	Revision Description:
10-15-2017	2	DOE 2017



6RZLH

Reach-In Merchandiser
2, 3, 4 & 5 Door (Frozen Food)



COMPONENT

ALL MEASUREMENTS ARE TAKEN PER ASHRAE-72-2005 SPECIFICATIONS. HILLPHOENIX REFRIGERATED DISPLAY CASES FOR SALE IN THE UNITED STATES MEET OR EXCEED DEPARTMENT OF ENERGY 2017 REQUIREMENTS.

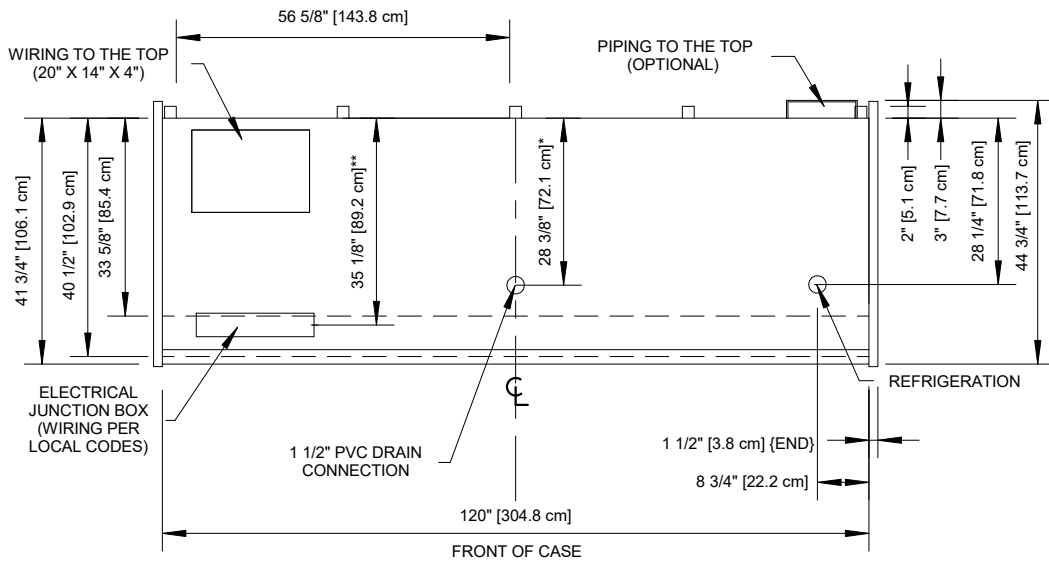
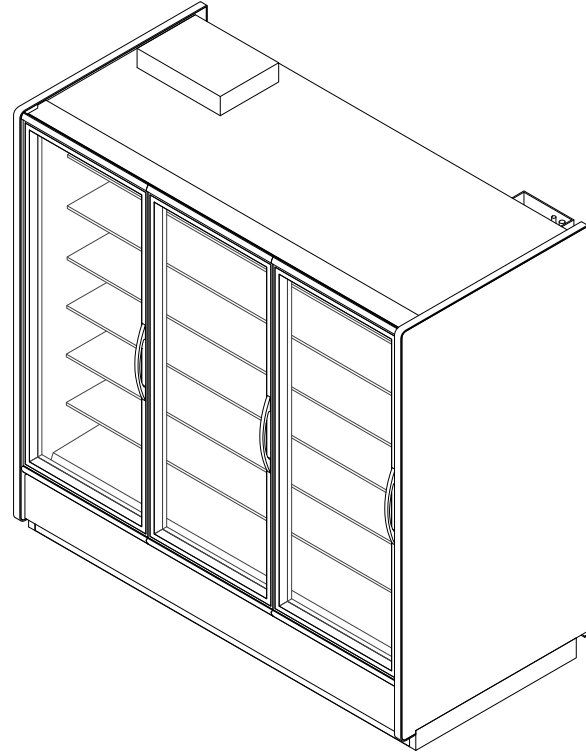
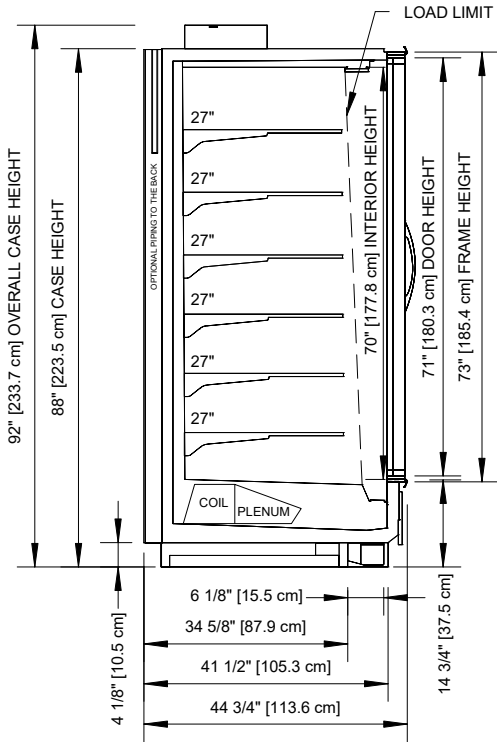
6RZLH_3DR

Rev Date:	Rev #	Revision Description:
10-15-2017	2	DOE 2017

Hillphoenix
A DOVER COMPANY

6RZLH

Reach-In Merchandiser
2, 3, 4 & 5 Door (Frozen Food)



COMPONENT

ALL MEASUREMENTS ARE TAKEN PER ASHRAE-72-2005 SPECIFICATIONS. HILLPHOENIX REFRIGERATED DISPLAY CASES FOR SALE IN THE UNITED STATES MEET OR EXCEED DEPARTMENT OF ENERGY 2017 REQUIREMENTS.

6RZLH_4DR

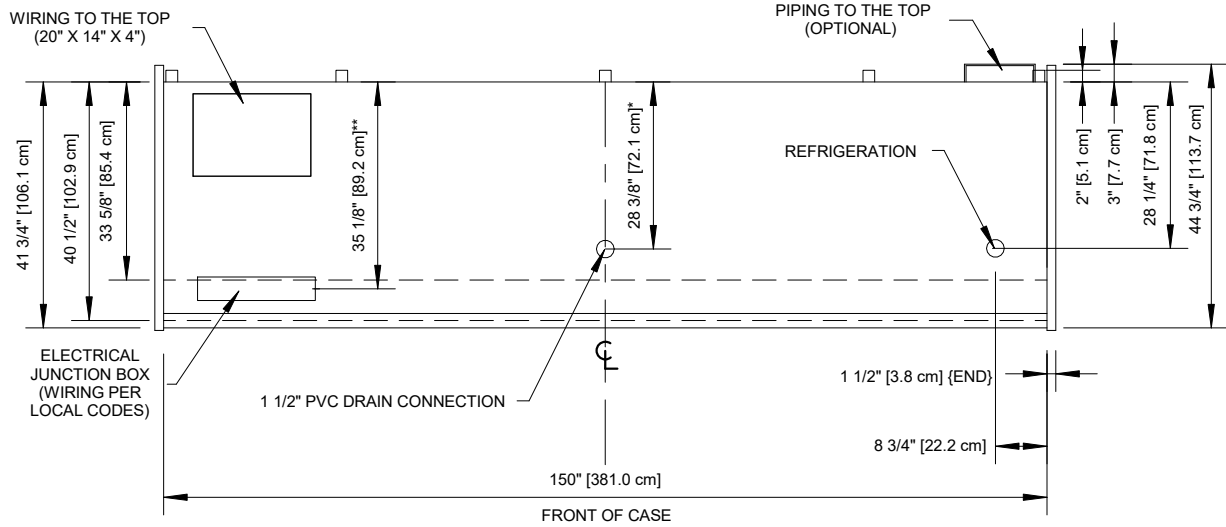
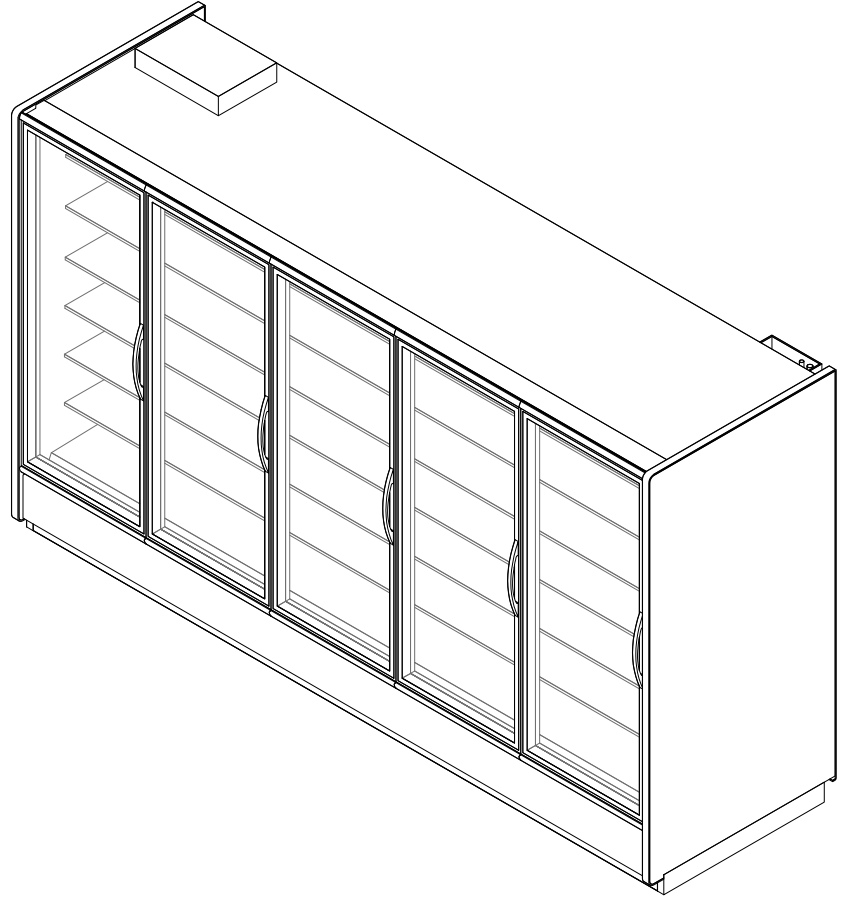
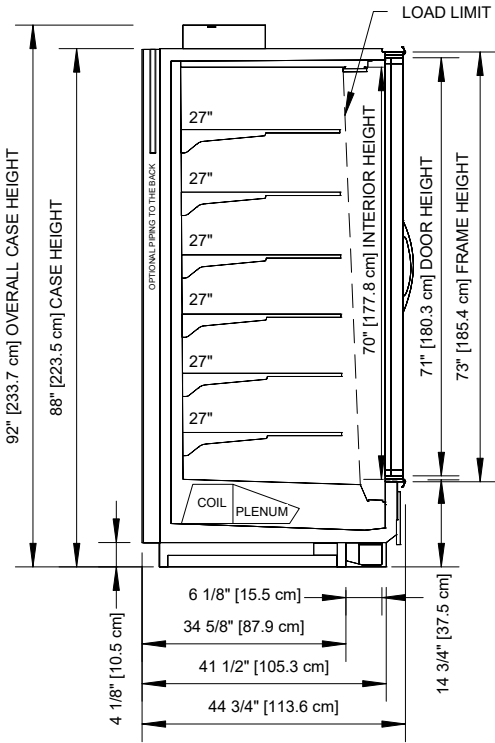
Rev Date:	Rev #	Revision Description:
9-01-2017	2	DOE 2017

Hillphoenix

A DOVER COMPANY

6RZLH

Reach-In Merchandiser
2, 3, 4 & 5 Door (Frozen Food)



2017
DOE
COMPLIANT



COMPONENT

ALL MEASUREMENTS ARE TAKEN PER ASHRAE-72-2005 SPECIFICATIONS. HILLPHOENIX REFRIGERATED DISPLAY CASES FOR SALE IN THE UNITED STATES MEET OR EXCEED DEPARTMENT OF ENERGY 2017 REQUIREMENTS.

6RZLH_5DR

Rev Date:	Rev #	Revision Description:
9-01-2017	2	DOE 2017

Hillphoenix

A DOVER COMPANY