

Service Multi-Deck Merchandiser w/ Front Load Doors (RRS Optional)

AGB REMOTE GRAVITY - 4', 6' & 8'

Electrical Data

Model		Fans per Case	High Efficiency Fans		Anti-Condensate Fans		Drain Heaters		Optional Defrost Heaters		Humidification ²	
			120 Volts		120 Volts		120 Volts		208 Volts		120 Volts	
			Amps	Watts	Amps	Watts	Amps	Watts	Amps	Watts	Amps	Watts
AGB	4'	--- ¹	---	---	---	---	---	---	---	---	---	---
	6'	---	---	---	---	---	---	---	---	---	---	---
	8'	---	---	---	---	---	---	---	---	---	---	---

Lighting Data

Model		Lights per Row	Light Length (ft)	Clearvoyant 4 LED Lighting (Per Light Row)			
				Standard Power (Cornice or Shelf)		High Power (Cornice)	
				120 Volts		120 Volts	
				Amps	Watts	Amps	Watts
AGB	4'	1	4	0.05	5.9	---	---
	6'	1	4	0.05	5.9	---	---
	8'	1	4	0.05	5.9	---	---

Guidelines & Control Settings (DX)

Model		Conventional ⁴ BTUH/ft	Parallel ⁵ BTUH/ft	Superheat Set Point @ Bulb (°F)	Evaporator (°F)	Discharge Air (°F)	Discharge Air ⁷ Velocity (FPM)
AGB	Gravity Coil	1527	500	12	15	28	---
	Serpentine	255	50	8-10	33 ⁶	---	---
	RRS ³	255	200	8-10	---	28	---

Guidelines & Control Settings (Glycol)

Model		Conventional BTUH/ft	Parallel BTUH/ft	Supply Temp. (°F)	Flow Rate GPM/ft	Charge GAL/ft	Cut-In Temp (°F)	Cut-Out Temp (°F)
AGB	Gravity Coil	1527	500	20	0.8	0.5	---	---
	Serpentine	255	50	20	0.1	0.5	---	---
	RRS	255	200	20	0.1	0.5	28	26

Engineered for stores with ambient conditions not to exceed 75° and 55% relative humidity.

Due to engineering improvements specifications may change without notice.

All measurements are taken per ASHRAE - 72 - 2005 specifications.

Hillphoenix refrigerated display cases for sale in the United States meet or exceed department of energy 2017 efficiency requirements.

Numbers are based on standard case sizes. Consult engineering.

2017
DOE
COMPLIANT

Clearvoyant™
LED SYSTEM

Hillphoenix / **Barker**
SPECIALTY PRODUCTS



AGB (Remote Gravity)

Defrost Controls

Model		Defrosts ^{9,10} per Day	Run-Off Time (min)	Electric Defrost		Timed-Off Defrost		Hot Gas Defrost	
				Fail-Safe (min)	Termination Temp (°F)	Fail-Safe (min)	Termination Temp (°F)	Fail-Safe (min)	Termination Temp (°F)
AGB	Gravity Coil	4	0	---	---	90	47	---	---
	Serpentine ⁸	---	---	---	---	---	---	---	---
	RRS	6	0	---	---	20	47	---	---

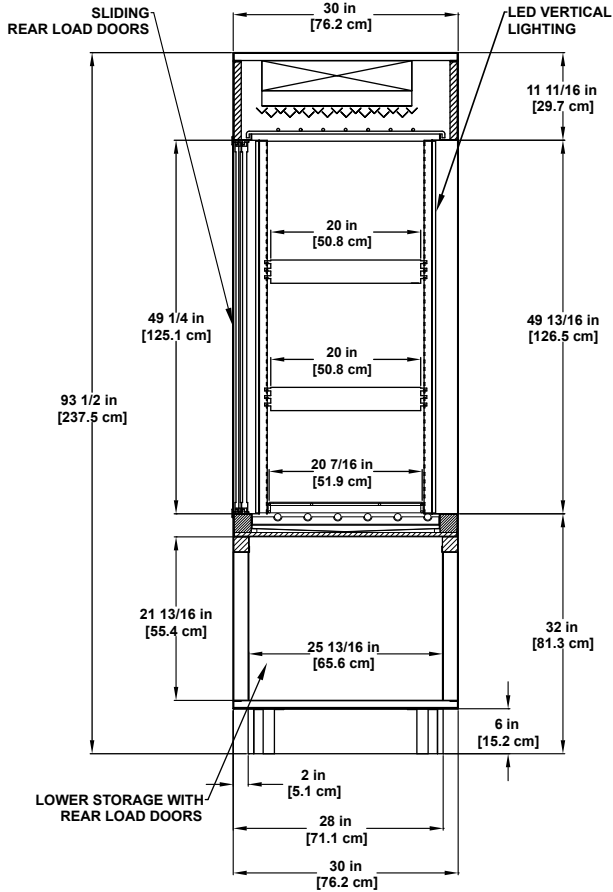
- 1 NOTE: "---" indicates data not applicable.
- 2 Optional humidification system available to boost humidity. Humidity levels are determined by store aged beef programs.
- 3 RRS - Refrigerated Rear Storage.
- 4,5 Listed BTUH indicates unlighted shelves. Add the following for lighted shelves:
 - 4' Shelf LED: 36 BTUH
 - 4' Canopy LED: 72 BTUH
 - 3' Shelf LED: 27 BTUH
 - 3' Hi-Output LED: 54 BTUH
- 6 EPR valve is factory installed.
- 7 Average discharge air velocity at peak of defrost.
- 8 Defrost is tied to gravity coil.
- 9 DX units equipped with RH systems require 2 defrosts per day with a fail-safe of 120 minutes.
- 10 Glycol units equipped with RH systems require 3 defrosts per day with a fail-safe of 120 minutes.

SERVICE
MULTI-DECK

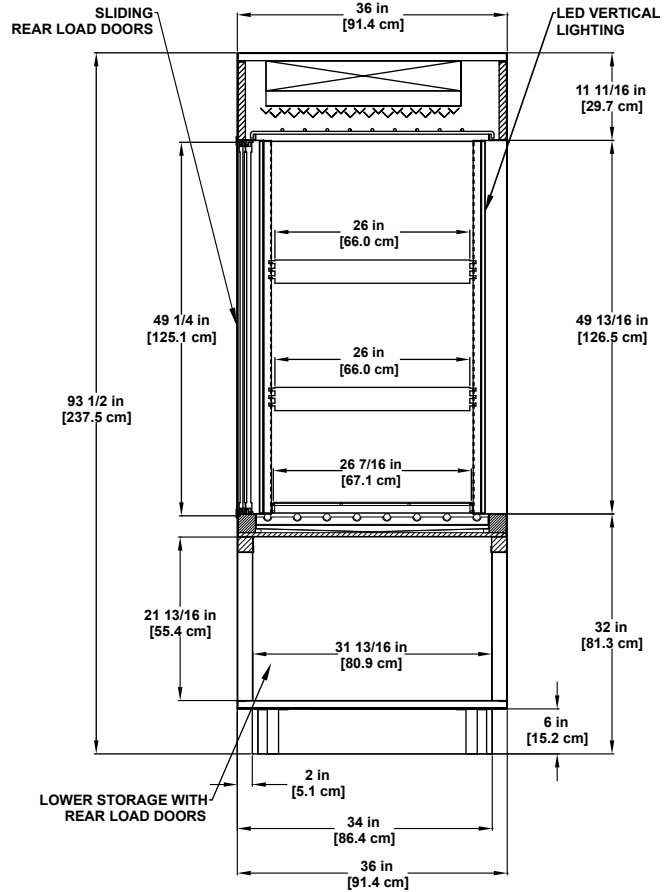
Cheese / Meat

Engineered for stores with ambient conditions not to exceed 75° and 55% relative humidity.
 Due to engineering improvements specifications may change without notice.
 All measurements are taken per ASHRAE - 72 - 2005 specifications.
 Hillphoenix refrigerated display cases for sale in the United States meet or exceed
 department of energy 2017 efficiency requirements.
 Numbers are based on standard case sizes. Consult engineering.

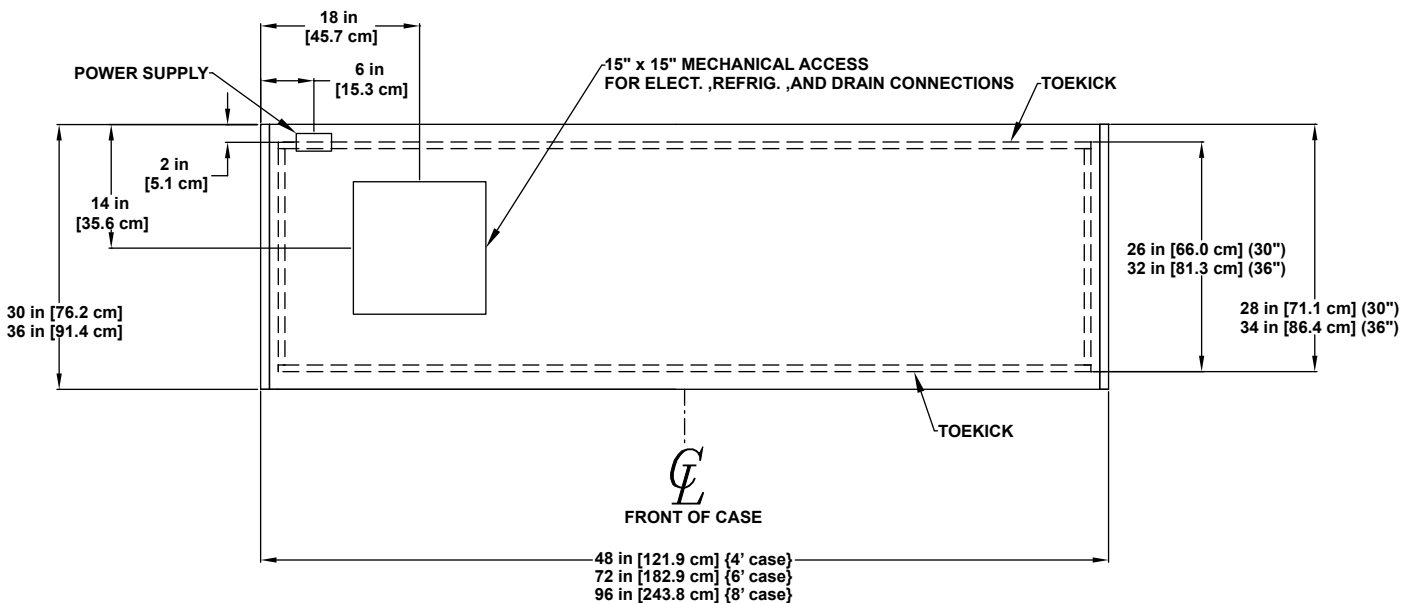




30" PROFILE



36" PROFILE



FRONT OF CASE

