

Self-Service Open Multi-Deck Counter Height Merchandiser (RRS Optional)

BLF-CR REMOTE - 48", 59", 77", 96", 120" & 144"

Electrical Data

Model		Fans per Case	High Efficiency Fans		Anti-Condensate Heaters		Drain Heaters		Optional Defrost Heaters		2RRS Fans		
			120 Volts		120 Volts		120 Volts		208 Volts		120 Volts		
			Amps	Watts	Amps	Watts	Amps	Watts	Amps	Watts	Units	Amps	Watts
BLF-CR	48"	1	0.3	36	0.17	20.4	---	---	---	---	(1) MAC 8	0.8	96
	59"	1	0.3	36	0.31	37.2	---	---	---	---	(1) MAC 8	0.8	96
	77"	2	0.6	72	0.31	37.2	---	---	---	---	(1) MAC 8	0.8	96
	96"	3	0.9	108	0.42	50.4	---	---	---	---	(1) MAC 12	1.6	192
	120"	3	0.9	108	0.52	62.4	---	---	---	---	(1) MAC 8	1.6	192
	144"	3	0.9	108	0.63	75.6	---	---	---	---	(1) MAC 8	1.6	192

Lighting Data

Model		Lights per Row	Light Length (ft)	Clearvoyant 4 LED Lighting (Per Light Row)			
				Standard Power (Cornice or Shelf)		High Power (Cornice)	
				120 Volts		120 Volts	
				Amps	Watts	Amps	Watts
BLF-CR	48"	1	4	0.05	5.9	0.12	14.9
	59"	1	5	0.06	7.5	0.15	18.5
	77"	2	3	0.08	9.4	0.20	23.8
	96"	2	4	0.10	11.8	0.24	29.8
	120"	2	5	0.12	15.0	0.30	37.0
	144"	3	4	0.15	17.7	0.36	44.7

Guidelines & Control Settings (DX)

Model		Conventional 3BTUH/ft	Parallel 4BTUH/ft	Superheat Set Point @ Bulb (°F)	Evaporator (°F)	Discharge Air (°F)	Discharge Air ⁵ Velocity (FPM)
BLF-CR	DX	872	800	10	20	28	200
	RRS	218	200	10	20	28	200

Defrost Controls

Model	Defrosts per Day	Run-Off Time (min)	Electric Defrost		Timed-Off Defrost		Hot Gas Defrost	
			Fail-Safe (min)	Termination Temp (°F)	Fail-Safe (min)	Termination Temp (°F)	Fail-Safe (min)	Termination Temp (°F)
BLF-CR	6	---	---	---	20	---	---	---

1 NOTE: "-" indicates data not applicable.

2 RRS - Refrigerated Rear Storage

3,4 Listed BTUH indicates unlighted shelves. Add the following for lighted shelves:

4' Shelf LED: 36 BTUH

4' Canopy LED: 72 BTUH

3' Shelf LED: 27 BTUH

3' Hi-Output LED: 54 BTUH

5 Average discharge air velocity at peak of defrost.

Engineered for stores with ambient conditions not to exceed 75° and 55% relative humidity.

Due to engineering improvements specifications may change without notice.

All measurements are taken per ASHRAE - 72 - 2005 specifications.

Hillphoenix refrigerated display cases for sale in the United States meet or exceed department of energy 2017 efficiency requirements.

Numbers are based on standard case sizes. Consult engineering.



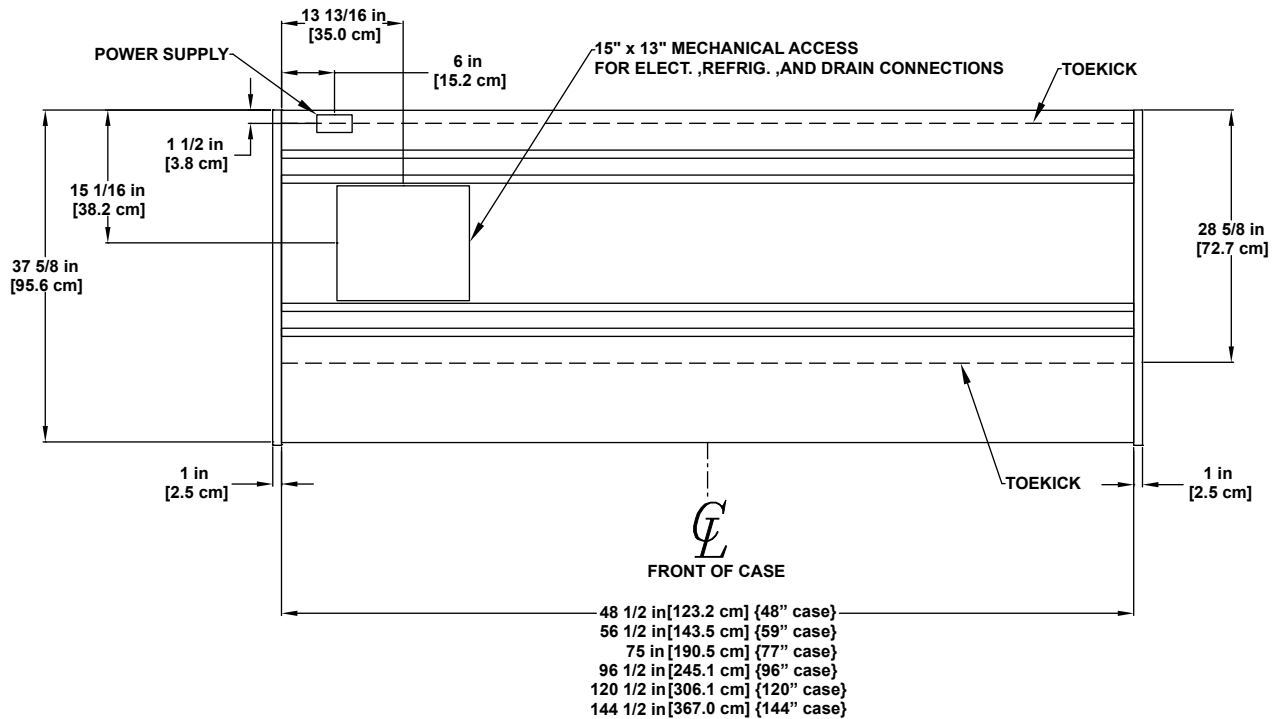
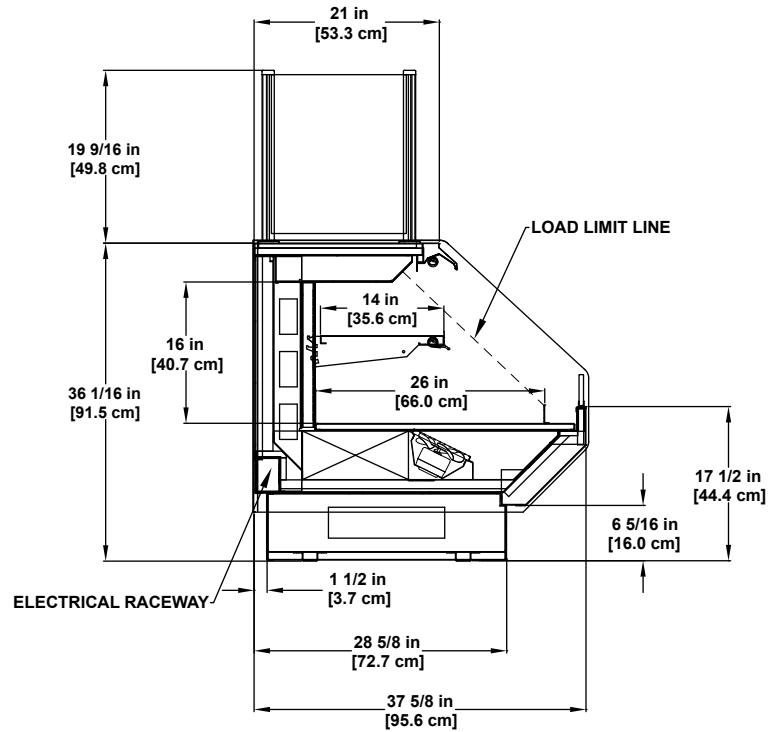
BLF-CR
(Remote)

Hillphoenix

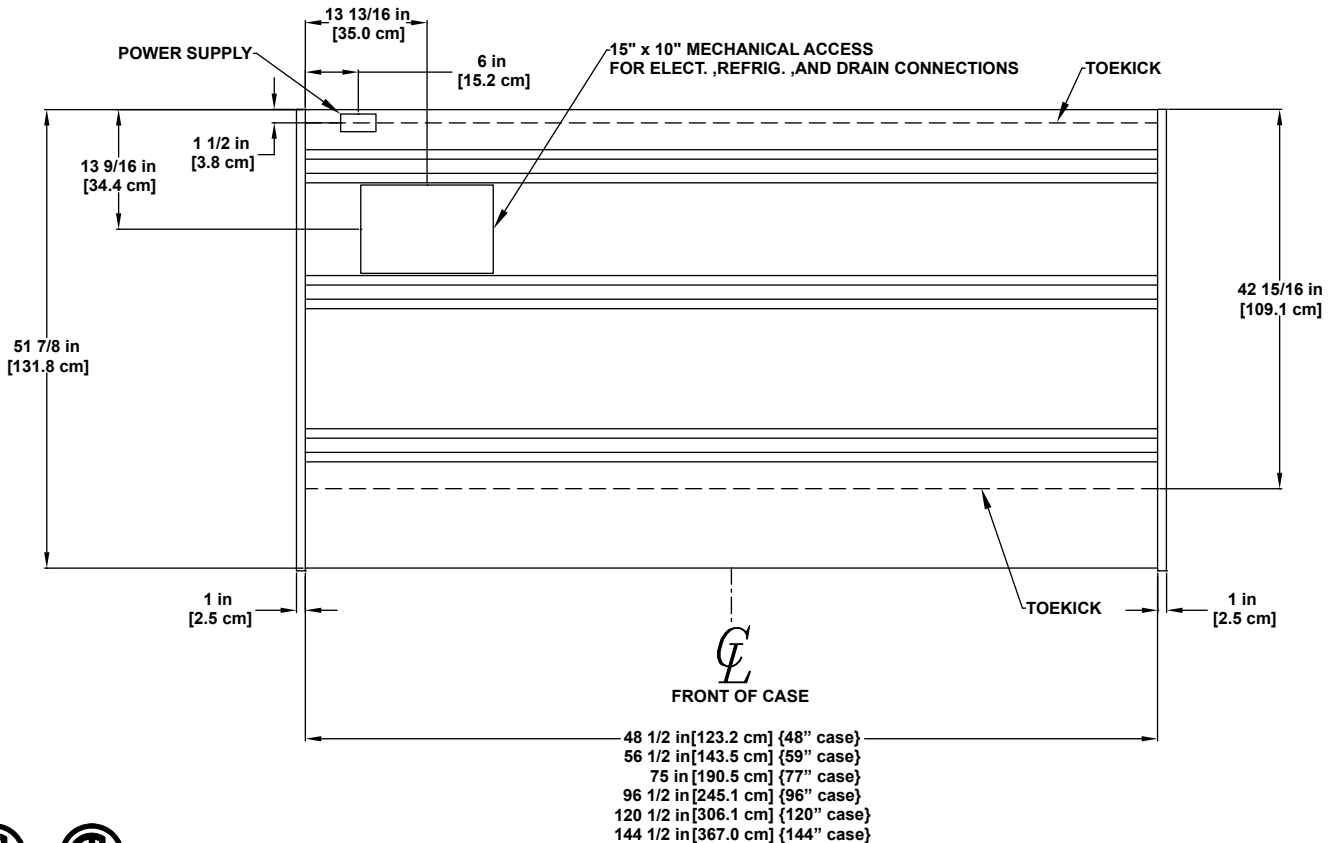
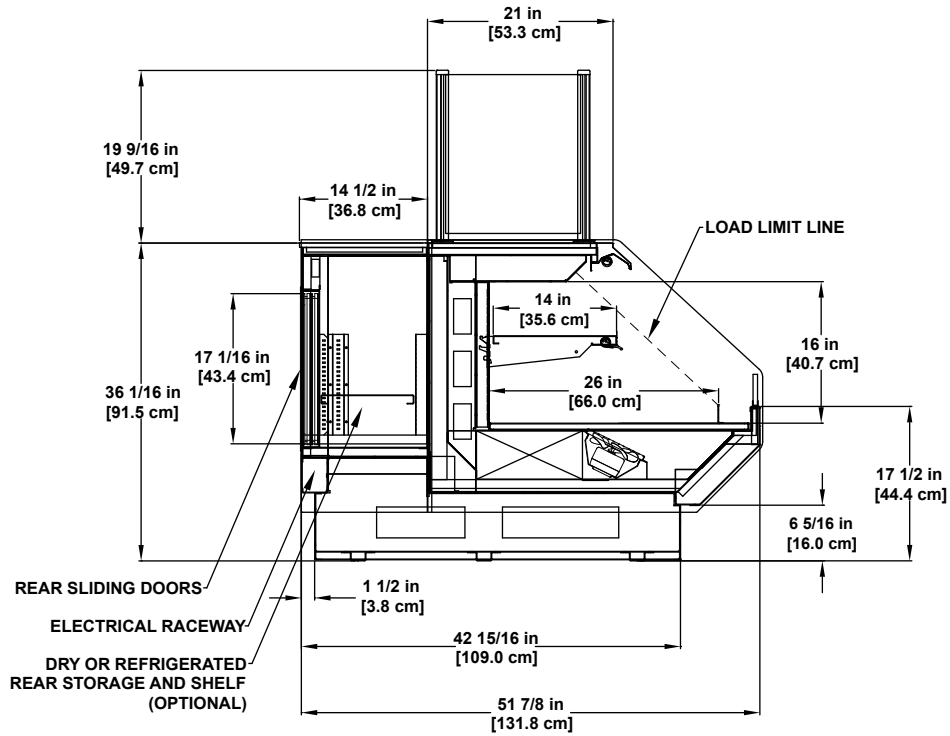
A DOVER COMPANY

SELF-SERVICE
MULTI-DECK

Bakery



**BLF-CR
(Remote)**



*SHOWN WITH OPTIONAL RRS, REFRIGERATED REAR STORAGE