

Hillphoenix

a **DOVER** company

BLF-RB-D

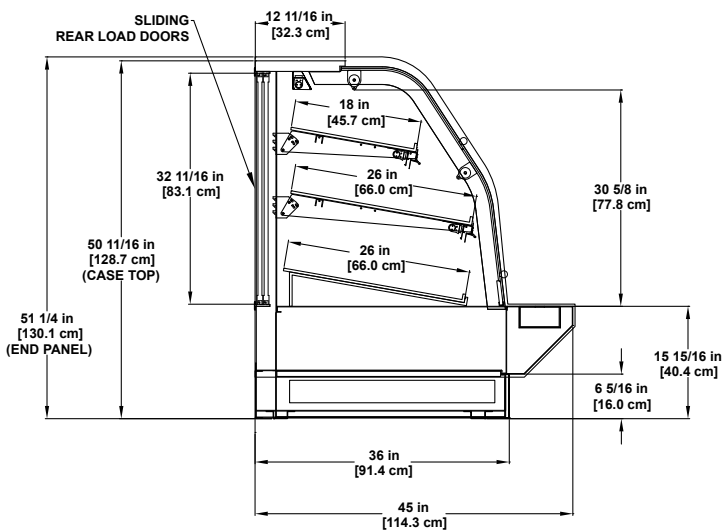
Self-Service Multi-Deck

Dry bakery merchandiser.



Photo may depict options not included on standard models.

Model BLF-RB-D
Self-Service Multi-Deck



Please consult Hillphoenix Engineering Reference Manual for dimensions, plan views and technical specifications. Specifications subject to change without notice. Designed for optional performance in store environments where temperature and humidity do not exceed 75 degrees and 55% R.H. Certified to UL 471 and ANSI/NSF Standard 7.

Base Model Features

- Sled-runner base construction.
- Standard 50-11/16”H and 45”D.
- Standard 6-5/16” toekick.
- Painted metal exterior.
- Stainless steel exterior and front, side and rear base trim.
- Outside back and case top painted to match exterior.
- Reflective sliding rear load doors.
- Standard 18-3/4”W self-closing plexiglas front doors.
- 15-15/16”H Bread shelf and bag ledge painted metal to match exterior (9-3/8”D).
- Black painted metal interior.
- Interior trim to match interior.
- (1)row 18” and 26” fixed 10° angle, adjustable black wire shelving with price tag molding and product stop.
- (1)26” fixed 10 degree black angled riser on bottom deck.
- Clearvoyant® LED top light.
- Clearvoyant LED undershelf lighting.
- Rear electrical raceway.
- Cord and plug.

Available Options

- Glass or solid laminated interior or mirror polished end panels.
- Exterior standard grade laminate.
- Interior or exterior stainless steel finish.
- Interior white or other custom color finish.
- Painted base and end panel trim.
- Stainless steel outside back finish.
- Glass, black or white wire, or white painted metal shelving.
- Swing rear load doors.
- Cart bumper.



Dover Food Retail
 Conyers, GA USA
 844.591.5937
 hillphoenix.com

©2018 Hillphoenix, Inc.

