

**Hillphoenix**

a **DOVER** company

**BMD-H**

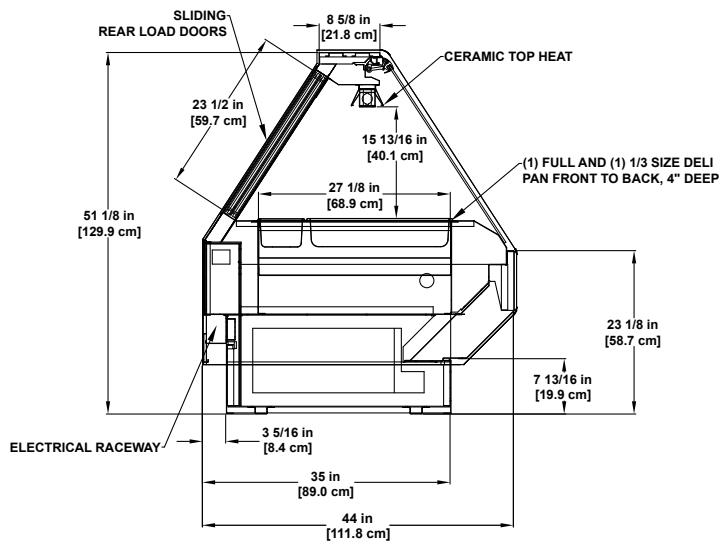
# Service Single-Deck

Hot deli merchandiser.



Photo may depict options not included on standard models.

## Model BMD-H Service Single-Deck



Please consult Hillphoenix Engineering Reference Manual for dimensions, plan views and technical specifications. Specifications subject to change without notice. Designed for optional performance in store environments where temperature and humidity do not exceed 75 degrees and 55% R.H. Certified to UL 471 and ANSI/NSF Standard 7.

### Base Model Features

- Sled runner base construction.
- Standard 51"H with 7-13/16"H Toekick height.
- 45 degree front dieboard.
- Painted metal exterior.
- Stainless steel base trim, front and sides.
- Stainless steel exterior trim.
- Stainless steel outside back and case top.
- Reflective rear load doors.
- Single-pane regular glare flat front lift glass.
- Stainless steel interior and trim.
- Stainless steel dry heat well with divider bars for 4"D. full size pan and 1/3 display (pans optional).
- Overhead ceramic heating elements with 100W incandescent lighting.
- Low wattage, long wave radiant heat system.
- Dry heat, no water connection required.
- Electronically controlled zone heating.
- Rear mounted heat controls.
- 2" dial thermometer.
- Energy efficient fans.
- Rear electrical raceway.

### Available Options

- Available lengths: 4', 6', 8', 10', and 12'.
- Bullet leg base with adjustable height toekick.
- Black painted metal base trim.
- Cart bumper.
- Exterior stainless steel finish.
- Solid surface or stone case top.
- Integrated case top scale stand.
- Adjustable scale stand (interior strut mount - 8' and 12' only).
- Pans, stainless steel solid deck sections and hot ceramic tiles.
- Curved regular glare front lift glass.
- Rear flip up work boards.
- ISO outlet/CON outlets.
- Thermal glass divider or glass ends, solid or MPSS.



Dover Food Retail  
Conyers, GA USA  
844.591.5937  
hillphoenix.com

©2018 Hillphoenix, Inc.



an overm company