

# Self-Service Open Single-Deck Merchandiser

## DLPF SELF-CONTAINED - 4' & 6'

### System Requirements

Model		Volts	Phase	Total Amps	Minimum Circuit Ampacity	Maximum Overcurrent Protection
DLPF	4'	120	1	20.11	25.1375	45.2475
	6'	120-208	1	13.77	17.2125	30.9825

### Electrical Data

Model		Fans per Case	High Efficiency Fans		Anti-Condensate Fans		Drain Pumps		Evaporator Pan Heaters			Auxiliary Fans	
			120 Volts		120 Volts		120 Volts		Volts	Amps	Watts	120 Volts	
			Amps	Watts	Amps	Watts	Amps	Watts				Amps	Watts
DLPF	4'	1	0.3	36	0.3	36	---	---	120	8.3	996	---	---
	6'	2	0.6	72	0.3	36	---	---	208	4.8	998.4	---	---

### Lighting Data

Model		Lights per Row	Light Length (ft)	Clearvoyant 4 LED Lighting (Per Light Row)			
				Standard Power (Cornice or Shelf)		High Power (Cornice)	
				120 Volts		120 Volts	
				Amps	Watts	Amps	Watts
DLPF	4'	1	4	0.05	5.9	0.12	14.9
	6'	2	3	0.08	9.4	0.20	23.8

### Guidelines & Control Settings

Model	24hr Energy Usage (kWh/ft)	Suction Temperature @ Case Outlet (°F)	Superheat Set Point @ Bulb (°F)	Discharge Air (°F)	Discharge Air <sup>2</sup> Velocity (FPM)
DLPF	5.26	18	10	28	200

### Condensing Unit Data

Model		Volts	Phase	HP	RLA <sup>3</sup> (amps)	LRA <sup>4</sup> (amps)	Refrig.	Condenser Fans		Lbs. of Refrig.
								Amps	Watts	
DLPF	4'	120	1	0.5	9	51	404a	1.4	168	4.00
	6'	208	1	1	6.2	40	404a	0.85	176.8	4.00

### Defrost Controls

Model	Defrosts per Day	Run-Off Time (min)	Electric Defrost		Timed-Off Defrost		Hot Gas Defrost	
			Fail-Safe (min)	Termination Temp (°F)	Fail-Safe (min)	Termination Temp (°F)	Fail-Safe (min)	Termination Temp (°F)
DLPF	6	---	---	---	20	---	---	---

1 NOTE: "--" indicates data not applicable.

2 Average discharge air velocity at peak of defrost.

3 RLA - Running Load Amps

4 LRA - Locked Rotor Amps

Engineered for stores with ambient conditions not to exceed 75° and 55% relative humidity.

Due to engineering improvements specifications may change without notice.

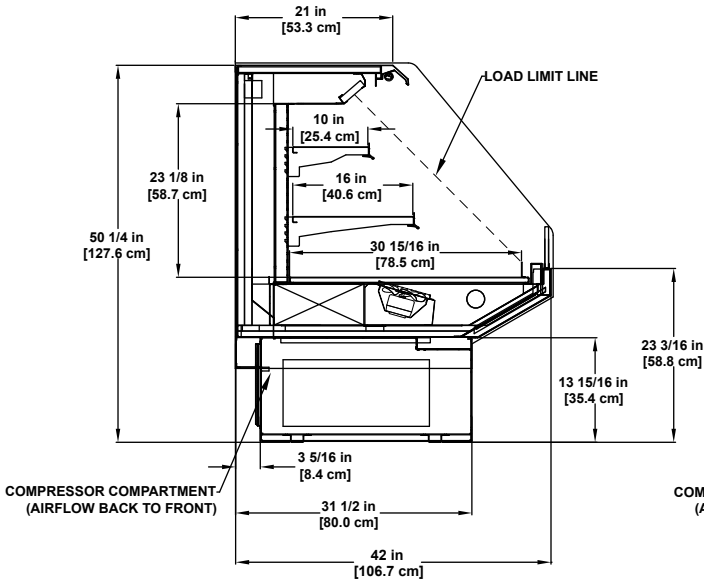
All measurements are taken per ASHRAE - 72 - 2005 specifications.

Hillphoenix refrigerated display cases for sale in the United States meet or exceed department of energy 2017 efficiency requirements.

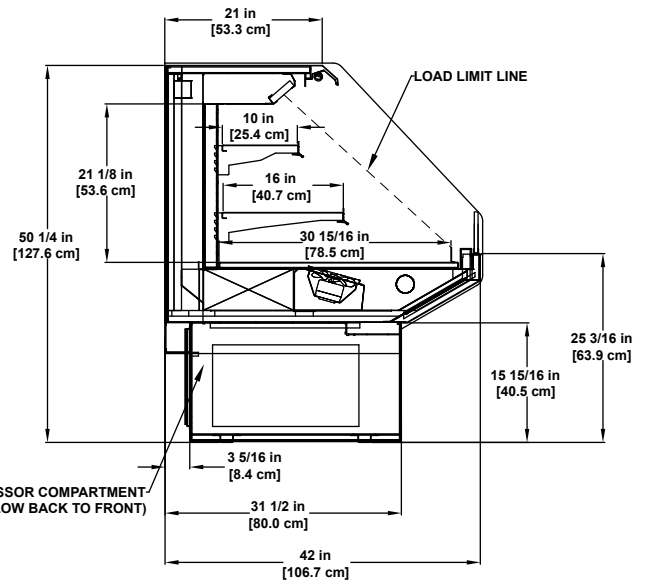
Numbers are based on standard case sizes. Consult engineering.



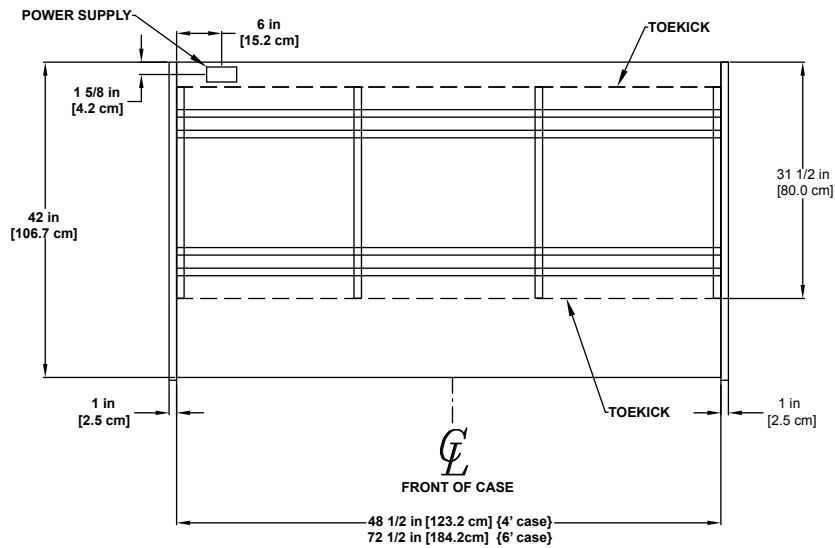
**DLPF**  
(Self-Contained)



**SMD PROFILE**



**SSD PROFILE**



SELF-SERVICE  
SINGLE-DECK

Bakery / Beverage / Cheese / Deli