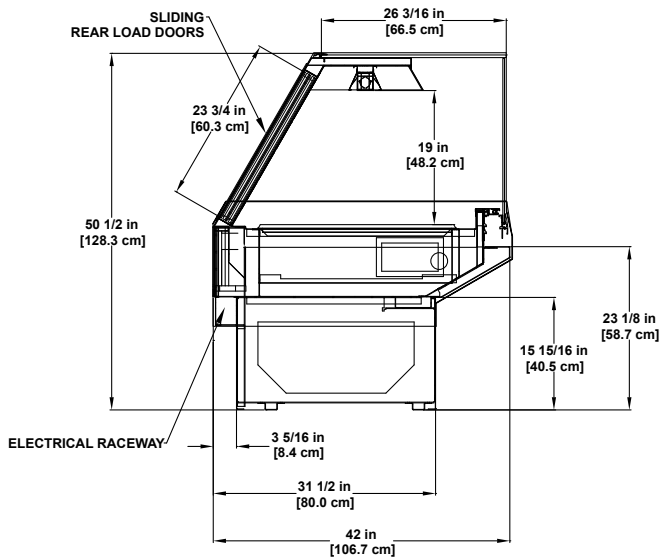


Service Single-Deck Hot

Hot deli merchandiser with jewelry style, vertical slide front glass.



Model GMD-H
Service Single-Deck Hot



Please consult Hillphoenix Engineering Reference Manual for dimensions, plan views and technical specifications. Specifications subject to change without notice. Designed for optional performance in store environments where temperature and humidity do not exceed 75 degrees and 55% R.H. Certified to UL 471 and ANSI/NSF Standard 7.

Base Model Features

- Sled runner base construction.
- Standard 50-1/2"H and 42"D.
- 15-15/16"H adjustable painted metal base, front and sides.
- 60° front die board.
- Painted metal exterior.
- Stainless steel exterior trim.
- Stainless steel outside back and case top.
- 26-3/16"D, 3/8" thick glass case top, low iron, regular glare.
- Reflective rear load doors.
- 1/4" thick single-pane, low iron, regular glare vertical slide front glass.
- Stainless steel interior and trim.
- Stainless steel hot well with divider bars for full size 4"D pans. (Pans not included)
- Low wattage, long wave radiant heat system.
- Dry heat, no water connections necessary.
- Electronically-controlled zone heating.
- Rear electrical raceway.

Available Options

- Available lengths: 4', 6', 8', 10' and 12'.
- Alternate toe kick height includes: 13-15/16"H with the overall case height of 48-3/8"H
- Flat front profile.
- Bullet leg base with adjustable height toe kick.
- Pedestal base or false pedestal base.
- Stainless steel base trim.
- Cart bumper.
- Stainless steel exterior finish.
- Integrated case top scale stand.
- Adjustable scale stand.
- Rear fixed or flip-up work boards.
- ISO outlet/CON outlets or CAT5.
- Front electrical raceway.



Dover Food Retail
Conyers, GA USA
844.591.5937
hillphoenix.com

©2018 Hillphoenix, Inc.

