

Service Multi-Deck Merchandiser w/ Flat Swing-Out Glass

GMD-RGC COOLGENIX™ - 4', 6', 8', 10' & 12'

Electrical Data

Model		Fans per Case	High Efficiency Fans		Anti-Condensate Fans		Drain Heaters		Optional Defrost Heaters	
			120 Volts		120 Volts		120 Volts		208 Volts	
			Amps	Watts	Amps	Watts	Amps	Watts	Amps	Watts
GMD-RGC	4'	2	---	---	0.52	62.4	---	---	---	---
	6'	3	---	---	0.78	93.6	---	---	---	---
	8'	4	---	---	1.04	124.8	---	---	---	---
	10'	5	---	---	1.3	156.0	---	---	---	---
	12'	6	---	---	1.56	187.2	---	---	---	---

Remote Secondary/ Semi Self-Contained	
120 Volts	
Amps	Watts
2.00	240

Lighting Data

Model		Lights per Row	Light Length (ft)	Clearvoyant 4 LED Lighting (Per Light Row)			
				Standard Power (Cornice or Shelf)		High Power (Cornice)	
				120 Volts		120 Volts	
				Amps	Watts	Amps	Watts
GMD-RGC	4'	1	4	0.05	5.9	0.12	14.9
	6'	2	3	0.08	9.4	0.20	23.8
	8'	2	4	0.10	11.8	0.24	29.8
	10'	2	5	0.12	15.0	0.30	37.0
	12'	3	4	0.15	17.7	0.36	44.7

Guidelines & Control Settings (Remote Secondary/Semi-Self Contained²)

Model	Conventional BTUH/ft	Parallel BTUH/ft	Glycol Supply Temp. (°F)	DX SST Chiller Temp. (°F)	Glycol Flow Rate GPM/ft	Glycol Charge GAL/ft	Glycol Max. Working Pressure (PSIG)	Max. Static Pressure (PSIG)
GMD-RGC	490	485	26	20	0.45	0.27	50	---

Cut-In/Cut-Out

Model		Cut-In Temp (°F)	Cut-Out Temp (°F)
GMD-RGC	Pans	33	29
	Top Coil	36	31

Defrost Controls

Model	Defrosts per Day	Run-Off Time (min)	Electric Defrost		Timed-Off Defrost		Hot Gas Defrost	
			Fail-Safe (min)	Termination Temp (°F)	Fail-Safe (min)	Termination Temp (°F)	Fail-Safe (min)	Termination Temp (°F)
GMD-RGC	1	5	---	---	50	45	---	---

1 NOTE: "---" indicates data not applicable.

2 Semi Self-Contained is NOT available in a 4' case.

* Listed data is based on the factory recommended default fresh meat temperature settings.

* Shelves are not recommended for fresh meat applications.



Engineered for stores with ambient conditions not to exceed 75° and 55% relative humidity.

Due to engineering improvements specifications may change without notice.

All measurements are taken per ASHRAE - 72 - 2005 specifications.

Hillphoenix refrigerated display cases for sale in the United States meet or exceed department of energy 2017 efficiency requirements.

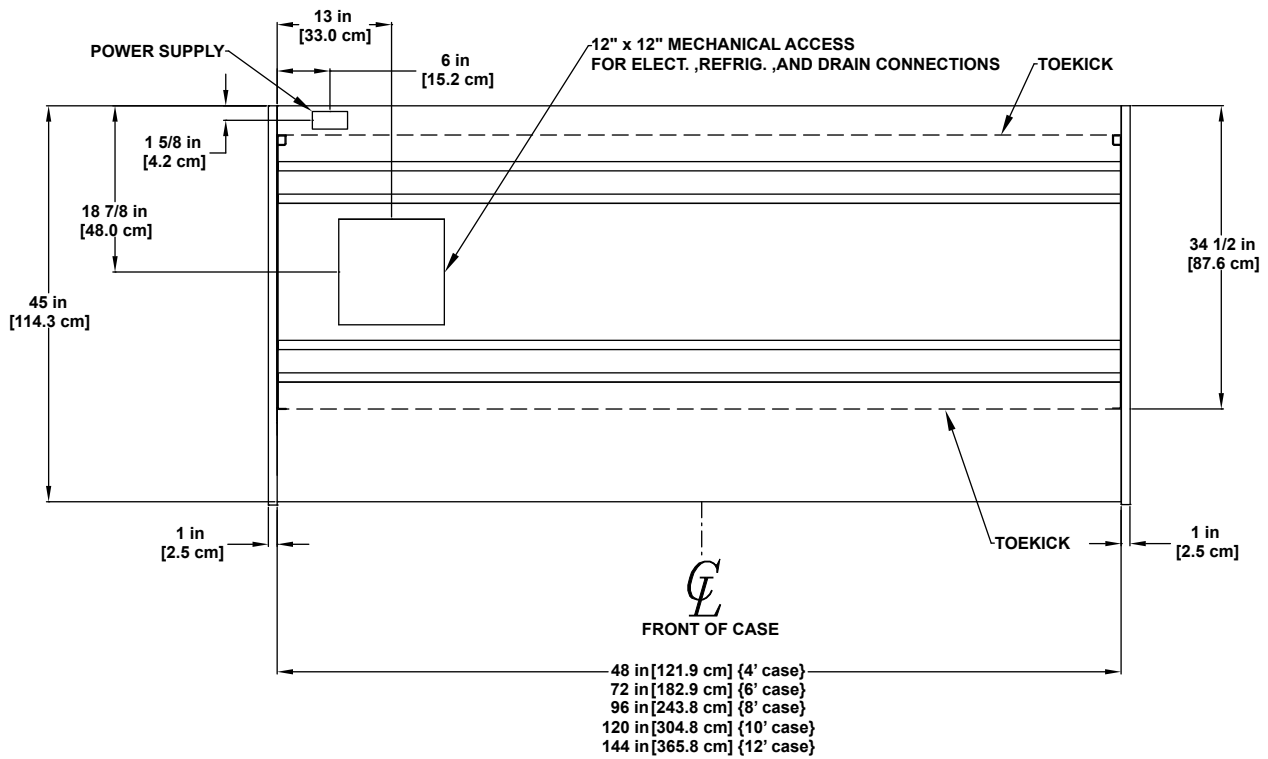
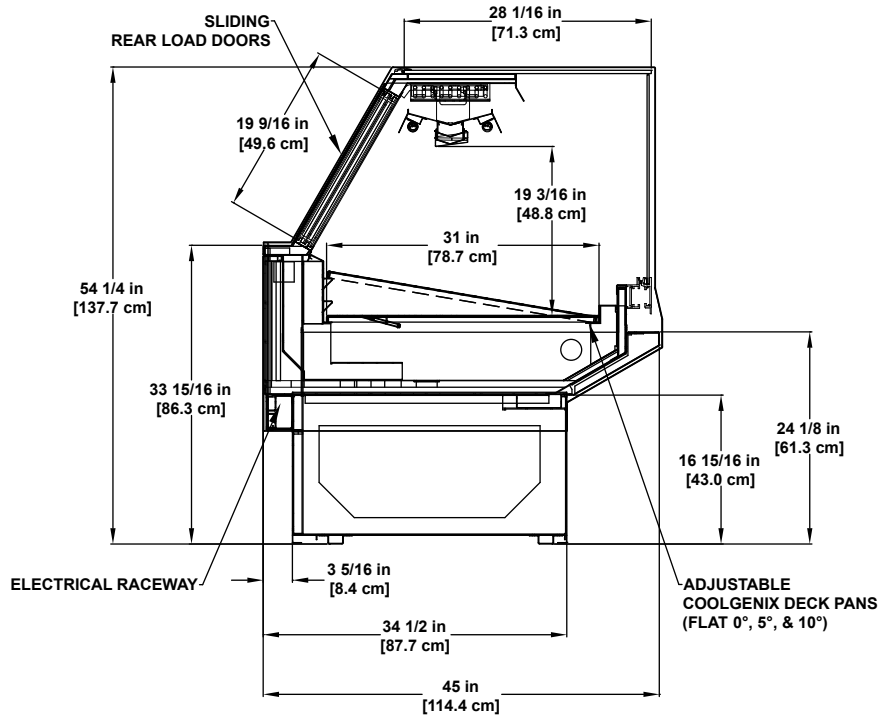
Numbers are based on standard case sizes. Consult engineering.



GMD-RGC
(Coolgenix™)

Hillphoenix

A DOVER COMPANY



SERVICE
SINGLE-DECK
Meat / Seafood

