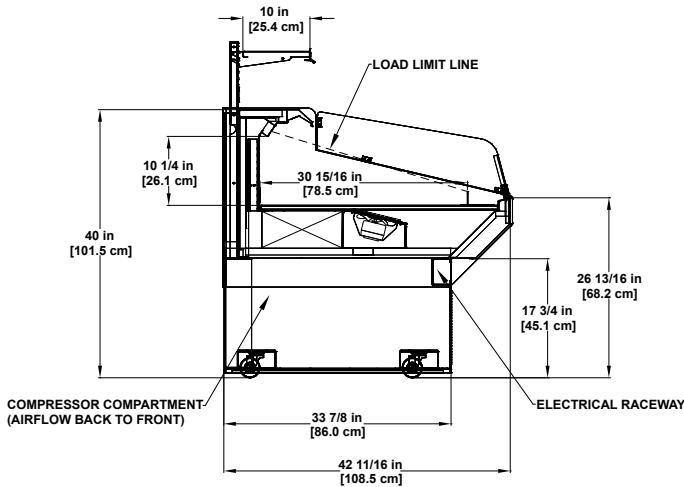


# Self-Service Single-Deck

Mobile merchandiser for bakery, cheese, deli, meat, produce and beverages.



## Model HSCN Self-Service Single-Deck



Please consult Hillphoenix Engineering Reference Manual for dimensions, plan views and technical specifications. Specifications subject to change without notice. Designed for optional performance in store environments where temperature and humidity do not exceed 75 degrees and 55% R.H. Certified to UP 471 and ANSI/NSF Standard 7.

### Available Options

- Available lengths: 2', 3', 4', 6', and 8' (self-contained only).
- Open style base lengths: 3', 4', 6', and 8' (self-contained only).
- (1) row each 10" adjustable angled painted metal shelf (limits adjustability with additional angled wire shelf option).
- Alternate finish on wire rack.
- Upper dry shelf: (1) row lighted 18"D adjustable angled wire shelf with wire product stop.
- Clearvoyant LED top light.
- Black painted metal base trim.
- Interior and exterior stainless steel finish.
- Solid wood exterior panels.
- Angled plex on end panels in lieu of straight or radius.
- Clearvoyant LED cornice lighting.
- White or other painted metal interior finish.
- Clearvoyant LED under shelf lighting.
- Cart bumper.
- Solid interior painted, solid interior mirror-polish stainless steel, thermal glass divider or glass ends.
- 6-1/2"H x 1/2" angled glass front die board to align with glass end panel inserts.
- Front and rear removable base with louvers.

### Base Model Features

- Closed base construction
- 40"H and 42-11/16"D
- Recessed locking casters.
- Standard 17-3/4"H base.
- Painted metal exterior, including case top.
- Stainless steel exterior trim.
- Painted metal to match exterior front and side base.
- Outside back unpainted/galvanneal, including rear base.
- 2" full height rear chimney extension for airflow management with moire pattern discharge.
- 6-1/2"H x 1/2" thick flame polished, angled front die board plex to align with plex-end panel inserts.
- Black painted metal interior.
- Interior trim to match interior.
- Fixed, flat bottom deck with angled, telescoping black wire rack.
- Interior trim to match interior.
- Front electrical raceway.
- Solar digital thermometer.
- Energy-efficient fans.
- Self-contained refrigeration package.



**Hillphoenix**  
A DOWNEY COMPANY

Conyers, GA USA  
844.591.5937  
hillphoenix.com

©2017 Hillphoenix, Inc.

FD--HSCNv0917