

### REFERENCE NOTES FOR ENGINEERING DATA

- Data listed is for Optimax Radiant and low power Optimax Pro (high power available). For other lighting options please contact your sales representative.
- "0.00" indicates that this feature is not an option on this case model.
- Anti-condensate heat values represent a door with no heat.
- Listed discharge air velocity represents the average velocity at the peak of defrost.
- Temperature and defrost settings listed below are recommended start-up settings. Final operational settings may need to be adjusted for the store conditions in which the case operates.
- The recommended evaporator temperatures may need to be adjusted based on system setup, store conditions, etc. The minimum recommended evaporator temperature is 4°F below the listed evaporator temperature.
- Lighting controls - occupancy sensors are required.
- Option 1: OEM Provided: Lighting controls (on/off) are standard unless otherwise specified
- Option 2: End User Provided: Light controls should be based on occupancy sensors.
- Light wattages below reflect 100% run time. To determine actual daily energy usage at 75°F/55%RH conditions, reduce the light wattages below by 42%.

### REFERENCE NOTES FOR CROSS SECTIONS

\* : STUB-UP AREA

\*\* : RECOMMENDED STUB-UP CENTERLINE FOR ELECTRICAL AND HUB DRAINS

- Ends add approximately 1" to case height, 1/2" to the back & 1" to the front
- Wiring to the top adds approximately 4 inches to the case height
- A 2" minimum air gap is required between the rear of the case and the wall
- Casters add approximately 2 1/4" to case height
- Suction line: (4 door or less) - 1/2", Suction lines (5 door & 6 door) - 5/8"
- Liquid line (all lengths) - 1/2", both electric & hot gas defrost
- Available shelf sizes: 20" & 22"
- Recommended shelf configuration is (5) rows 20" shelves or (5) rows 22" shelves



COMPONENT

ALL MEASUREMENTS ARE TAKEN PER ASHRAE-72-2005 SPECIFICATIONS. HILLPHOENIX REFRIGERATED DISPLAY CASES FOR SALE IN THE UNITED STATES MEET OR EXCEED DEPARTMENT OF ENERGY 2017 REQUIREMENTS.

## JNRBHA

Rev Date:	Rev #	Revision Description:
12-1-17	1	DOE 2017

SYSTEMS REQUIREMENTS				
Case Length	Volts	Phase	Frequency (Hz)	Provided Overcurrent Protection
2 Door	280	1	60	20
3 Door	280	1	60	20
4 Door	280	1	60	20
5 Door	280	1	60	20

GUIDELINES & CONTROL DATA			
Application	Superheat Set Point @ Bulb (°F)	Discharge Air (°F)	Discharge Air Velocity (FPM)
Beverage	6 - 8	35	230
Dairy	6 - 8	31	230
Deli	6 - 8	30	230

Case Length	24 Energy Usage (kWh)*
	DOE
2 Door	6.09
3 Door	8.55
4 Door	10.20
5 Door	15.30

\*- 24 Hour Energy values includes evaporate fans, standard LEDs, anti-condensate heat & condensing unit

CONDENSING UNIT DATA								
Case Length	Volts	Phase	Frequency (Hz)	Horsepower	Running Load Amps (RLA)	Locked Rotor Amps (LRA)	Refrigerant	Lbs. of Refrigerant
2 Door	208	1	60	1/3	4.2	16.8	R404A	2.2
3 Door	208	1	60	1/3	4.2	16.8	R404A	2.6
4 Door	208	1	60	1/3	4.2	16.8	R404A	3.2
5 Door	208	1	60	1/2	5.3	26.5	R404A	3.5

DEFROST CONTROLS				
Application	Defrosts Per Day	Run-Off Time (Min)	Fail-Safe (Min)	Termination Temp (°F)
Beverage	2	0	45	42
Dairy / Deli	2	0	45	38

DEFROST SCHEDULE	
Defrosts Per Day	Time
1	12 Midnight
2	12am - 12pm
3	6am - 2pm - 10pm
4	12am - 6am - 12pm - 6pm

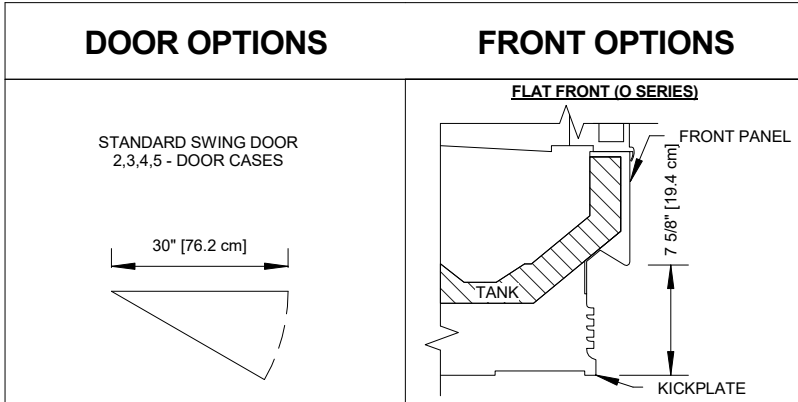


ALL MEASUREMENTS ARE TAKEN PER ASHRAE-72-2005 SPECIFICATIONS. HILLPHOENIX REFRIGERATED DISPLAY CASES FOR SALE IN THE UNITED STATES MEET OR EXCEED DEPARTMENT OF ENERGY 2017 REQUIREMENTS.

### JNRBHA

Rev Date:	Rev #	Revision Description:
12-1-17	1	DOE 2017



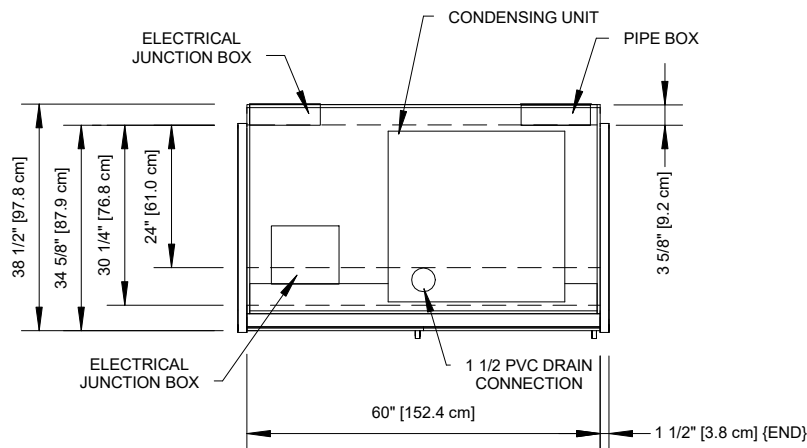
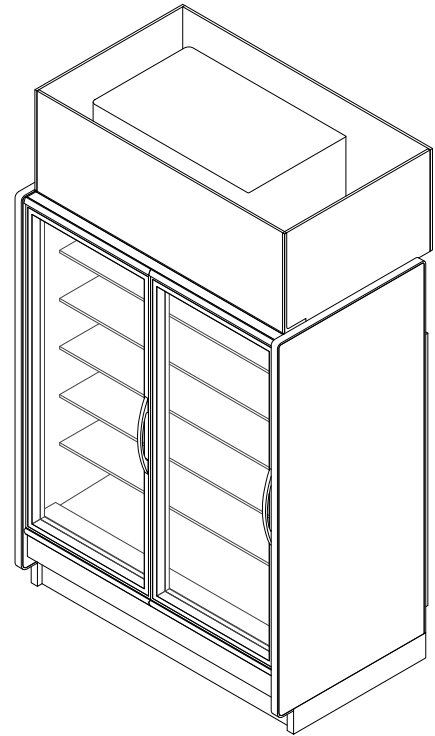
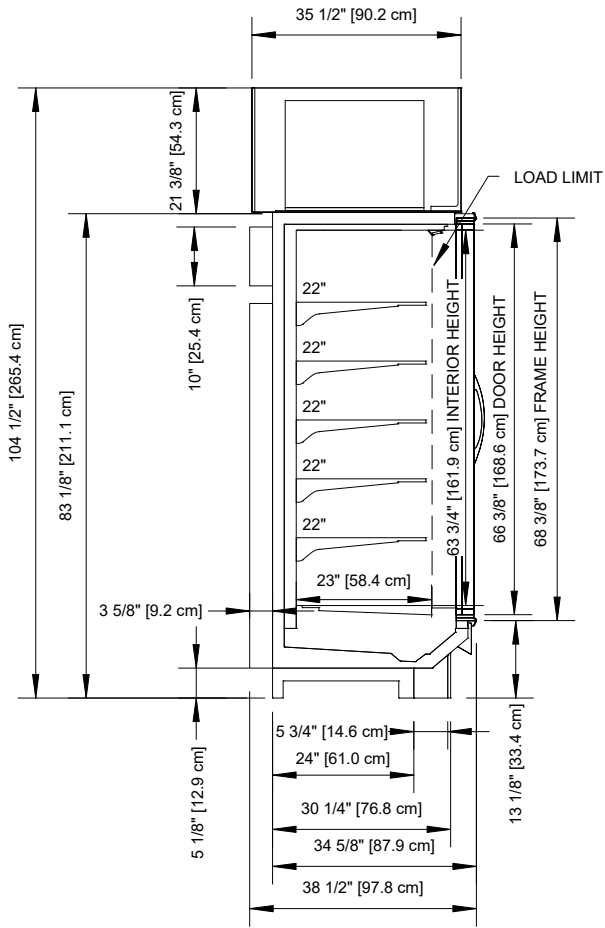


COMPONENT

ALL MEASUREMENTS ARE TAKEN PER ASHRAE-72-2005 SPECIFICATIONS. HILLPHOENIX REFRIGERATED DISPLAY CASES FOR SALE IN THE UNITED STATES MEET OR EXCEED DEPARTMENT OF ENERGY 2017 REQUIREMENTS.

### JNRBHA

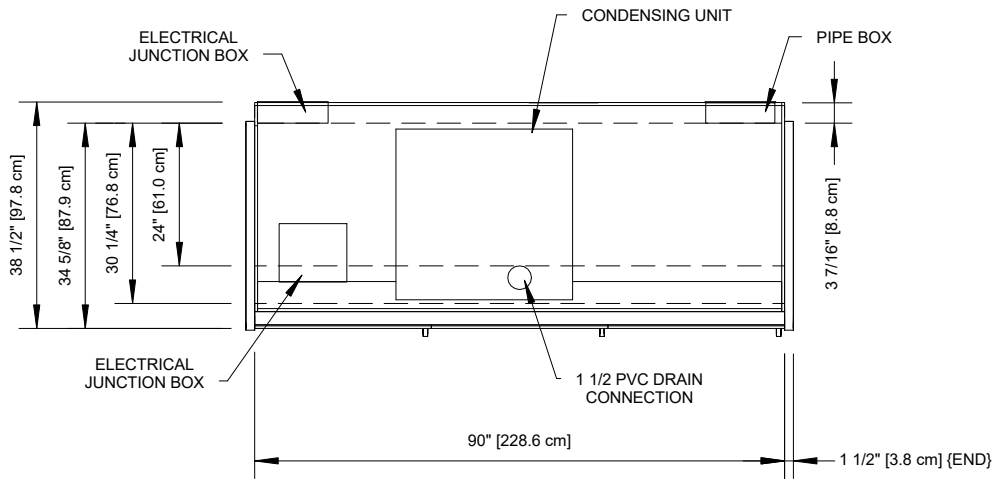
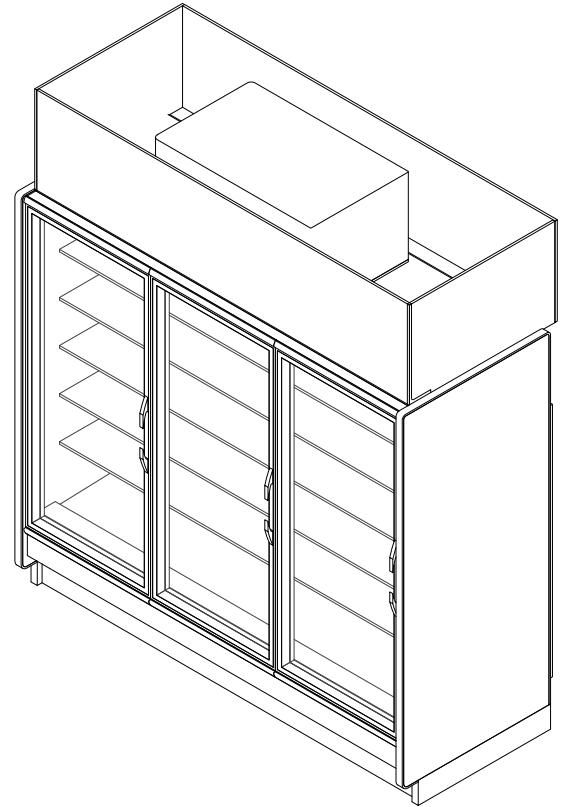
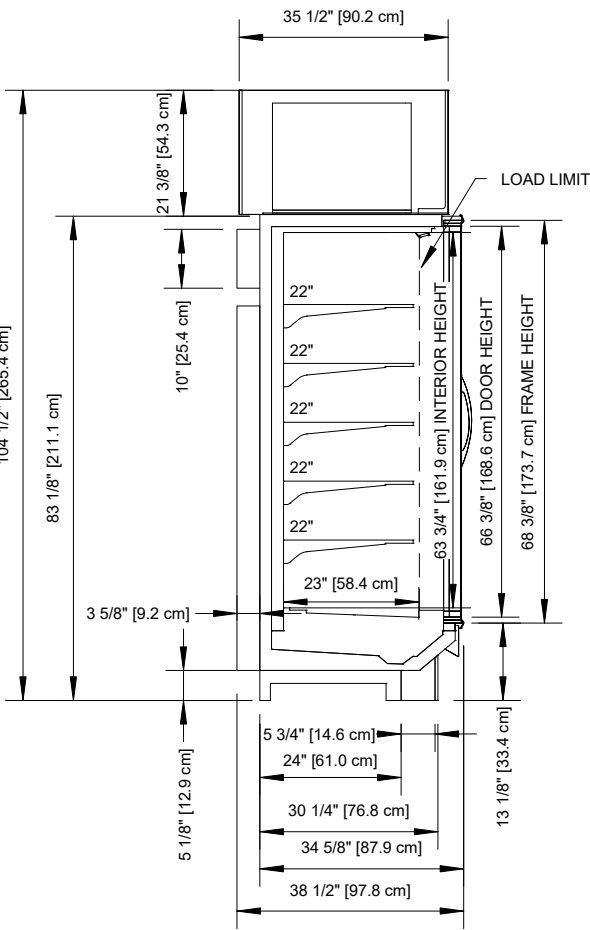
Rev Date:	Rev #	Revision Description:
12-1-17	1	DOE 2017



ALL MEASUREMENTS ARE TAKEN PER ASHRAE-72-2005 SPECIFICATIONS. HILLPHOENIX REFRIGERATED DISPLAY CASES FOR SALE IN THE UNITED STATES MEET OR EXCEED DEPARTMENT OF ENERGY 2017 REQUIREMENTS.

### JNRBHA 2 DOOR

Rev Date:	Rev #	Revision Description:
12-1-17	1	DOE 2017



COMPONENT

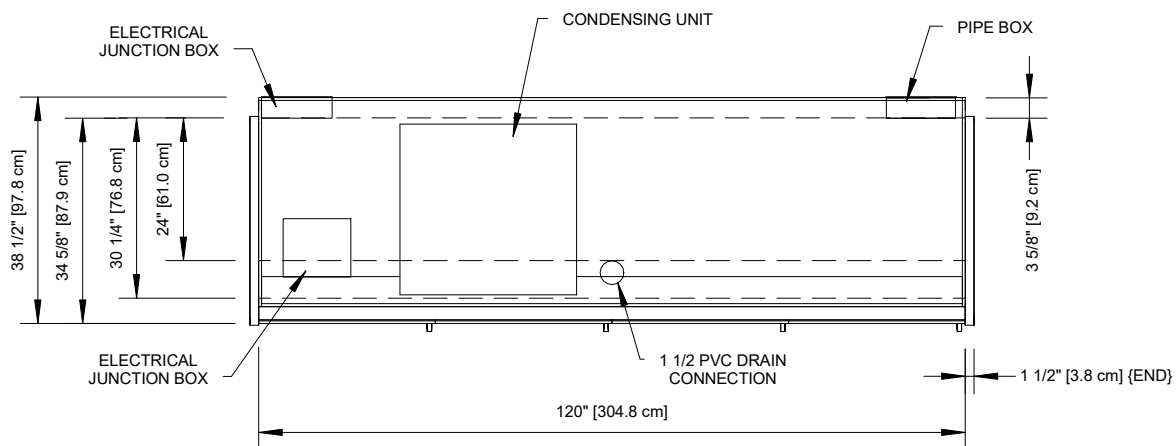
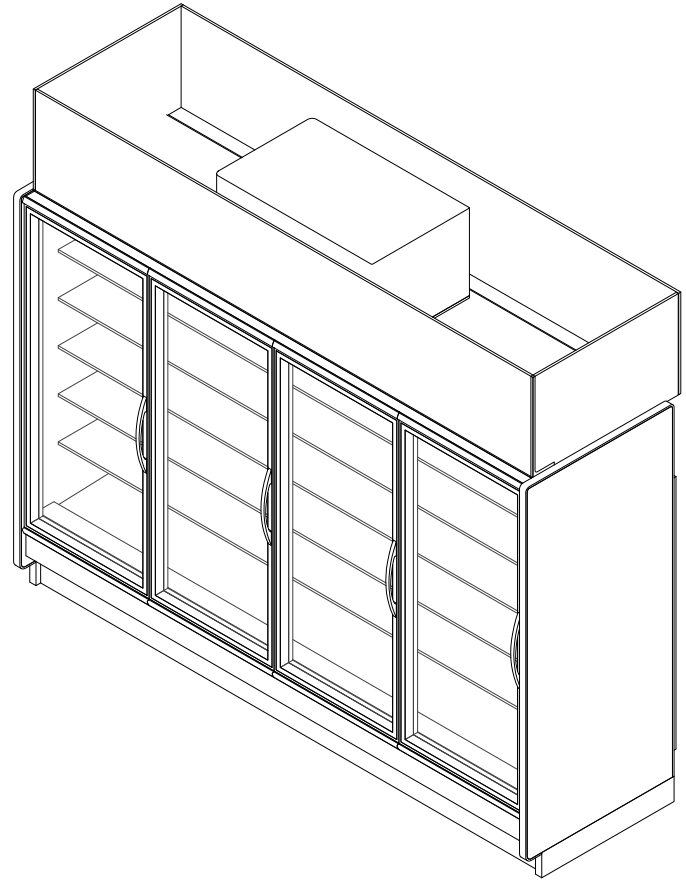
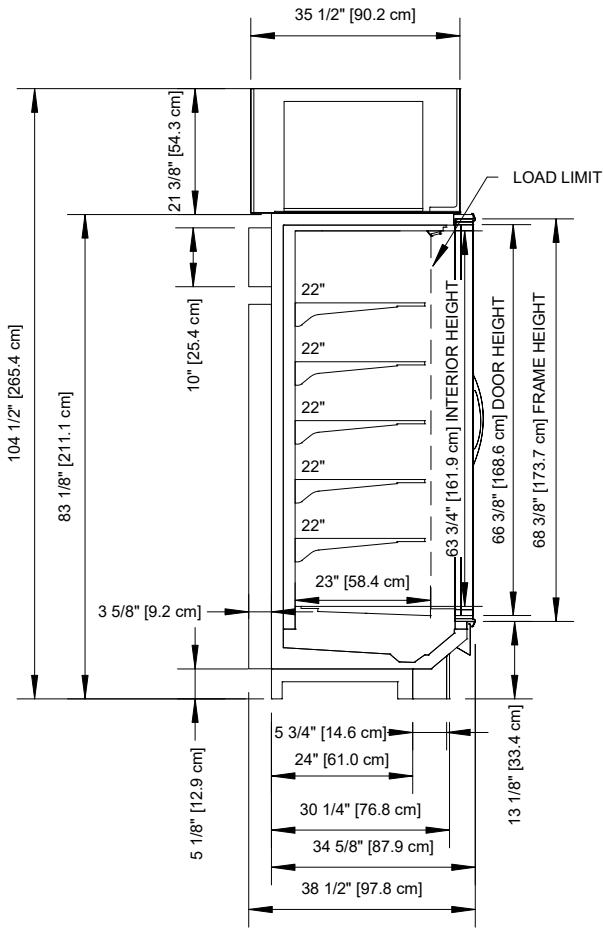
ALL MEASUREMENTS ARE TAKEN PER ASHRAE-72-2005 SPECIFICATIONS. HILLPHOENIX REFRIGERATED DISPLAY CASES FOR SALE IN THE UNITED STATES MEET OR EXCEED DEPARTMENT OF ENERGY 2017 REQUIREMENTS.

### JNRBHA 3 DOOR

Rev Date:	Rev #	Revision Description:
12-1-17	1	DOE 2017

**Hillphoenix**

A DOVER COMPANY



COMPONENT

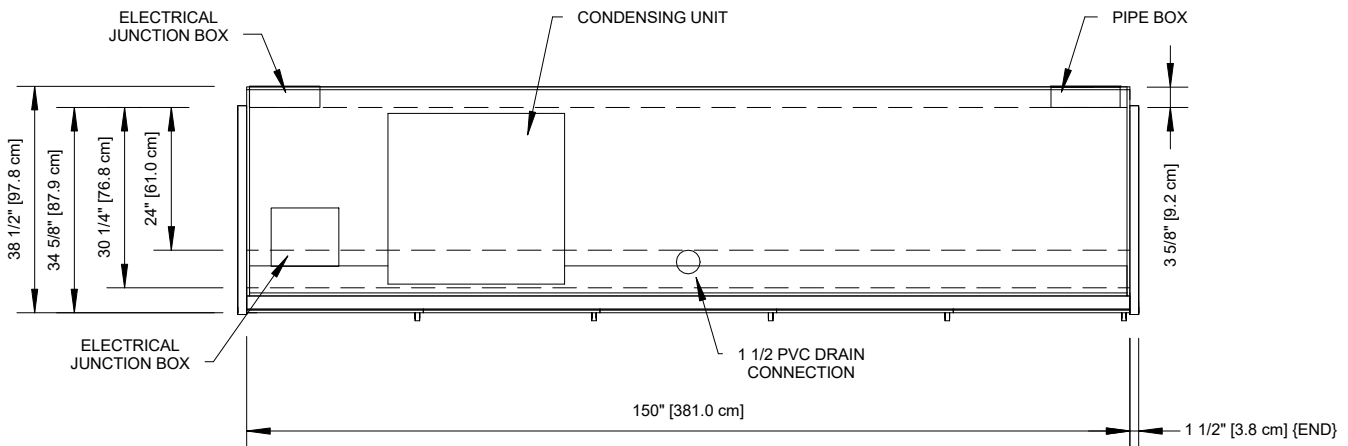
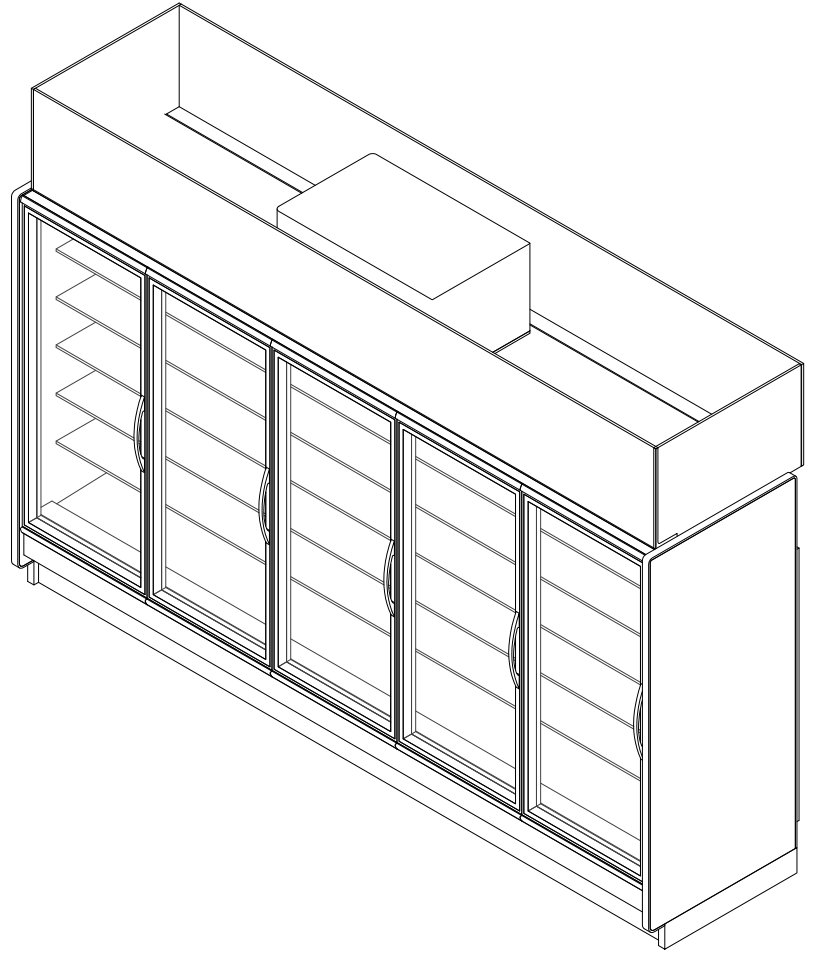
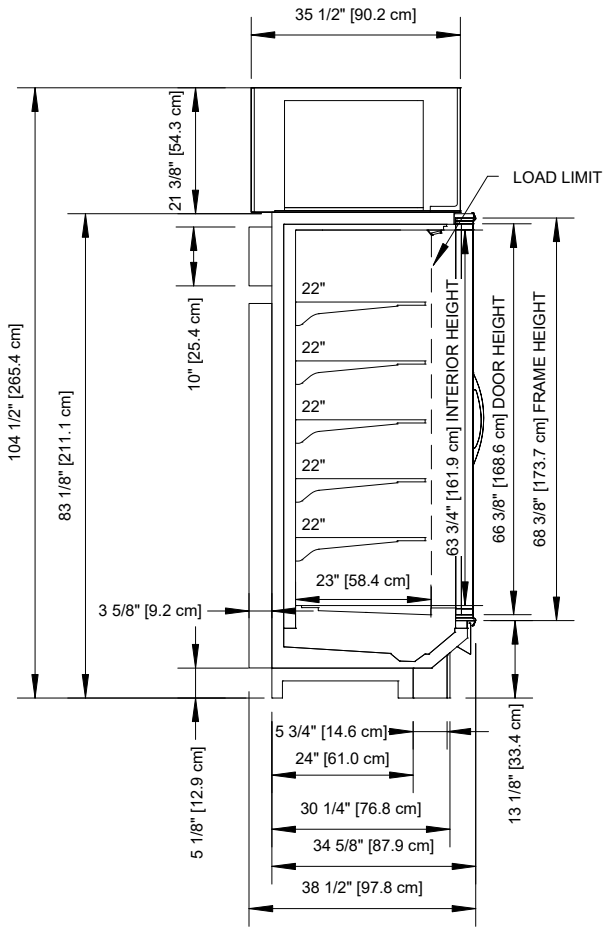
ALL MEASUREMENTS ARE TAKEN PER ASHRAE-72-2005 SPECIFICATIONS. HILLPHOENIX REFRIGERATED DISPLAY CASES FOR SALE IN THE UNITED STATES MEET OR EXCEED DEPARTMENT OF ENERGY 2017 REQUIREMENTS.

### JNRBHA 4 DOOR

Rev Date:	Rev #	Revision Description:
12-1-17	1	DOE 2017

**Hillphoenix**

A DOVER COMPANY



COMPONENT

ALL MEASUREMENTS ARE TAKEN PER ASHRAE-72-2005 SPECIFICATIONS. HILLPHOENIX REFRIGERATED DISPLAY CASES FOR SALE IN THE UNITED STATES MEET OR EXCEED DEPARTMENT OF ENERGY 2017 REQUIREMENTS.

### JNRBHA 5 DOOR

Rev Date:	Rev #	Revision Description:
12-1-17	1	DOE 2017

**Hillphoenix**

A DOVER COMPANY