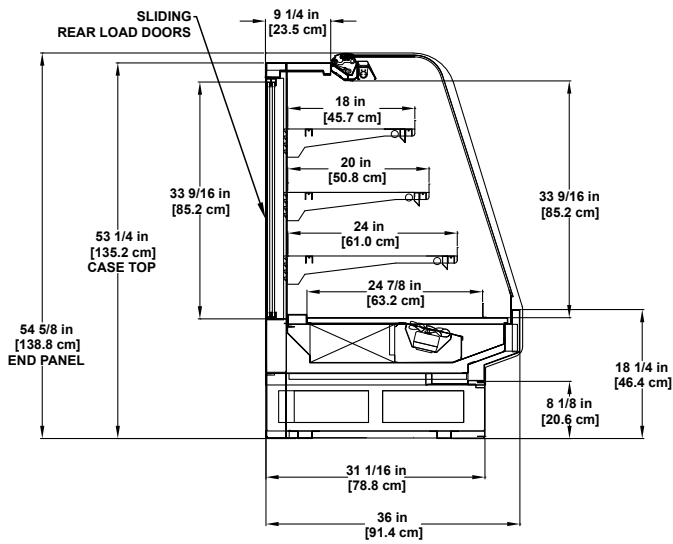


Service Multi-Deck

Refrigerated bakery merchandiser with curved front lift-glass.



Model KBC-R
Service Multi-Deck



Please consult Hillphoenix Engineering Reference Manual for dimensions, plan views and technical specifications. Specifications subject to change without notice. Designed for optional performance in store environments where temperature and humidity do not exceed 75 degrees and 55% R.H. Certified to UP 471 and ANSI/NSF Standard 7.

Available Options

- Glass or solid laminated interior or mirror polished ends.
- Exterior standard grade laminate.
- Interior or exterior stainless steel finish.
- Interior white or other custom color finish.
- Mirror polish stainless inside back.
- Painted base and end panel trim.
- Stainless steel outside back finish.
- Glass, black or white wire, or white painted metal shelving.
- Swing rear load doors.
- Cart Bumper.
- Remote glycol refrigeration and CO₂ packages.

Base Model Features

- Sled runner base construction.
- Standard 53-3/4”H and 36”D.
- Standard 8-1/8”H toekick.
- Painted metal exterior .
- Stainless steel exterior trim.
- Stainless steel front, side and rear base trim.
- Outside back and case top painted to match exterior.
- Reflective rear load doors.
- Single-pane, regular-glare lift front glass.
- Black painted metal interior and trim.
- (1)row each 18”, 20”, and 24” fixed flat, adjustable glass shelving.
- Clearvoyant LED top light.
- Clearvoyant LED undershelf lighting.
- Rear electrical raceway.
- Sliding rear load doors.
- Energy efficient fans.
- Remote DX refrigeraton packages.



Conyers, GA USA
844.591.5937
hillphoenix.com

©2017 Hillphoenix, Inc.

FD--KBC-Rv0917