

# Self-Service Multi-Deck Merchandiser w/ Doors

## NFD REMOTE - 1, 2, 3, 4 & 5 Door

### Electrical Data

| Model |        | Fans per Case | High Efficiency Fans |       | Anti-Condensate Fans |       | Drain Heaters |       | Optional Defrost Heaters |       |
|-------|--------|---------------|----------------------|-------|----------------------|-------|---------------|-------|--------------------------|-------|
|       |        |               | 120 Volts            |       | 120 Volts            |       | 120 Volts     |       | 208 Volts                |       |
|       |        |               | Amps                 | Watts | Amps                 | Watts | Amps          | Watts | Amps                     | Watts |
| NFD   | 1 door | 1             | 0.3                  | 36    | ---                  | ---   | ---           | ---   | ---                      | ---   |
|       | 2 door | 2             | 0.6                  | 72    | ---                  | ---   | ---           | ---   | ---                      | ---   |
|       | 3 door | 3             | 0.9                  | 108   | ---                  | ---   | ---           | ---   | ---                      | ---   |
|       | 4 door | 4             | 1.2                  | 144   | ---                  | ---   | ---           | ---   | ---                      | ---   |
|       | 5 door | 5             | 1.5                  | 180   | ---                  | ---   | ---           | ---   | ---                      | ---   |

### Lighting Data (Floral)

| Model        |        | Horizontal Lighting |                   |  |       |                      |       | Vertical Door Lighting |                   |  |       |            |       |
|--------------|--------|---------------------|-------------------|--|-------|----------------------|-------|------------------------|-------------------|--|-------|------------|-------|
|              |        | Lights per Row      | Light Length (ft) | Clearvoyant 4 LED Lighting (Per Light Row) |       |                      |       | Lights per Row         | Light Length (ft) | Clearvoyant 4 LED Lighting (Per Light Row) |       |            |       |
|              |        |                     |                   | Standard Power (Cornice or Shelf)          |       | High Power (Cornice) |       |                        |                   | Standard Power                             |       | High Power |       |
|              |        |                     |                   | 120 Volts                                  |       | 120 Volts            |       |                        |                   | 120 Volts                                  |       | 120 Volts  |       |
|              |        |                     |                   | Amps                                       | Watts | Amps                 | Watts |                        |                   | Amps                                       | Watts | Amps       | Watts |
| NFD (FLORAL) | 1 door | 1                   | 2                 | 0.03                                       | 3.1   | 0.06                 | 7.8   | 2                      | 5                 | 0.12                                       | 15    | 0.3        | 37    |
|              | 2 door | 1                   | 5                 | 0.06                                       | 7.5   | 0.15                 | 18.5  | 2                      | 5                 | 0.12                                       | 15    | 0.3        | 37    |
|              | 3 door | 2                   | 3                 | 0.08                                       | 9.4   | 0.2                  | 23.8  | 4                      | 5                 | 0.24                                       | 30    | 0.6        | 74    |
|              | 4 door | 2                   | 5                 | 0.12                                       | 15.0  | 0.3                  | 37    | 5                      | 5                 | 0.3  | 37.5  | 0.75       | 92.5  |
|              | 5 door | 3                   | 4                 | 0.15                                       | 17.7  | 0.36                 | 44.7  | 6                      | 5                 | 0.36                                       | 45    | 0.9        | 111   |

### Lighting Data (Wine)

| Model      |        | Horizontal Lighting |                   |  |       |                      |       | Vertical Door Lighting |                   |  |       |            |       |
|------------|--------|---------------------|-------------------|--|-------|----------------------|-------|------------------------|-------------------|--|-------|------------|-------|
|            |        | Lights per Row      | Light Length (ft) | Clearvoyant 4 LED Lighting (Per Light Row) |       |                      |       | Lights per Row         | Light Length (ft) | Clearvoyant 4 LED Lighting (Per Light Row) |       |            |       |
|            |        |                     |                   | Standard Power (Cornice or Shelf)          |       | High Power (Cornice) |       |                        |                   | Standard Power                             |       | High Power |       |
|            |        |                     |                   | 120 Volts                                  |       | 120 Volts            |       |                        |                   | 120 Volts                                  |       | 120 Volts  |       |
|            |        |                     |                   | Amps                                       | Watts | Amps                 | Watts |                        |                   | Amps                                       | Watts | Amps       | Watts |
| NFD (WINE) | 1 door | 1                   | 2                 | 0.03                                       | 3.1   | 0.06                 | 7.8   | 2                      | 5                 | 0.12                                       | 15    | 0.3        | 37    |
|            | 2 door | 2                   | 2                 | 0.06                                       | 6.2   | 0.12                 | 15.6  | 2                      | 5                 | 0.12                                       | 15    | 0.3        | 37    |
|            | 3 door | 3                   | 2                 | 0.09                                       | 9.3   | 0.18                 | 23.4  | 4                      | 5                 | 0.24                                       | 30    | 0.6        | 74    |
|            | 4 door | 4                   | 2                 | 0.12                                       | 12.4  | 0.24                 | 31.2  | 5                      | 5                 | 0.3  | 37.5  | 0.75       | 92.5  |
|            | 5 door | 5                   | 2                 | 0.15                                       | 15.5  | 0.3                  | 39    | 6                      | 5                 | 0.36                                       | 45    | 0.9        | 111   |

### Guidelines & Control Settings (DX)

| Model | Conventional<br>²BTUH/ft | Parallel<br>³BTUH/ft | Superheat<br>Set Point @ Bulb<br>(°F) | Evaporator<br>(°F) | Discharge<br>Air<br>(°F) | Discharge Air⁴<br>Velocity<br>(FPM) |
|-------|--------------------------|----------------------|---------------------------------------|--------------------|--------------------------|-------------------------------------|
| NFD   | 397                      | 391                  | 8-9                                   | 35                 | 52-55                    | 100                                 |

Engineered for stores with ambient conditions not to exceed 75° and 55% relative humidity.

Due to engineering improvements specifications may change without notice.

All measurements are taken per ASHRAE - 72 - 2005 specifications.

Hillphoenix refrigerated display cases for sale in the United States meet or exceed department of energy 2017 efficiency requirements.

Numbers are based on standard case sizes. Consult engineering.



**Defrost Controls**

| Model | Defrosts per Day | Run-Off Time (min) | Electric Defrost |                       | Timed-Off Defrost   |                       | Hot Gas Defrost |                       |
|-------|------------------|--------------------|------------------|-----------------------|---------------------|-----------------------|-----------------|-----------------------|
|       |                  |                    | Fail-Safe (min)  | Termination Temp (°F) | Fail-Safe (min)     | Termination Temp (°F) | Fail-Safe (min) | Termination Temp (°F) |
| NFD   | 1                | ---                | ---              | ---                   | 20/ <sup>5</sup> 15 | 45                    | ---             | ---                   |

- 1 NOTE: "---" indicates data not applicable.
- 2,3 Listed BTUH indicates unlighted shelves. Add the following for lighted shelves:
  - 4' Shelf LED: 36 BTUH
  - 4' Canopy LED: 72 BTUH
  - 3' Shelf LED: 27 BTUH
  - 3' Hi-Output LED: 54 BTUH
- 4 Average discharge air velocity at peak of defrost.
- 5 Time-off duration for defrost with no termination control.

SELF-SERVICE  
MULTI-DECK

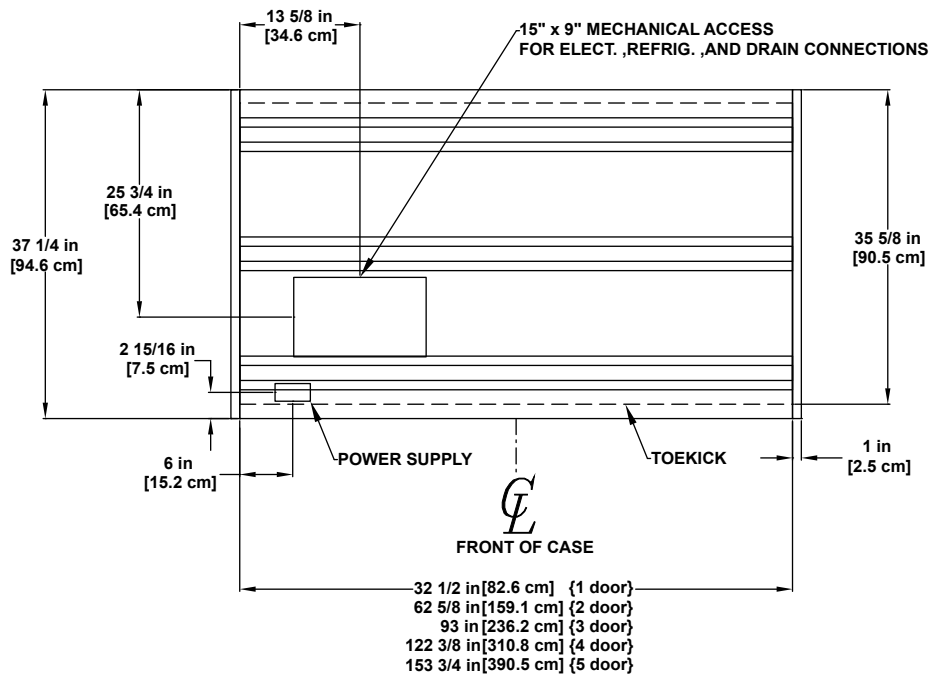
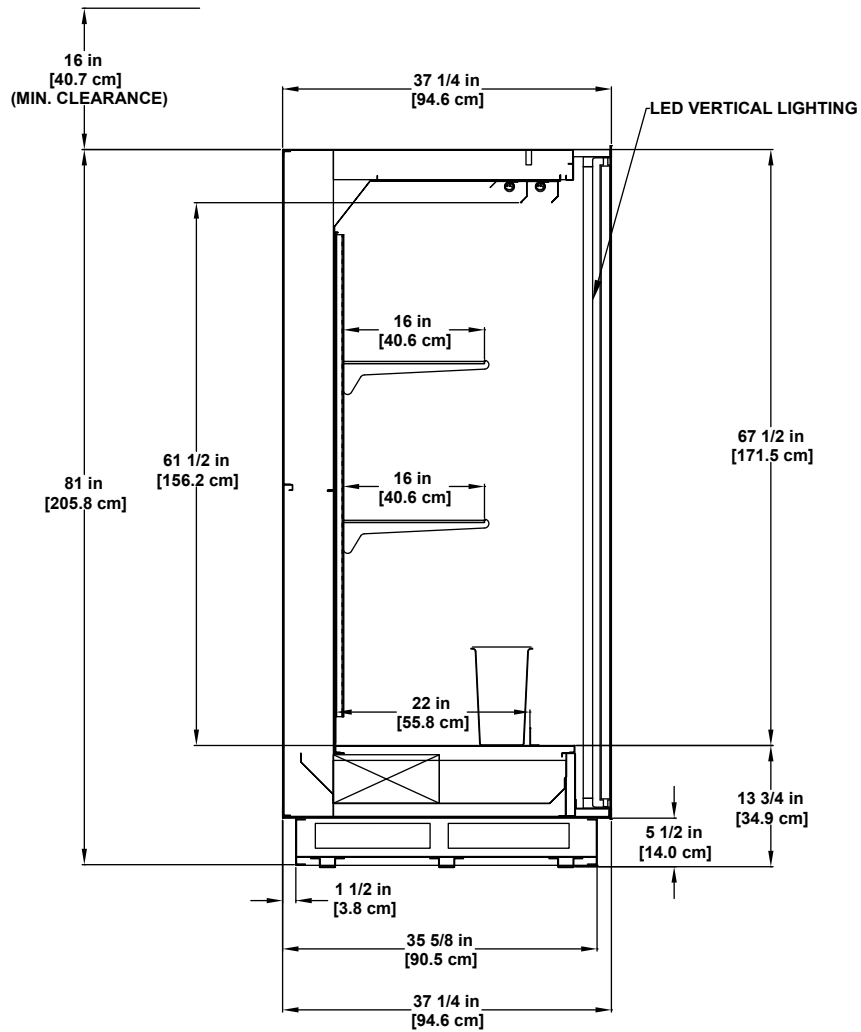
Floral / Wine



Engineered for stores with ambient conditions not to exceed 75° and 55% relative humidity. Due to engineering improvements specifications may change without notice. All measurements are taken per ASHRAE - 72 - 2005 specifications. Hillphoenix refrigerated display cases for sale in the United States meet or exceed department of energy 2017 efficiency requirements. Numbers are based on standard case sizes. Consult engineering.



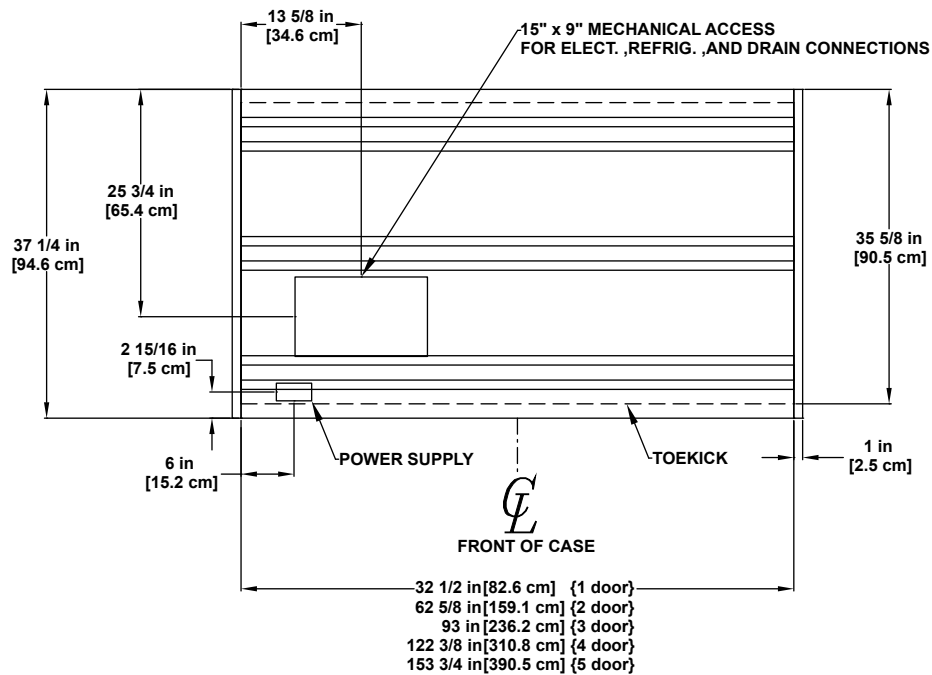
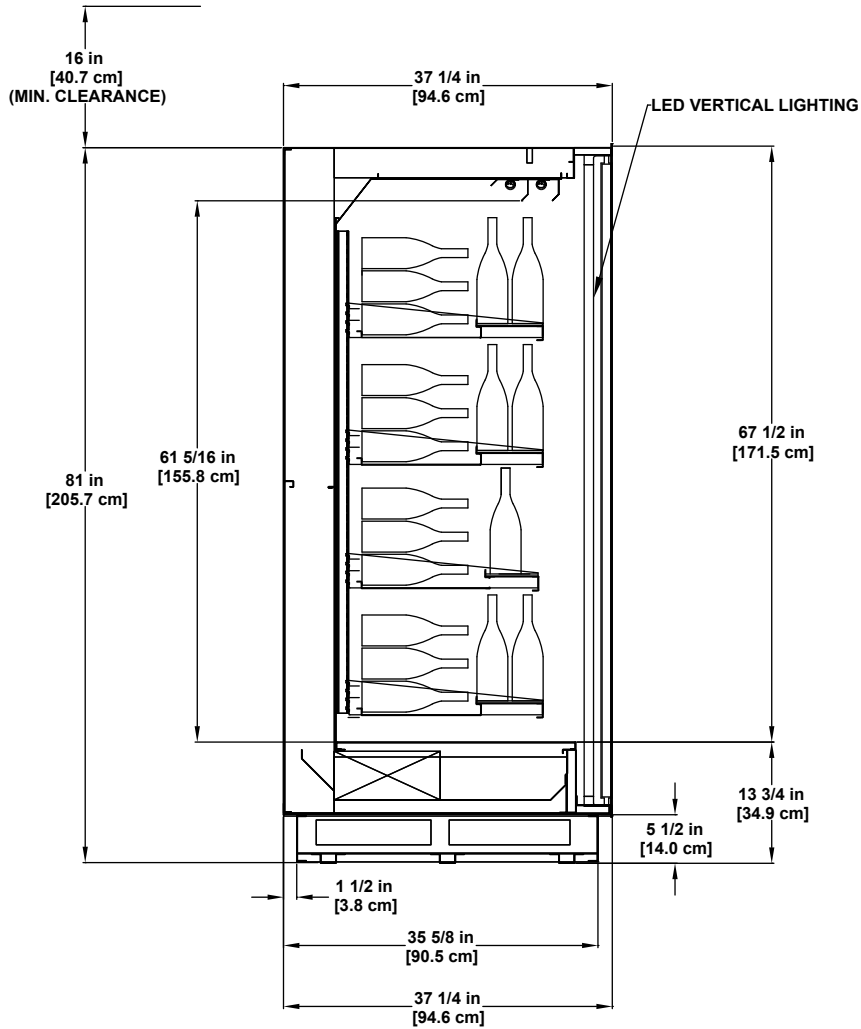
# NFD FLORAL (Remote)



# NFD WINE (Remote)

**Hillphoenix**

A DOVER COMPANY



SELF-SERVICE  
MULTI-DECK

Floral / Wine

