

Self-Service Multi-Deck Merchandiser w/ Doors

NFD REMOTE - 1, 2, 3, 4, & 5 Door

Electrical Data

Model		Fans per Case	High Efficiency Fans		Anti-Condensate Fans		Drain Heaters		Optional Defrost Heaters	
			120 Volts		120 Volts		120 Volts		208 Volts	
			Amps	Watts	Amps	Watts	Amps	Watts	Amps	Watts
NFD	1 door	1	0.3	36	---	---	---	---	---	---
	2 door	2	0.6	72	---	---	---	---	---	---
	3 door	3	0.9	108	---	---	---	---	---	---
	4 door	4	1.2	144	---	---	---	---	---	---
	5 door	5	1.5	180	---	---	---	---	---	---

Lighting Data

Model		Lights per Row	Light Length (ft)	Fluorescent Lighting (Per Light Row)		Clearvoyant LED Lighting (Per Light Row)						
				120 Volts		Standard Power (Cornice or Shelf)			High Power (Cornice)			
				Amps	Watts	Amps	Watts	Maximum Allowable Rows	Amps	Watts	Maximum Allowable Rows	
NFD	1 door	1	2.7	0.15	18.0	6	0.05	6.0	4	0.1	5.4	2
	2 door	1	5.2	0.27	32.4	6	0.10	11.9	4	0.18	21.5	2
	3 door	2	7.8	0.34	68.0	6	0.14	16.6	4	0.24	29.8	2
	4 door	2	10.2	0.47	56.0	6	0.2	23.8	4	0.36	43.0	2
	5 door	3	12.8	0.69	136	6	0.3	36.0	4	0.36	44.7	2

Guidelines & Control Settings (DX)

Model	Conventional ² BTUH/ft	Parallel ³ BTUH/ft	Superheat Set Point @ Bulb (°F)	Evaporator (°F)	Discharge Air (°F)	Discharge Air ⁴ Velocity (FPM)
NFD	316	313	10-12	35	46	180

Defrost Controls

Model	Defrosts per Day	Run-Off Time (min)	Electric Defrost		Timed-Off Defrost		Hot Gas Defrost	
			Fail-Safe (min)	Termination Temp (°F)	Fail-Safe (min)	Termination Temp (°F)	Fail-Safe (min)	Termination Temp (°F)
NFD	1	---	---	---	20/ ⁵ 15	45	---	---

1 NOTE: "-" indicates data not applicable.

2,3 Listed BTUH indicates unlighted shelves. Add the following for lighted shelves:

4' Fluorescent: 80 BTUH

3' Fluorescent: 60 BTUH

4' Shelf LED: 36 BTUH

4' Canopy LED: 72 BTUH

3' Shelf LED: 27 BTUH

3' Hi-Output LED: 54 BTUH

4 Average discharge air velocity at peak of defrost.

5 Time-off duration for defrost with no termination control.

Engineered for stores with ambient conditions not to exceed 75° and 55% relative humidity.

Due to engineering improvements specifications may change without notice.

All measurements are taken per ASHRAE - 72 - 2005 specifications.

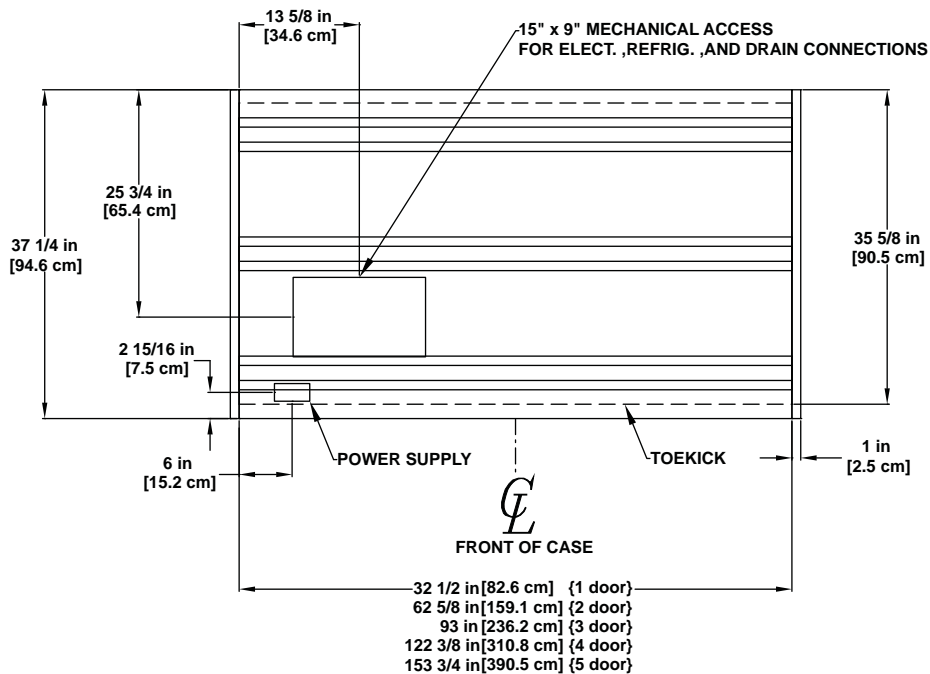
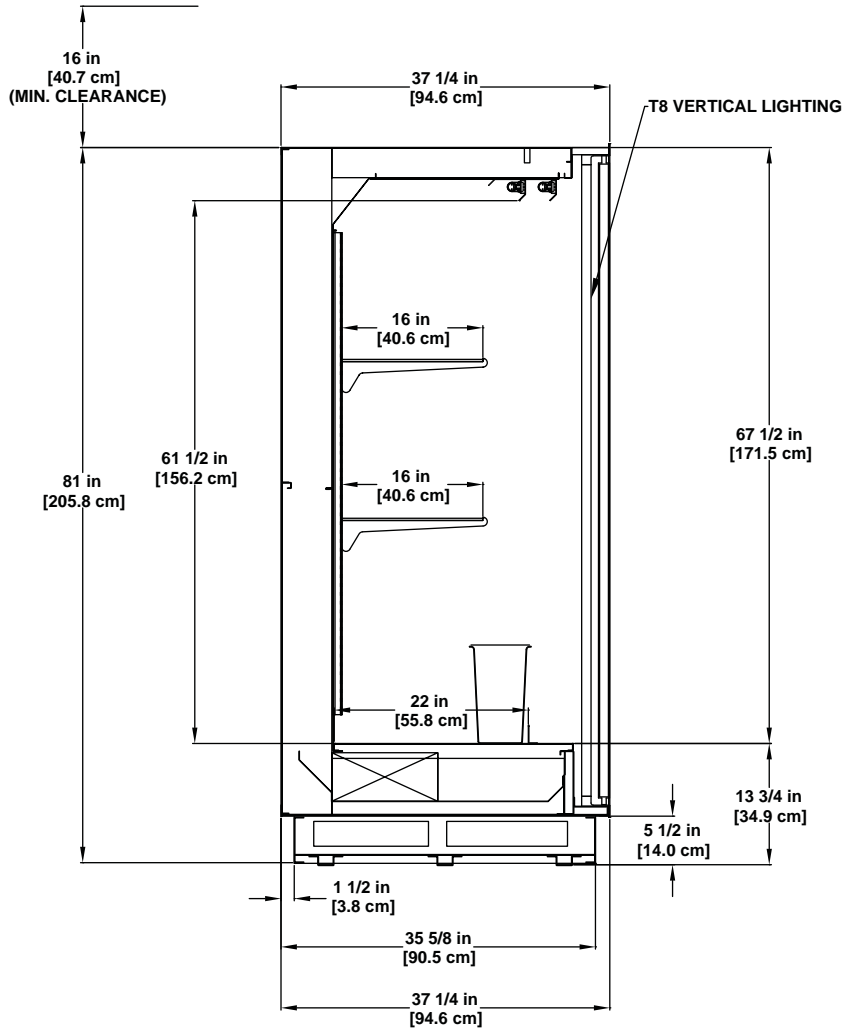
Numbers are based on standard case sizes. Consult engineering.



NFD FLORAL (Remote)

Hillphoenix

A DOVER COMPANY



SELF-SERVICE
MULTI-DECK

Floral / Wine

