

SHIPPING WEIGHT	
Case	Weight
O2DMZD	---



ALL MEASUREMENTS ARE TAKEN PER ASHRAE-72-2005 SPECIFICATIONS. HILLPHOENIX REFRIGERATED DISPLAY CASES FOR SALE IN THE UNITED STATES MEET OR EXCEED DEPARTMENT OF ENERGY 2017 REQUIREMENTS.

## O2DMZD

Rev Date:	Rev #	Revision Description:
4/10/18	2	NEW STANDARDS
5/4/17	1	DOE 2017

ELECTRICAL DATA									
Case Length	Fans Per Case	High Efficiency Fans		Anti Condensate Heaters		Defrost Heaters			
		120 Volts		120 Volts		208 Volts		240 Volts	
		Amps	Watts	Amps	Watts	Amps	Watts	Amps	Watts
4'	1	0.15	11.0	0.52	62.4	5.70	1200	6.60	1598
6'	2	0.30	22.0	0.78	93.6	8.70	1800	10.00	2400
8'	2	0.30	22.0	1.04	124.8	11.50	2400	13.30	3195
12'	3	0.45	33.0	1.56	187.2	17.30	3600	20.00	4795

LIGHTING DATA				
Case Length	Lights Per Row	Light Length	Clearvoyant v4 LED Lighting (Per Light Row)	
			Standard Power Shelf	
			120 Volts	
Amps	Watts			
4'	1	4'	0.05	5.9
6'	2	3'	0.08	9.4
8'	2	4'	0.10	11.8
12'	3	4'	0.15	17.6

GUIDELINES AND CONTROL SETTINGS					
BTUH/ft		Super Heat Set Point @ bulb (°F)	Evaporator (°F)	Discharge Air (°F)	Discharge Air Velocity (FPM)
Conventional	Parallel				
215	210	3 - 5	-17	-1	50

DEFROST CONTROLS					
Defrost Per Day	Run-Off Time (Min)	Electrical Defrost		Hot Gas Defrost	
		Fail-Safe (Min)	Termination Temp (°F)	Fail-Safe (Min)	Termination Temp (°F)
1	8 - 10	45	48	30	60

**NOTES:**

- LED lights only.
- Maximum of 1 row of Standard Output LED lighted shelves.
- Listed discharge air velocity represents the average velocity at the peak of defrost. 50 fpm air flow is measured in the top slots of the rear baffle. Air flow at the honeycomb is ~10 fpm.
- Temperature and defrost settings listed above are recommended start-up settings. Final operational settings may need to be adjusted for the store conditions in which the case operates.
- The recommended evaporator temperatures may need to be adjusted based on system setup, store conditions, etc. The minimum recommended evaporator temperature is 4°F below the listed evaporator temperature.

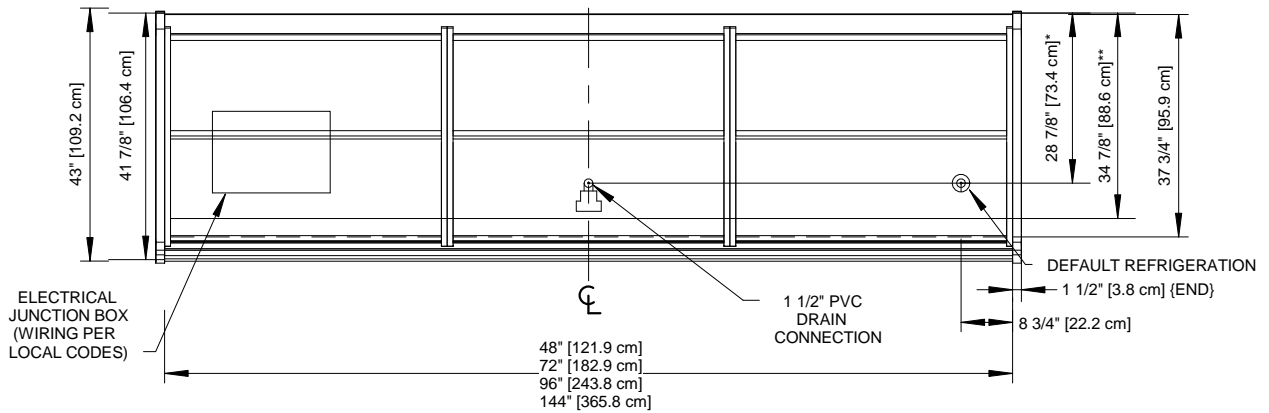
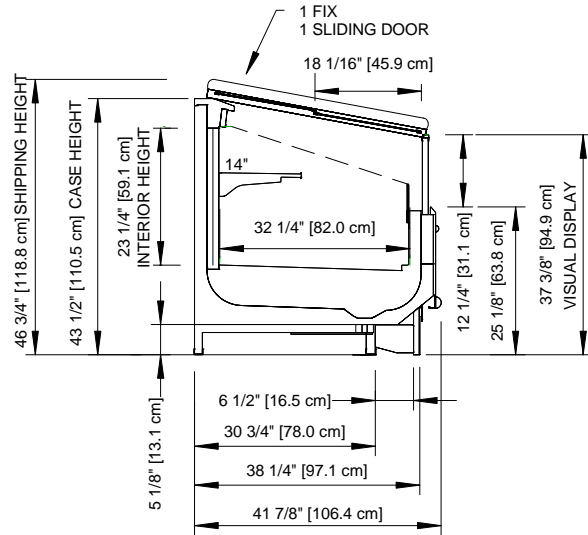


## O2DMZD

ALL MEASUREMENTS ARE TAKEN PER ASHRAE-72-2005 SPECIFICATIONS. HILLPHOENIX REFRIGERATED DISPLAY CASES FOR SALE IN THE UNITED STATES MEET OR EXCEED DEPARTMENT OF ENERGY 2017 REQUIREMENTS.

Rev Date:	Rev #	Revision Description:
4/10/18	2	NEW STANDARDS
5/4/17	1	DOE 2017





**NOTES:**

- \* STUB-UP AREA
- \*\* RECOMMENDED STUB-UP CENTERLINE FOR ELECTRICAL AND HUB DRAINS

- Front and rear sill heights vary with baseframe height
- Ends add approximately 1" to case height
- Dashed lines signify area inside the base rail behind kick plate



## O2DMZD

ALL MEASUREMENTS ARE TAKEN PER ASHRAE-72-2005 SPECIFICATIONS. HILLPHOENIX REFRIGERATED DISPLAY CASES FOR SALE IN THE UNITED STATES MEET OR EXCEED DEPARTMENT OF ENERGY 2017 REQUIREMENTS.

Rev Date:	Rev #	Revision Description:
4/10/18	2	NEW STANDARDS
5/4/17	1	DOE 2017