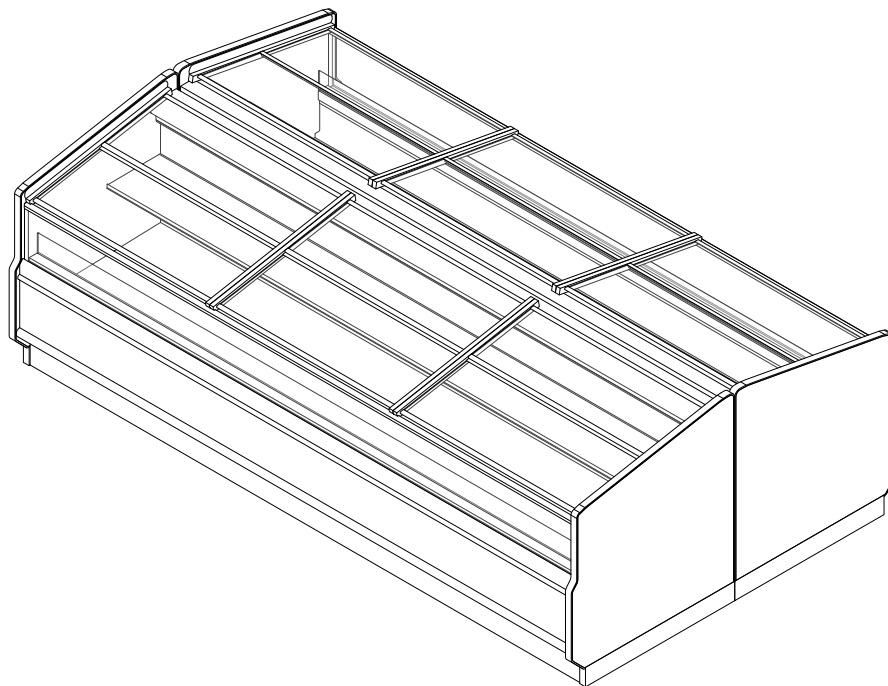


# O2DMZD

Low Temp Island Merchandiser  
4', 6', 8', 12' Frozen Food

## GENERAL NOTES:

- "---" Indicates that the feature is not an option for this case model and/or the data is not yet available.
- Maximum of 1 row of Standard Output LED lighted shelves.
- 2 rows of standard or 1 row of rear sill high output LED lights only.



| SHIPPING WEIGHT |        |
|-----------------|--------|
| Case            | Weight |
| O2DMZD          | ---    |



COMPONENT

ALL MEASUREMENTS ARE TAKEN PER ASHRAE-72-2005 SPECIFICATIONS. HILLPHOENIX REFRIGERATED DISPLAY CASES FOR SALE IN THE UNITED STATES MEET OR EXCEED DEPARTMENT OF ENERGY 2017 REQUIREMENTS.

## O2DMZD

| Rev. Date | Rev. # | Rev. Title    |
|-----------|--------|---------------|
| 9-26-18   | 3      | T.A.G. UPDATE |
| 4-10-18   | 2      | NEW STANDARDS |

**Hillphoenix**  
A DOVER COMPANY

| ELECTRICAL DATA |               |                      |       |                         |       |                 |       |           |       |
|-----------------|---------------|----------------------|-------|-------------------------|-------|-----------------|-------|-----------|-------|
| Case Length     | Fans Per Case | High Efficiency Fans |       | Anti Condensate Heaters |       | Defrost Heaters |       |           |       |
|                 |               | 120 Volt             |       | 120 Volts               |       | 208 Volts       |       | 240 Volts |       |
|                 |               | Amps                 | Watts | Amps                    | Watts | Amps            | Watts | Amps      | Watts |
| 4'              | 1             | 0.15                 | 11.0  | 0.52                    | 62.4  | 5.7             | 1200  | 6.6       | 1598  |
| 6'              | 2             | 0.30                 | 22.0  | 0.78                    | 93.6  | 8.7             | 1800  | 10.0      | 2400  |
| 8'              | 2             | 0.30                 | 22.0  | 1.04                    | 124.8 | 11.5            | 2400  | 13.3      | 3195  |
| 12'             | 3             | 0.45                 | 22.0  | 1.56                    | 187.2 | 17.3            | 3600  | 20.0      | 4795  |

| LIGHTING DATA |                |                             |      |  |  |
|---------------|----------------|-----------------------------|------|--|--|
| Case Length   | Lights per row | Clearvoyant v4 LED Lighting |      |  |  |
|               |                | Standard Power (Shelf)      |      |  |  |
|               |                | 120 Volts                   |      |  |  |
| Amps          | Watts          |                             |      |  |  |
| 4'            | 1              | 0.05                        | 5.9  |  |  |
| 6'            | 2              | 0.08                        | 9.4  |  |  |
| 8'            | 2              | 0.10                        | 11.8 |  |  |
| 12'           | 3              | 0.15                        | 17.6 |  |  |

| GUIDELINES AND CONTROL SETTINGS |          |                                 |                 |                    |                              |
|---------------------------------|----------|---------------------------------|-----------------|--------------------|------------------------------|
| BTUH/ft                         |          | Superheat Set Point @ Bulb (°F) | Evaporator (°F) | Discharge Air (°F) | Discharge Air Velocity (FPM) |
| Conventional                    | Parallel |                                 |                 |                    |                              |
| 215                             | 210      | 3 - 5                           | - 17            | - 1                | 50                           |

| DEFROST CONTROLS |                    |                  |                       |                 |                       |
|------------------|--------------------|------------------|-----------------------|-----------------|-----------------------|
| Defrosts Per Day | Run Off Time (Min) | Electric Defrost |                       | Hot Gas Defrost |                       |
|                  |                    | Fail-Safe (Min)  | Termination Temp (°F) | Fail Safe (Min) | Termination Temp (°F) |
| 1                | 8 - 10             | 45               | 48                    | 30              | 60                    |

**NOTES:**

- "---" Indicates that the feature is not an option for this case model and/or the data is not yet available.
- Listed discharge air velocity represents the average velocity at the peak of defrost. 50 fpm air flow is measured in the top slots of the rear baffle. Air flow at the honeycomb is ~10 fpm.
- Temperature and defrost settings listed above are recommended start-up settings. Final operational settings may need to be adjusted for the store conditions in which the case operates.
- The recommended evaporator temperatures may need to be adjusted based on system setup, store conditions, etc. The minimum recommended evaporator temperature is 4°F below the listed evaporator temperature.

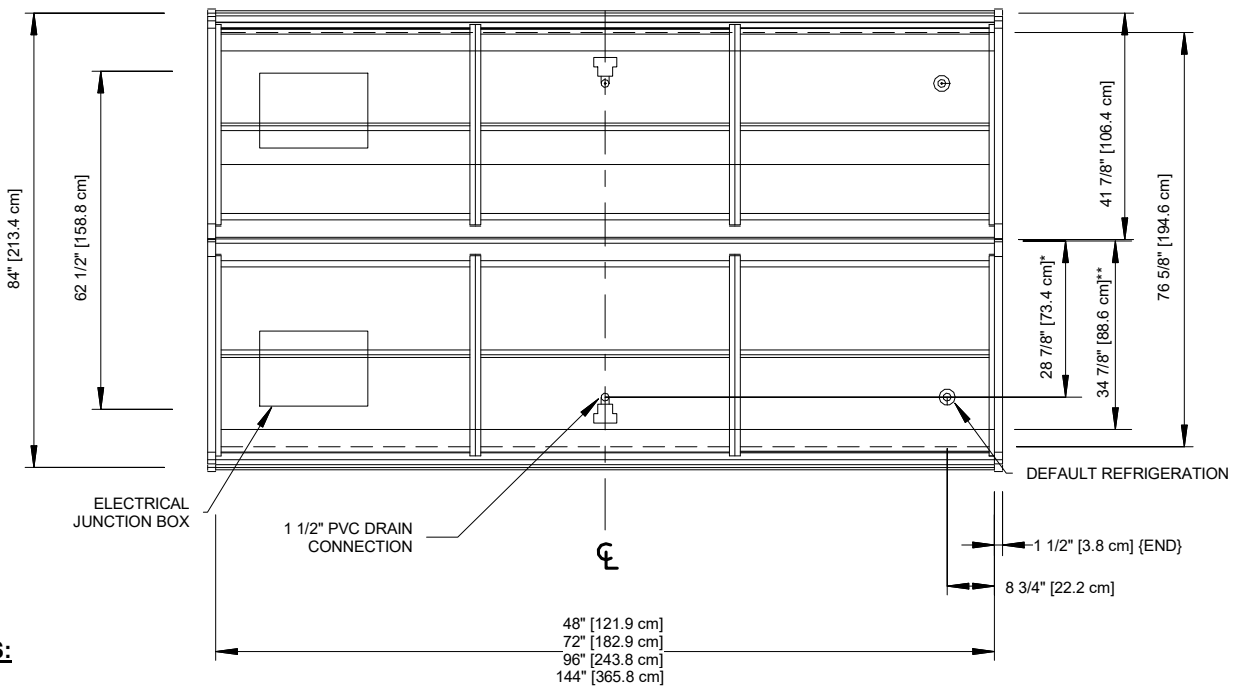
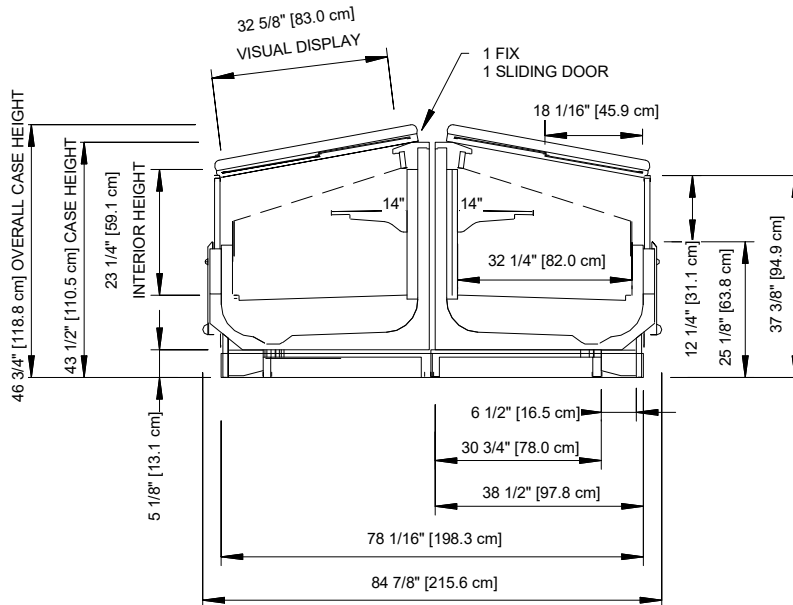


ALL MEASUREMENTS ARE TAKEN PER ASHRAE-72-2005 SPECIFICATIONS. HILLPHOENIX REFRIGERATED DISPLAY CASES FOR SALE IN THE UNITED STATES MEET OR EXCEED DEPARTMENT OF ENERGY 2017 REQUIREMENTS.

**O2DMZD**

| Rev. Date | Rev. # | Rev. Title    |
|-----------|--------|---------------|
| 9-26-18   | 3      | T.A.G. UPDATE |
| 4-10-18   | 2      | NEW STANDARDS |





**NOTES:**

- \* STUB-UP AREA
- \*\* RECOMMENDED STUB-UP CENTERLINE FOR ELECTRICAL AND HUB DRAINS

- Front and rear sill heights vary with base frame height.
- Ends add approximately 1" to case height.



ALL MEASUREMENTS ARE TAKEN PER ASHRAE-72-2005 SPECIFICATIONS. HILLPHOENIX REFRIGERATED DISPLAY CASES FOR SALE IN THE UNITED STATES MEET OR EXCEED DEPARTMENT OF ENERGY 2017 REQUIREMENTS.

**O2DMZD**

| Rev. Date | Rev. # | Rev. Title    |
|-----------|--------|---------------|
| 9-26-18   | 3      | T.A.G. UPDATE |
| 4-10-18   | 2      | NEW STANDARDS |