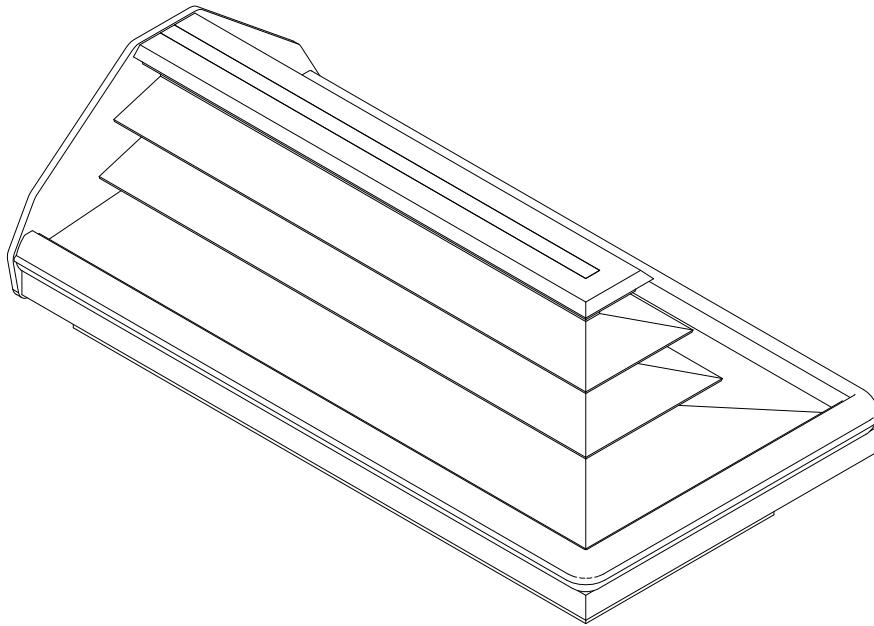


O3IPB

Wide Multi-Deck Island Merchandiser
8' & 12' (Produce) Single Wrap-Around End

GENERAL NOTES

- "---" indicates that the feature is not an option on this case model and/or the data is not yet available.
- LED lights only.



SHIPPING WEIGHT	
Case	Weight
O3IPB	---



ALL MEASUREMENTS ARE TAKEN PER ASHRAE-72-2005 SPECIFICATIONS. HILLPHOENIX REFRIGERATED DISPLAY CASES FOR SALE IN THE UNITED STATES MEET OR EXCEED DEPARTMENT OF ENERGY 2017 REQUIREMENTS.

O3IPB

Rev Date:	Rev #	Revision Description:
7-12-18	2	NEW STANDARDS
12-1-17	1	DOE 2017

Hillphoenix
A DOWDY COMPANY

O3IPB

Wide Multi-Deck Island Merchandiser
8' & 12' (Produce) Single Wrap-Around End

ELECTRICAL DATA									
Case Length	Fans Per Case	High Efficiency Fans		Anti Condensate Heaters		Defrost Heaters			
		120 Volts		120 Volts		208 Volt		240 Volt	
		Amps	Watts	Amps	Watts	Amps	Watts	Amps	Watts
8'	6	0.90	66.0	0.75	90.0	4.34	902	5.00	1200
12'	8	1.20	88.0	1.18	140.8	7.22	1502	8.33	2000

LIGHTING DATA							
Case Length	Shelf Depth	Lights Per Row	Light Length	Clearvoyant v4 LED Lighting (Per Light Row)			
				Standard Power		High Power Power	
				Cornice or Shelf		Cornice Only	
				120 Volts		120 Volts	
				Amps	Watts	Amps	Watts
8'	Top Sill	5	1 (2ft), 4 (3ft)	0.18	21.9	0.46	55.3
8'	12"	5	2 (0.5ft), 1 (1ft), 2 (4ft)	0.13	15.8	---	---
8'	16"	6	3 (0.5ft), 1 (1ft), 2 (4ft)	0.14	16.8	---	---
12'	Top Sill	7	1 (2ft), 6 (3ft)	0.26	31.3	0.66	79.1
12'	12"	7	2 (0.5ft), 1 (1ft), 4 (4ft)	0.23	27.5	---	---
12'	16"	8	3 (0.5ft), 1 (1ft), 4 (4ft)	0.24	28.6	---	---

GUIDLINES AND CONTROL SETTINGS					
BTUH/ft		Super Heat Set Point @ bulb (°F)	Evaporator (°F)	Discharge Air (°F)	Discharge Air Velocity (FPM)
Conventional	Parallel				
1045	946	6 - 8	22	34	160

DEFROST CONTROLS							
Defrost Per Day	Run-Off Time (Min)	Electrical Defrost		Timed-Off Defrost		Hot Gas Defrost	
		Fail-Safe (Min)	Termination Temp (°F)	Fail-Safe (Min)	Termination Temp (°F)	Fail-Safe (Min)	Termination Temp (°F)
4	6 - 8	30	47	44	38	26	45

NOTES

- "---" indicates that the feature is not an option on this case model and/or the data is not yet available.
- Listed LED lighting values represent a full row of shelves (including wrap-around ends).
- Listed BTUH/ft data represents unlighted shelves. For LED lighting, add 9 BTUH/ft per row of lighted shelving.
- Load data represents the sum of both coils.
- Add 650 BTUH per wrap-around end.
- Listed evaporator temperature represents unlighted shelves. For lighted shelves and/or aftermarket merchandising accessories, reduce the listed evaporator temperature by 2°F.
- BTUH load increases by 132 BTUH/ft when aftermarket merchandising accessories are utilized.
- Listed discharge air velocity represents the average velocity at the peak of defrost.
- Temperature and defrost settings listed above are recommended start-up settings. Final operational settings may need to be adjusted for the store conditions in which the case operates.
- The recommended evaporator temperatures may need to be adjusted based on system setup, store conditions, etc. The minimum recommended evaporator temperature is 4°F below the listed evaporator temperature.



ALL MEASUREMENTS ARE TAKEN PER ASHRAE-72-2005 SPECIFICATIONS. HILLPHOENIX REFRIGERATED DISPLAY CASES FOR SALE IN THE UNITED STATES MEET OR EXCEED DEPARTMENT OF ENERGY 2017 REQUIREMENTS.

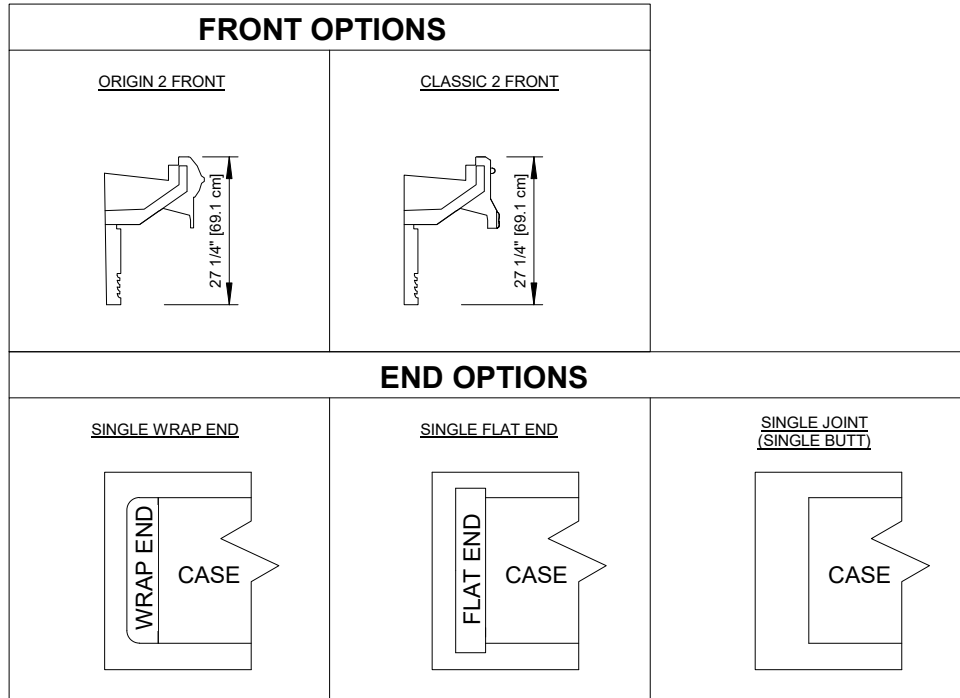
O3IPB

Rev Date:	Rev #	Revision Description:
7-12-18	2	NEW STANDARDS
12-1-17	1	DOE 2017

Hillphoenix
A BOWEN COMPANY

O3IPB

Wide Multi-Deck Island Merchandiser
8' & 12' (Produce) Single Wrap-Around End



ALL MEASUREMENTS ARE TAKEN PER ASHRAE-72-2005 SPECIFICATIONS. HILLPHOENIX REFRIGERATED DISPLAY CASES FOR SALE IN THE UNITED STATES MEET OR EXCEED DEPARTMENT OF ENERGY 2017 REQUIREMENTS.

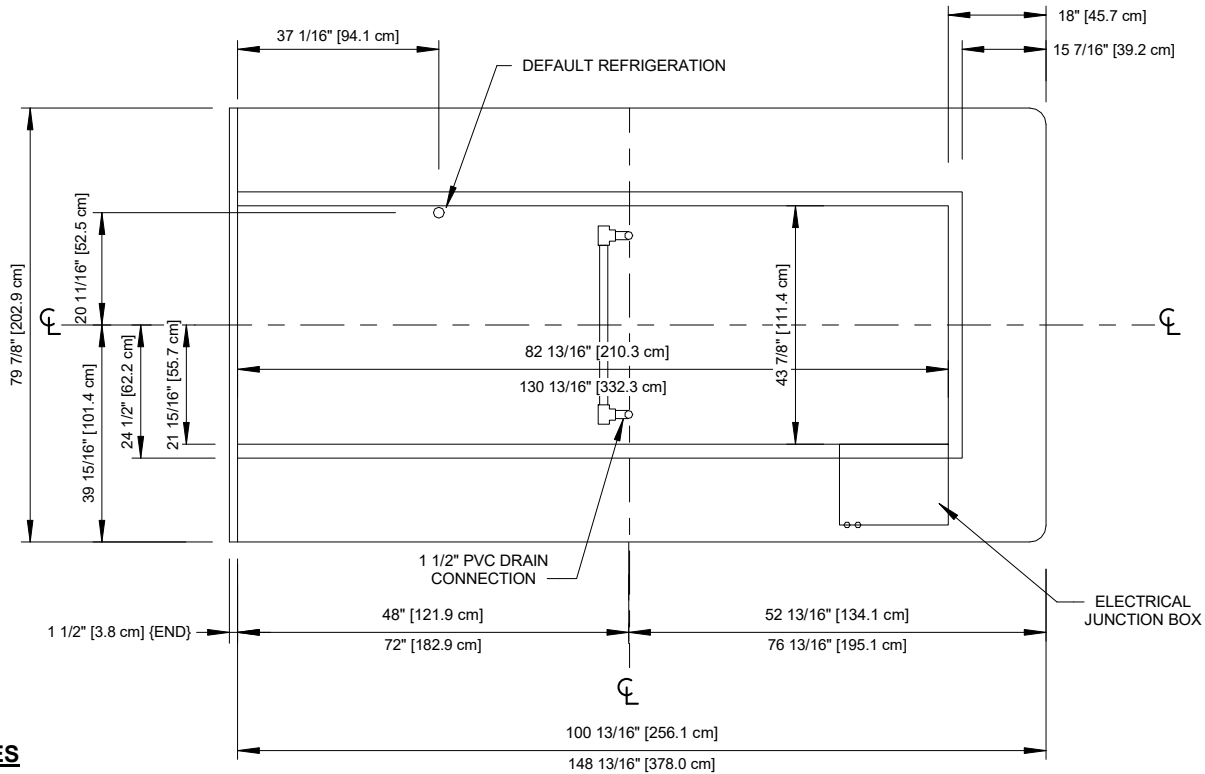
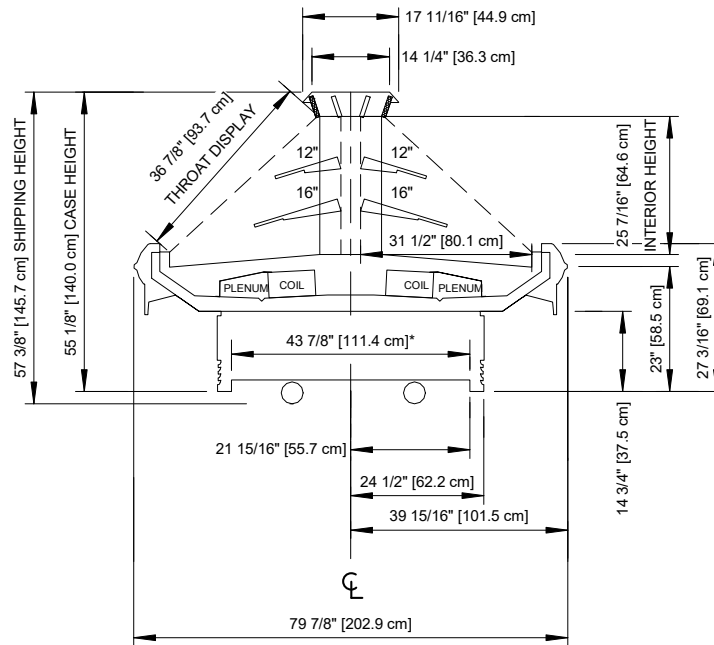
O3IPB

Rev Date:	Rev #	Revision Description:
7-12-18	2	NEW STANDARDS
12-1-17	1	DOE 2017

Hillphoenix
A BOWEN COMPANY

O3IPB

Wide Multi-Deck Island Merchandiser 8' & 12' (Produce) Single Wrap-Around End



NOTES

- * :STUB-UP AREA
- ① :AVAILABLE SHELF SIZES: 12" & 16"
- Front and center sill heights vary with base frame height.



O3IPB

ALL MEASUREMENTS ARE TAKEN PER ASHRAE-72-2005 SPECIFICATIONS. HILLPHOENIX REFRIGERATED DISPLAY CASES FOR SALE IN THE UNITED STATES MEET OR EXCEED DEPARTMENT OF ENERGY 2017 REQUIREMENTS.

Rev Date:	Rev #	Revision Description:
7-12-18	2	NEW STANDARDS
12-1-17	1	DOE 2017

