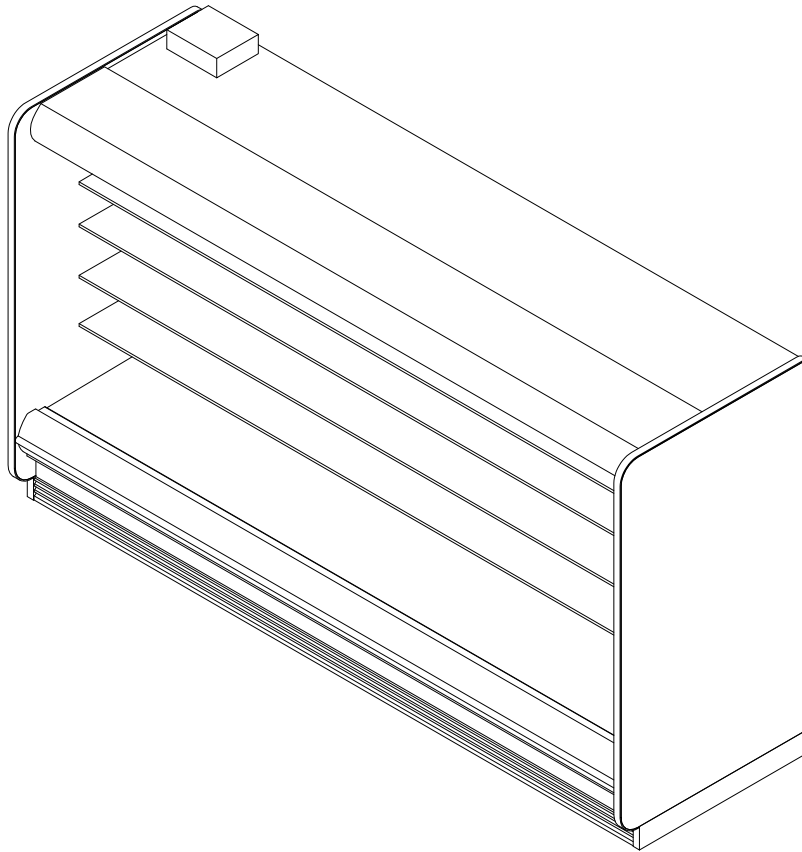


O5DR-NRG

Rear Load Multi-Deck Merchandiser with Synerg-E™
8' & 12' (Beverage / Dairy) - For use against cooler only

GENERAL NOTES

- "---" indicates that the feature is not an option for this case model and/or data is not available yet.
- LED lights only.
- Maximum of 4 rows of standard output LED lighted shelves.
- Rear-loading cases are designed for the rear door to open into an operating cooler.



SHIPPING WEIGHT	
Case	Weight
O5DR-NRG	---



COMPONENT

ALL MEASUREMENTS ARE TAKEN PER ASHRAE-72-2005 SPECIFICATIONS. HILLPHOENIX REFRIGERATED DISPLAY CASES FOR SALE IN THE UNITED STATES MEET OR EXCEED DEPARTMENT OF ENERGY 2017 REQUIREMENTS.

O5DR-NRG

Rev Date:	Rev #	Revision Description:
9-27-18	3	DATA UPDATE
7-3-18	2	NEW STANDARDS

Hillphoenix
A DOVER COMPANY

O5DR-NRG

Rear Load Multi-Deck Merchandiser with Synerg-E™
8' & 12' (Beverage / Dairy) - For use against cooler only

ELECTRICAL DATA			
Case Length	Fans Per Case	High Efficiency Fans	
		120 Volt	
		Amps	Watts
8'	4	0.90	67.0
12'	6	1.35	100.0

LIGHTING DATA					
Case Length	Lights per row	Clearvoyant v4 LED Lighting (Per Light Row)			
		Standard Power (Cornice or Shelf)		High Power (Cornice Only)	
		120 Volts		120 Volts	
		Amps	Watts	Amps	Watts
8'	2	0.10	11.8	0.25	29.9
12'	3	0.15	17.6	0.37	44.8

GUIDELINES AND CONTROL SETTINGS							
Application	Front Sill height	BTUH/ft		Superheat Set Point @ Bulb (°F)	Evaporator (°F)	Discharge Air (°F)	Discharge Air Velocity (FPM)
		Conventional	Parallel				
Dairy	Std. Dairy	1400	1225	6 - 8	28	32	250
Dairy	2.5" Extended	1360	1190	6 - 8	28	32	250
Dairy	5" Extended	1331	1165	6 - 8	28	32	250
Dairy	7.5" Extended	1309	1145	6 - 8	28	32	250
Beverage	Std. Dairy	1075	1045	6 - 8	34	37	250
Beverage	2.5" Extended	1044	1015	6 - 8	34	37	250
Beverage	5" Extended	1008	980	6 - 8	34	37	250

DEFROST CONTROLS			
Application	Defrosts Per Day	Timed-Off Defrost	
		Fail-Safe (Min)	Termination Temp (F)
Dairy	6	40	47
Beverage	2	30	47

NOTES:

- "---" indicates that the feature is not an option for this case model and/or data is not available yet
- Listed BTUH/ft data represent unlighted shelves. For LED lighting, add 9 BTUH/ft per row of lighted shelving.
- BTUH load increases by 132 BTUH/ft when aftermarket merchandising accessories are utilized.
- Listed evaporator temperature represents unlighted shelves. For lighted shelves and/or aftermarket merchandising accessories, reduce the listed evaporator temperature by 2°F.
- Conventional Discharge Air Control – Recommended Settings: Cut-In Temp = Discharge Air + 2°F; Cut-Out Temp = Discharge Air - 2°F.
- Listed discharge air velocity represents the average velocity immediately after defrost.
- Temperature and defrost settings listed below are recommended start-up settings. Final operational settings may need to be adjusted for the store conditions in which the case operates.
- The recommended evaporator temperatures may need to be adjusted based on system setup, store conditions, etc. The minimum recommended evaporator temperature is 4°F below the listed evaporator temperature.



O5DR-NRG

ALL MEASUREMENTS ARE TAKEN PER ASHRAE-72-2005 SPECIFICATIONS. HILLPHOENIX REFRIGERATED DISPLAY CASES FOR SALE IN THE UNITED STATES MEET OR EXCEED DEPARTMENT OF ENERGY 2017 REQUIREMENTS.

Rev Date:	Rev #	Revision Description:
9-27-18	3	DATA UPDATE
7-3-18	2	NEW STANDARDS

Hillphoenix
A DOVER COMPANY

O5DR-NRG

Rear Load Multi-Deck Merchandiser with Synerg-E™
8' & 12' (Beverage / Dairy) - For use against cooler only

SECOND NATURE DATA								
Case Model	No. of Coils	Application	Front Sill Type	BTUH/ft (DR)		GPM/ft (DR)	Supply Fluid Temp (F)	Discharge Air Temp (F)
				Conventional	Parallel			
O5DR-NRG	1	Beverage/Bulk Produce	5" Extended	1008	980	0.20	20	37
O5DR-NRG	1	Beverage/Bulk Produce	2.5" Extended	1044	1015	0.20	20	37
O5DR-NRG	1	Beverage/Bulk Produce	Std. Dairy	1075	1045	0.21	20	37
O5DR-NRG	1	Dairy	7.5" Extended	1309	1145	0.34	20	32
O5DR-NRG	1	Dairy	5" Extended	1331	1165	0.34	20	32
O5DR-NRG	1	Dairy	2.5" Extended	1360	1190	0.35	20	32
O5DR-NRG	1	Dairy	Std. Dairy	1400	1225	0.36	20	32
O5DR-NRG	1	Beverage/Bulk Produce	7.5" Extended	1008	980	0.34	25	37
O5DR-NRG	1	Beverage/Bulk Produce	5" Extended	1044	1015	0.35	25	37
O5DR-NRG	1	Beverage/Bulk Produce	2.5" Extended	1075	1045	0.36	25	37
O5DR-NRG	1	Dairy	7.5" Extended	1309	1145	0.60	25	37
O5DR-NRG	1	Dairy	5" Extended	1331	1165	0.61	25	37
O5DR-NRG	1	Dairy	2.5" Extended	1360	1190	0.63	25	37
O5DR-NRG	1	Dairy	Std. Dairy	1400	1225	0.64	25	37

SECOND NATURE DATA								
Case Model	No. of Coils	Application	Front Sill Type	No. of Defrost	Timed Off Defrost		Warm Fluid Defrost	
					Fail Safe (Min)	Termination Temp (F)	Fail Safe (Min)	Termination Temp (F)
O5DR-NRG	1	Beverage/Bulk Produce	5" Extended	6	60	47	26	49
O5DR-NRG	1	Beverage/Bulk Produce	2.5" Extended	6	60	47	26	49
O5DR-NRG	1	Beverage/Bulk Produce	Std. Dairy	6	60	47	26	49
O5DR-NRG	1	Dairy	7.5" Extended	6	60	47	26	49
O5DR-NRG	1	Dairy	5" Extended	6	60	47	26	49
O5DR-NRG	1	Dairy	2.5" Extended	6	60	47	26	49
O5DR-NRG	1	Dairy	Std. Dairy	6	60	47	26	49
O5DR-NRG	1	Beverage/Bulk Produce	7.5" Extended	6	45	47	26	49
O5DR-NRG	1	Beverage/Bulk Produce	5" Extended	6	45	47	26	49
O5DR-NRG	1	Beverage/Bulk Produce	2.5" Extended	6	45	47	26	49
O5DR-NRG	1	Dairy	7.5" Extended	6	45	47	26	49
O5DR-NRG	1	Dairy	5" Extended	6	45	47	26	49
O5DR-NRG	1	Dairy	2.5" Extended	6	45	47	26	49
O5DR-NRG	1	Dairy	Std. Dairy	6	45	47	26	49



O5DR-NRG

ALL MEASUREMENTS ARE TAKEN PER ASHRAE-72-2005 SPECIFICATIONS. HILLPHOENIX REFRIGERATED DISPLAY CASES FOR SALE IN THE UNITED STATES MEET OR EXCEED DEPARTMENT OF ENERGY 2017 REQUIREMENTS.

Rev Date:	Rev #	Revision Description:
9-27-18	3	DATA UPDATE
7-3-18	2	NEW STANDARDS



O5DR-NRG

Rear Load Multi-Deck Merchandiser with Synerg-E™
8' & 12' (Beverage / Dairy) - For use against cooler only

FRONT OPTIONS		CORNICHE OPTIONS					
		CURVED CORNICE 41 5/8"	CURVED CORNICE WITH NIGHT COVER 44 7/8"	FACETED CORNICE 41 1/2"	FACETED CORNICE WITH NIGHT COVER 44 3/4"	FLAT CORNICE 40 1/4"	FLAT CORNICE WITH STANDARD NIGHT COVER 43 3/8"
FRONT OPTIONS	FLAT FRONT 2	STANDARD FRONT 19 7/8" [50.5 cm]	2 1/2" EXTENDED FRONT W/ & W/O NOSE LIGHT 22 3/8" [56.9 cm]	5" EXTENDED FRONT W/ & W/O NOSE LIGHT 25" [63.5 cm]	7 1/2" EXTENDED FRONT 27 3/8" [69.6 cm]		
	FLAT FRONT	STANDARD FRONT 18 11/16" [47.5 cm]	2 1/2" EXTENDED FRONT W/ & W/O NOSE LIGHT 21 3/16" [53.9 cm]	5" EXTENDED FRONT W/ & W/O NOSE LIGHT 23 11/16" [60.2 cm]	7 1/2" EXTENDED FRONT 26 3/16" [66.6 cm]		
	CLASSIC 2 METAL	STANDARD FRONT 18 11/16" [47.5 cm]	2 1/2" EXTENDED FRONT W/ & W/O NOSE LIGHT 21 3/16" [53.9 cm]	5" EXTENDED FRONT W/ & W/O NOSE LIGHT 23 11/16" [60.2 cm]	7 1/2" EXTENDED FRONT 26 3/16" [66.6 cm]		
	CLASSIC 2 POLYMER	STANDARD FRONT 18 11/16" [47.5 cm]	2 1/2" EXTENDED FRONT W/ & W/O NOSE LIGHT 21 3/16" [53.9 cm]	5" EXTENDED FRONT W/ & W/O NOSE LIGHT 23 11/16" [60.2 cm]	7 1/2" EXTENDED FRONT 26 3/16" [66.6 cm]		
	ORIGIN 2	STANDARD FRONT 18 11/16" [47.5 cm]	2 1/2" EXTENDED FRONT W/ & W/O NOSE LIGHT 21 3/16" [53.9 cm]	5" EXTENDED FRONT W/ & W/O NOSE LIGHT 23 11/16" [60.2 cm]	7 1/2" EXTENDED FRONT 26 3/16" [66.6 cm]		
	THERMOPANE	6" THERMOPANE FRONT 29 7/8" [75.8 cm]	4" THERMOPANE FRONT 27 7/8" [70.8 cm]	4" THERMOPANE FRONT W/T NOSE LIGHT 27 7/8" [70.8 cm]	6" THERMOPANE FRONT 29 7/8" [75.9 cm]		

NOTES:

- Front sill height and overall case height varies with base frame height.



COMPONENT

ALL MEASUREMENTS ARE TAKEN PER ASHRAE-72-2005 SPECIFICATIONS. HILLPHOENIX REFRIGERATED DISPLAY CASES FOR SALE IN THE UNITED STATES MEET OR EXCEED DEPARTMENT OF ENERGY 2017 REQUIREMENTS.

O5DR-NRG

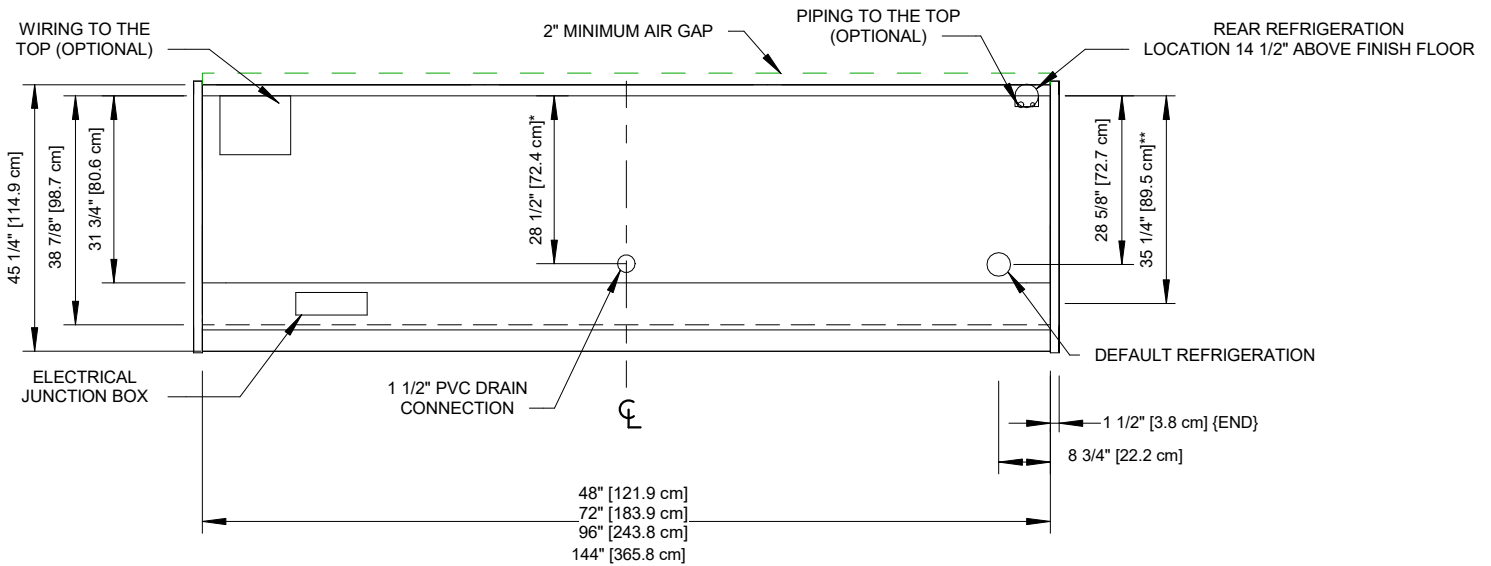
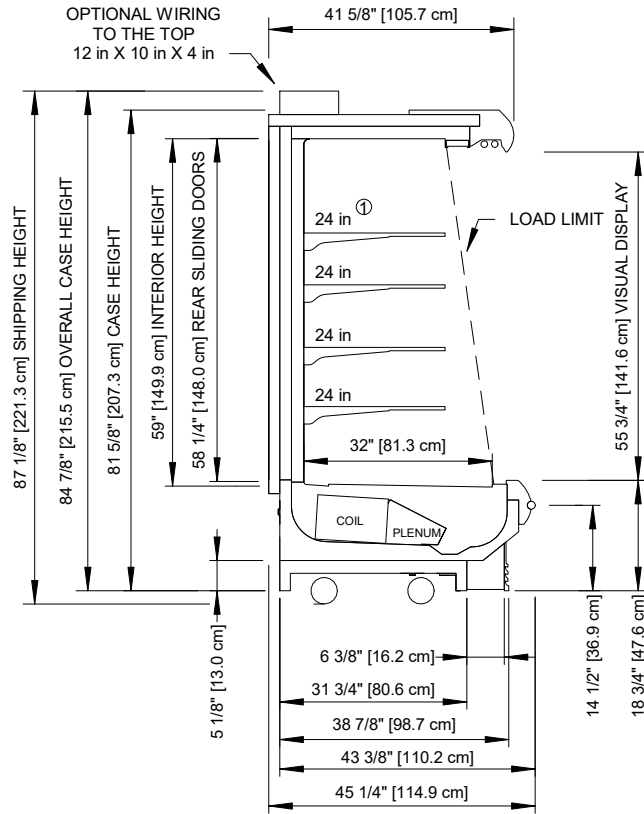
Rev Date:	Rev #	Revision Description:
9-27-18	3	DATA UPDATE
7-3-18	2	NEW STANDARDS

Hillphoenix

A DOVER COMPANY

O5DR-NRG

Rear Load Multi-Deck Merchandiser with Synerg-E™
8' & 12' (Beverage / Dairy) - For use against cooler only



NOTES:

- * : STUB-UP AREA
- ** : RECOMMENDED STUB-UP CENTERLINE FOR ELECTRICAL AND DRAINS
- ① : AVAILABLE SHELF SIZES: 10", 12", 14", 16", 18", 20", 22" & 24"

- Front sill height and overall case height varies with base frame height
- Ends add approximately 1" to case height. 1/2" to the back & 1" to the front
- Cooler opening should be 82" x case length



O5DR-NRG

ALL MEASUREMENTS ARE TAKEN PER ASHRAE-72-2005 SPECIFICATIONS. HILLPHOENIX REFRIGERATED DISPLAY CASES FOR SALE IN THE UNITED STATES MEET OR EXCEED DEPARTMENT OF ENERGY 2017 REQUIREMENTS.

Rev Date:	Rev #	Revision Description:
9-27-18	3	DATA UPDATE
7-3-18	2	NEW STANDARDS

Hillphoenix
A DOVER COMPANY