

REFERENCE NOTES FOR ENGINEERING DATA:

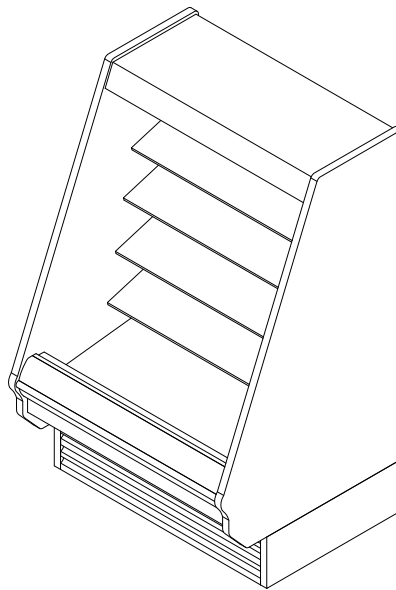
- Extended front sills are required to meat applications to maintain proper product temperature. An extended front has a minimum height of 24" on a 5" baseframe, or 30" on an 11" baseframe.
- BTUH/ft notes:
 - Listed BTUH/ft data represent unlighted shelves. For LED lighting, add 9 BTUH/ft per row of lighted shelving
- Listed evaporator temperature represents unlighted shelves. For lighted shelves and/or aftermarket merchandising accessories, reduce the listed evaporator temperature by 2°F.
- Conventional Discharge Air Control - Recommended Settings: Cut-in Temp + Discharge Air + 2°F; Cut-Out Temp = Discharge Air - 2°F.
- Listed discharge air velocity represents the average velocity at the peak of defrost.
- Temperature and defrost settings listed above are recommended start-up settings. Final operational settings may need to be adjusted for the store conditions in which the case operates.
- The recommended evaporator temperatures may need to be adjusted based on system setup, store conditions, etc. The minimum recommended evaporator temperature is 4°F below the listed evaporator temperature.
- LED lights only.
- Maximum of 2 rows of Standard Output LED lighted shelves.
- 3rd row or nose lights are not available.
- 2 rows of high output rear sill lights are not available with the solid 4" front - only 2 rows of standard or 1 row of high output cornice lights are available with this front.

REFERENCE NOTES FOR CROSS SECTIONS:

*STUB-UP AREA

**RECOMMENDED STUB-UP CENTERLINE FOR ELECTRICAL AND HUB DRAINS AVAILABLE UPON REQUEST

- Front and rear sill heights vary with base frame height
- Ends add approximately 1 inch to case height
- A 2" minimum air gap is required between the rear of the case and a wall
- Suction Line (4' & 6') 5/8"M, Suction Line (4' & 6') 7/8", Liquid Line (ALL HEIGHTS) 3/8"
- Available shelf sizes: 10", 12", 14", 16" & 18"
- Product on top shelf should be 3 inches below discharge
- Recommended shelf configuration in rows: 1-12"
- Dashed lines signify area inside base rail behind kickplate



COMPONENT

O6UM-NRG

ALL MEASUREMENTS ARE TAKEN PER ASHRAE-72-2005 SPECIFICATIONS. HILLPHOENIX REFRIGERATED DISPLAY CASES FOR SALE IN THE UNITED STATES MEET OR EXCEED DEPARTMENT OF ENERGY 2017 EFFICIENCY REQUIREMENTS.

Rev Date:	Rev #	Revision Description:
4-25-2017	1	DOE 2017

Hillphoenix
A DOVER COMPANY

O6UM-NRG

Multi-Deck Merchandiser with Synerg-E tm
4' , 6' , 8' , 12' Case (Dairy/Deli/Meat/Produce)

ELECTRICAL DATA			
Case Length	Fans Per Case	High Efficiency Fans	
		120 Volts	
		Amps	Watts
4'	1	0.20	14.0
6'	2	0.40	28.0
8'	2	0.40	28.0
12'	3	0.60	42.0

LIGHTING DATA						
Case Length	Lights Per Row	Light Length	Clearvoyant v4 LED Lighting (Per Light Row)			
			Standard Power		High Power	
			Cornice or Shelf		Cornice Only	
			120 Volts		120 Volts	
			Amps	Watts	Amps	Watts
4'	1	4'	0.05	5.9	0.12	14.9
6	2	3'	0.08	9.4	0.20	23.8
8	2	4'	0.10	11.8	0.25	29.9
12	3	4'	0.15	17.6	0.37	44.8

GUIDELINES and CONTROL SETTINGS							
Application	Front Sill Height	BTUH/ft		Superheat Set Point @ Bulb (°F)	Evaporator (°F)	Discharge Air (°F)	Discharge Air Velocity (FPM)
		Conventional	Parallel				
Dairy/Deli/Produce	All	1223	1070	6-8	28	31	180
Meat	Extended	1216	1064	6-8	26	30	180

DEFROST CONTROLS		
Defrost Per Day	Timed-Off Defrost	
	Fail-Safe (min)	Termination Temp. (°F)
6	30	42



COMPONENT

ALL MEASUREMENTS ARE TAKEN PER ASHRAE-72-2005 SPECIFICATIONS. HILLPHOENIX REFRIGERATED DISPLAY CASES FOR SALE IN THE UNITED STATES MEET OR EXCEED DEPARTMENT OF ENERGY 2017 EFFICIENCY REQUIREMENTS.

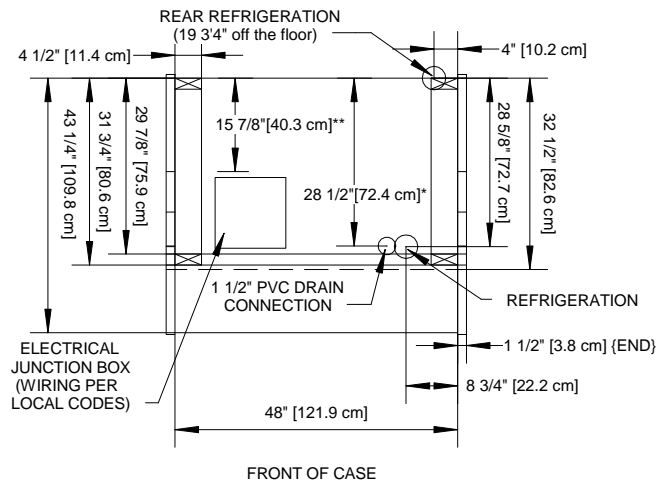
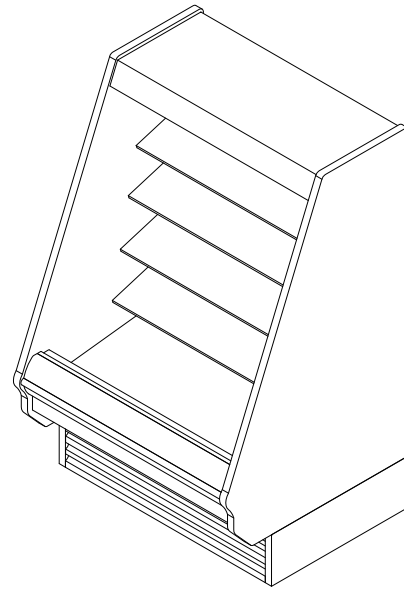
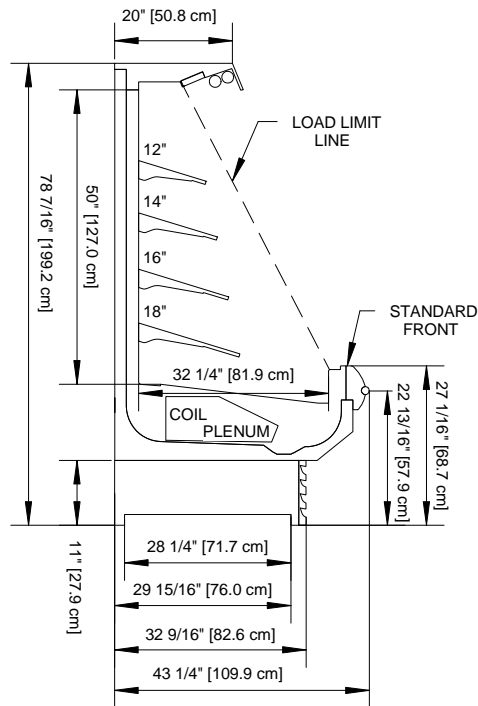
O6UM-NRG

Rev Date:	Rev #	Revision Description:
4-25-2017	1	DOE 2017

Hillphoenix
A DOVER COMPANY

O6UM-NRG

Multi-Deck Merchandiser with Synerg-E™
4' , 6' , 8' , 12' Case (Dairy/Deli/Meat/Produce)



COMPONENT

ALL MEASUREMENTS ARE TAKEN PER ASHRAE-72-2005 SPECIFICATIONS. HILLPHOENIX REFRIGERATED DISPLAY CASES FOR SALE IN THE UNITED STATES MEET OR EXCEED DEPARTMENT OF ENERGY 2017 EFFICIENCY REQUIREMENTS.

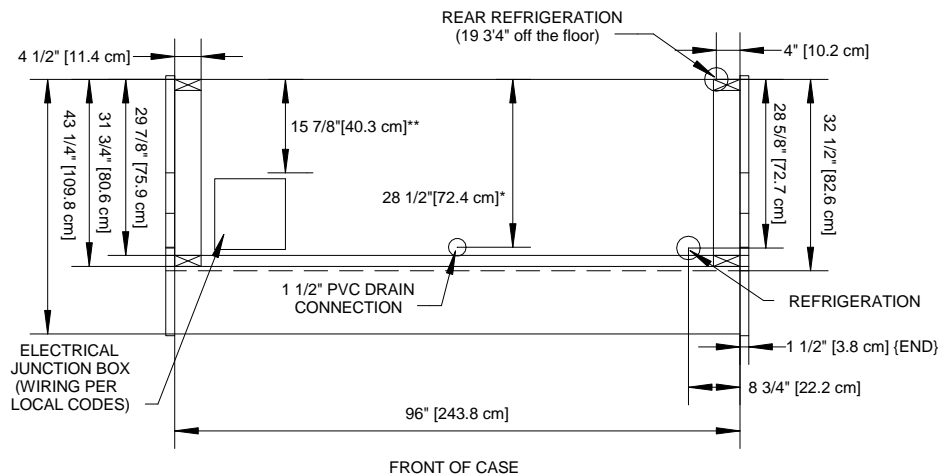
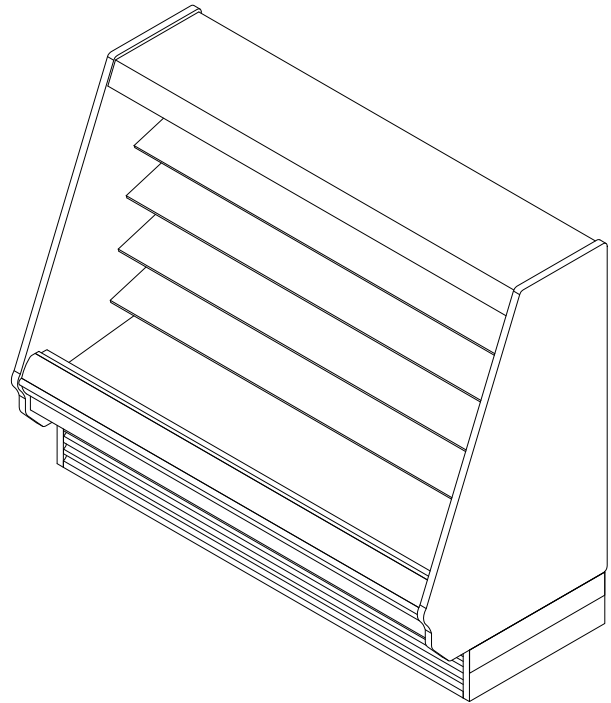
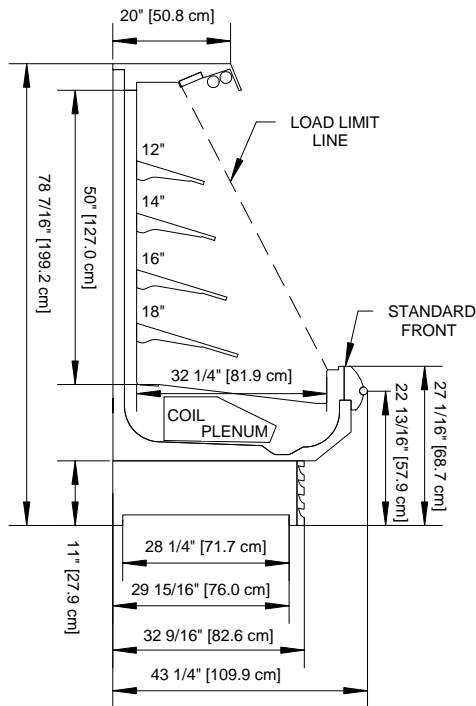
O6UM-NRG-04

Rev Date:	Rev #	Revision Description:
4-25-2017	1	DOE 2017

Hillphoenix
A DOWER COMPANY

O6UM-NRG

Multi-Deck Merchandiser with Synerg-E™
4' , 6' , 8' , 12' Case (Dairy/Deli/Meat/Produce)



COMPONENT

ALL MEASUREMENTS ARE TAKEN PER ASHRAE-72-2005 SPECIFICATIONS. HILLPHOENIX REFRIGERATED DISPLAY CASES FOR SALE IN THE UNITED STATES MEET OR EXCEED DEPARTMENT OF ENERGY 2017 EFFICIENCY REQUIREMENTS.

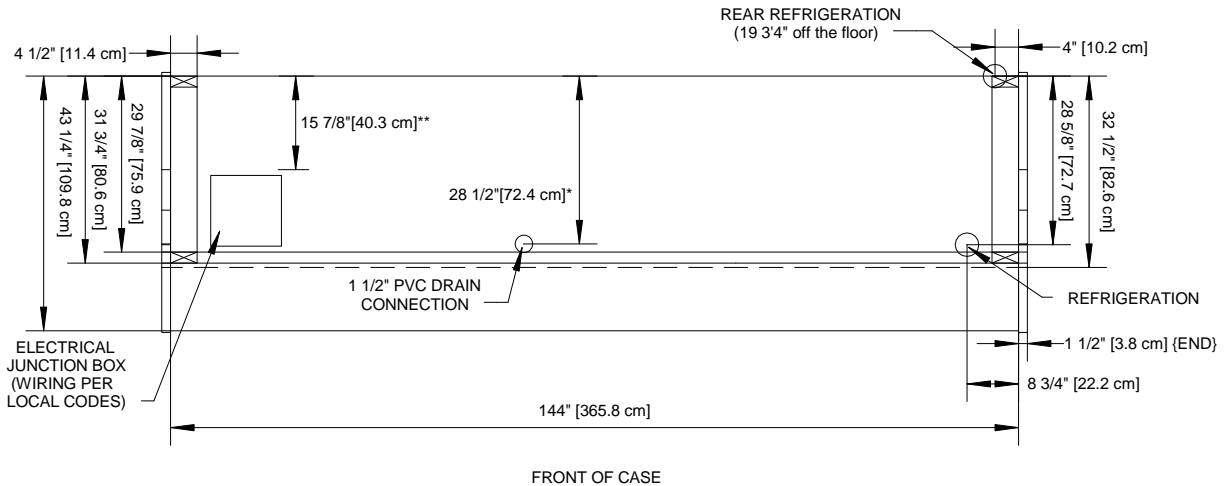
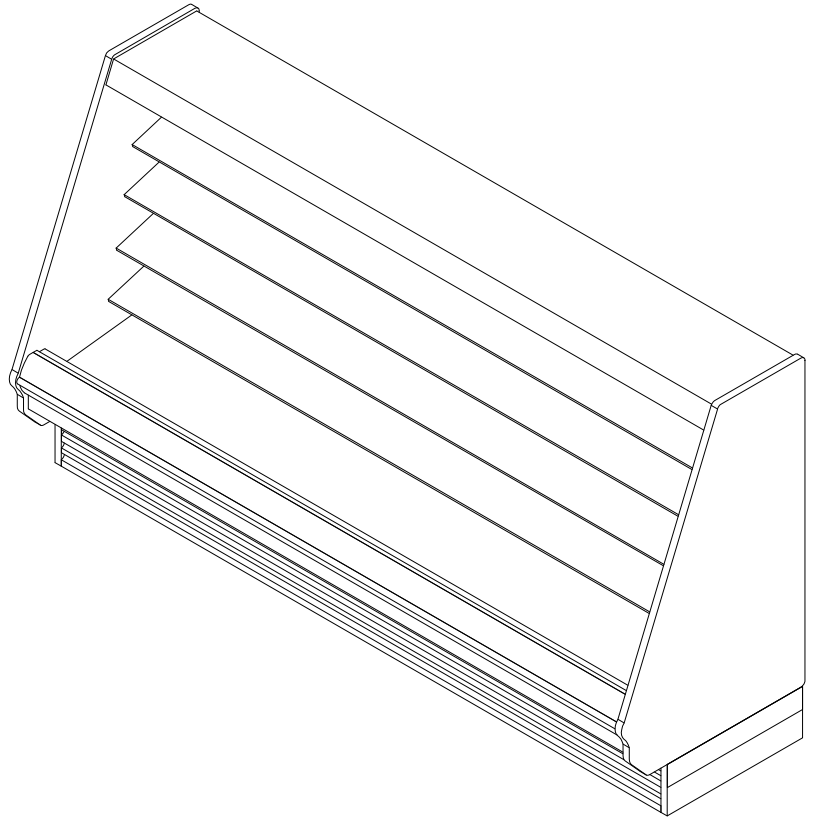
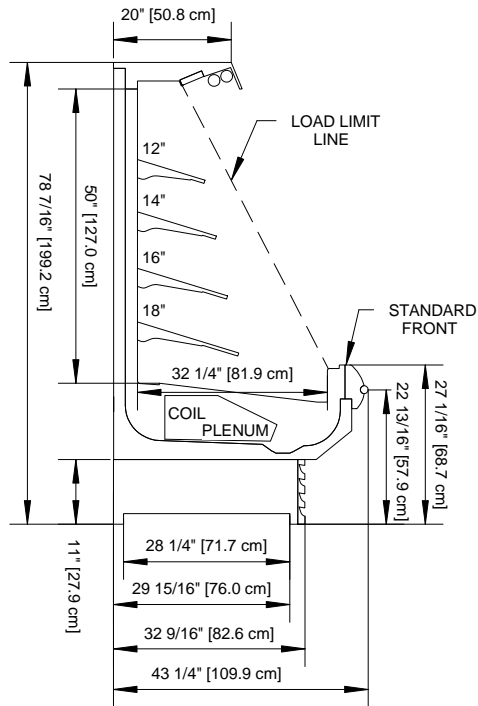
O6UM-NRG-08

Rev Date:	Rev #	Revision Description:
4-25-2017	1	DOE 2017

Hillphoenix
A DOWER COMPANY

O6UM-NRG

Multi-Deck Merchandiser with Synerg-E™
4' , 6' , 8' , 12' Case (Dairy/Deli/Meat/Produce)



COMPONENT

ALL MEASUREMENTS ARE TAKEN PER ASHRAE-72-2005 SPECIFICATIONS. HILLPHOENIX REFRIGERATED DISPLAY CASES FOR SALE IN THE UNITED STATES MEET OR EXCEED DEPARTMENT OF ENERGY 2017 EFFICIENCY REQUIREMENTS.

O6UM-NRG-12

Rev Date:	Rev #	Revision Description:
4-25-2017	1	DOE 2017

Hillphoenix
A DOWER COMPANY