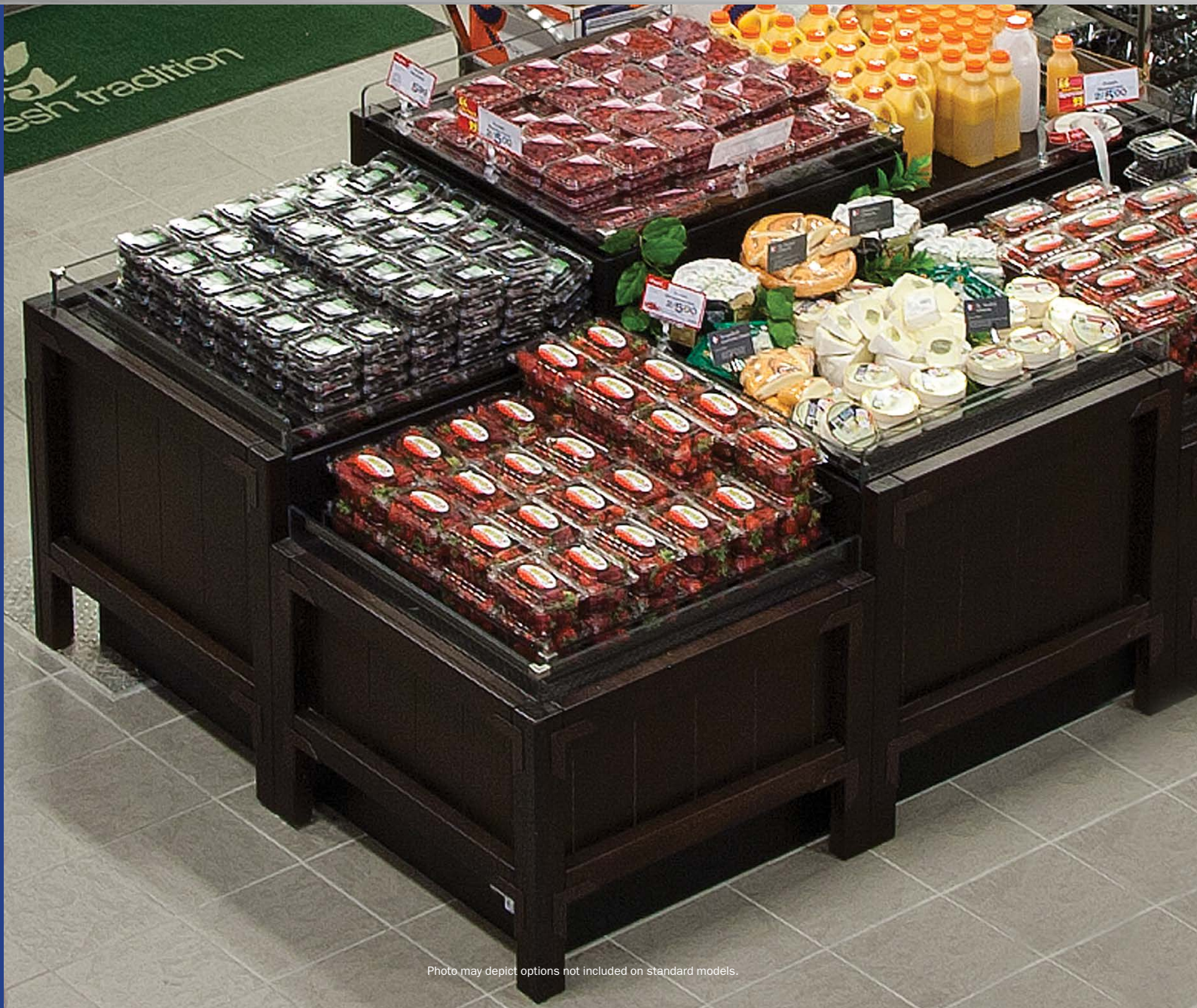
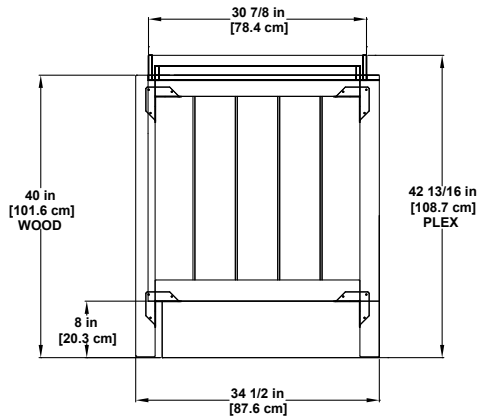


Self-Service Multi-Level Bins

Refrigerated produce merchandiser.





Please consult Hillphoenix Engineering Reference Manual for dimensions, plan views and technical specifications. Specifications subject to change without notice. Designed for optional performance in store environments where temperature and humidity do not exceed 75 degrees and 55% R.H. Certified to UL 471 and ANSI/NSF Standard 7.

Base Model Features

- Sled runner base construction.
- Standard bin heights 25", 32.5" and 40"H with 8"H toekick height.
- Painted metal exterior.
- Painted exterior trim.
- Painted metal base trim.
- Black powder-coat metal interior.
 - Interior trim to match interior.
- Flat bottom merchandising deck.
- Ballast tray electrical.
- Solar digital thermometer.
- Dieboard plex.
- Plex product stops.
- Energy efficient fans.
- Self-contained refrigeration package.

Available Options

- Casters for base construction recess or non-recess.
- Case configurations:
 - OB-1, 2, 4 and 6 tier.
- Corner brackets painted metal.
- DX, glycol or CO₂ refrigeration package.
- Hardwood clad finish.
- Contact factory for additional self-contained options.



Dover Food Retail
 Conyers, GA USA
 844.591.5937
 hillphoenix.com

©2018 Hillphoenix, Inc.



an HILLER company