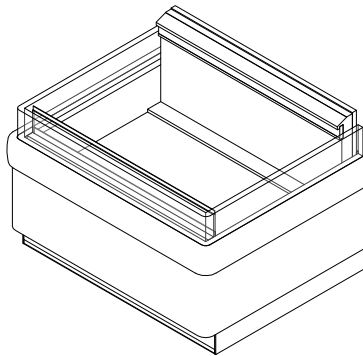


GENERAL NOTES

- "-" indicates that the feature is not an option on this case model



SHIPPING WEIGHT	
Case	Weight
OEWZQA	---



COMPONENT
ALL MEASUREMENTS ARE TAKEN PER ASHRAE-72-2005 SPECIFICATIONS. HILLPHOENIX REFRIGERATED DISPLAY CASES FOR SALE IN THE UNITED STATES MEET OR EXCEED DEPARTMENT OF ENERGY 2017 REQUIREMENTS.

OEWZ

Rev Date:	Rev #	Revision Description:
7-30-18	2	Layout Update
4-11-17	1	DOE 2017

ELECTRICAL DATA								
Fans Per Case	High Efficiency Fans		Anti Condensate Heaters		Defrost Heaters			
	120 Volts		120 Volts		208 Volts		240 Volts	
	Amps	Watts	Amps	Watts	Amps	Watts	Amps	Watts
1	0.15	11.0	0.68	82.0	3.84	800	4.44	1065

GUIDELINES AND CONTROL SETTINGS					
BTUH/ft		Super Heat Set Point @ bulb (°F)	Evaporator (°F)	Discharge Air (°F)	Discharge Air Velocity (FPM)
Conventional	Parallel				
359	325	3 - 5	-22	-10	255

DEFROST CONTROLS					
Defrost Per Day	Run-Off Time (Min)	Electrical Defrost		Hot Gas Defrost	
		Fail-Safe (Min)	Termination Temp (°F)	Fail-Safe (Min)	Termination Temp (°F)
3	5	50	45	20	60

NOTES

- Listed discharge air velocity represents the average velocity at the peak of defrost.
- Temperature and defrost settings listed above are recommended start-up settings. Final operational settings may need to be adjusted for the store conditions in which the case operates.
- The recommended evaporator temperatures may need to be adjusted based on system setup, store conditions, etc. The minimum recommended evaporator temperature is 4°F below the listed evaporator temperature.



ALL MEASUREMENTS ARE TAKEN PER ASHRAE-72-2005 SPECIFICATIONS. HILLPHOENIX REFRIGERATED DISPLAY CASES FOR SALE IN THE UNITED STATES MEET OR EXCEED DEPARTMENT OF ENERGY 2017 REQUIREMENTS.

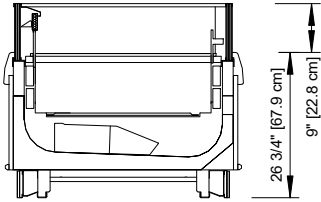
OEWZ

Rev Date:	Rev #	Revision Description:
7-30-18	2	Layout Update
4-11-17	1	DOE 2017

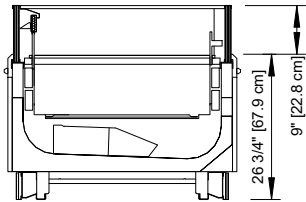
Hillphoenix
A DOWER COMPANY

GLASS FRONT OPTIONS

10" GLASS STREAMLINE FRONT



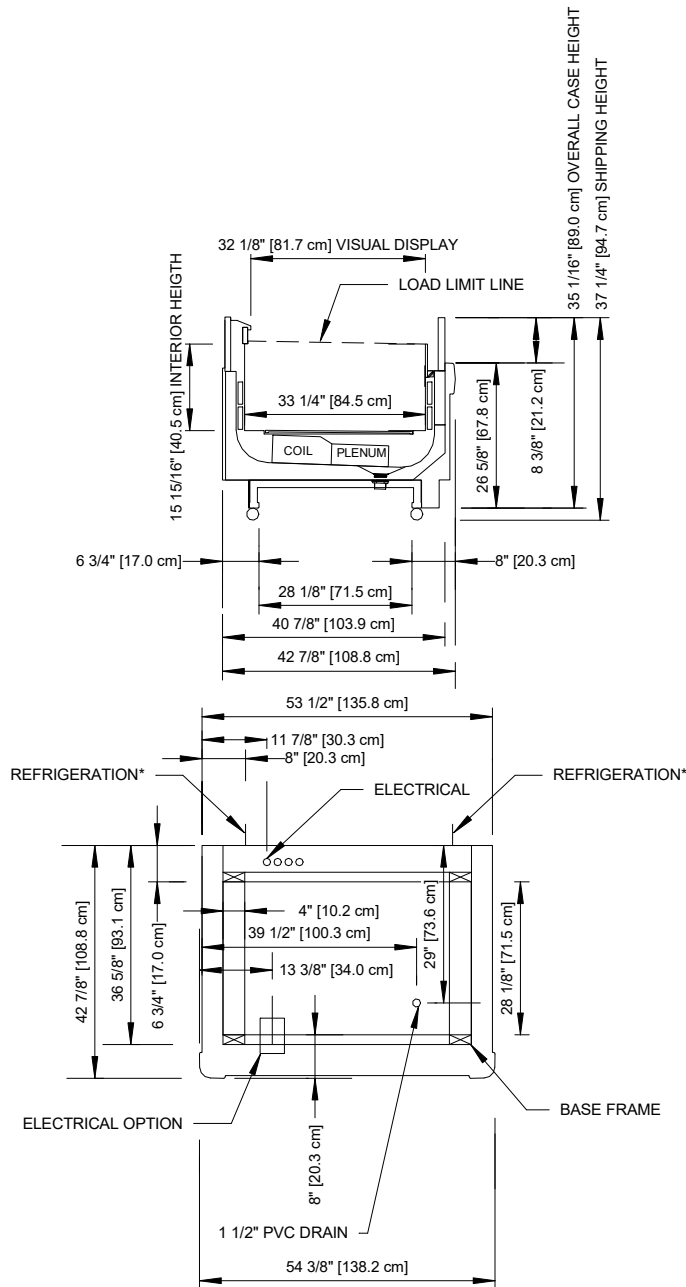
10" GLASS FLAT FRONT



ALL MEASUREMENTS ARE TAKEN PER ASHRAE-72-2005 SPECIFICATIONS. HILLPHOENIX REFRIGERATED DISPLAY CASES FOR SALE IN THE UNITED STATES MEET OR EXCEED DEPARTMENT OF ENERGY 2017 REQUIREMENTS.

OEZ

Rev Date:	Rev #	Revision Description:
7-30-18	2	Layout Update
9-27-17	1	DOE 2017



NOTES

* : Location dependant on which end of the OWZGG the case is attached



ALL MEASUREMENTS ARE TAKEN PER ASHRAE-72-2005 SPECIFICATIONS. HILLPHOENIX REFRIGERATED DISPLAY CASES FOR SALE IN THE UNITED STATES MEET OR EXCEED DEPARTMENT OF ENERGY 2017 REQUIREMENTS.

OEZW

Rev Date:	Rev #	Revision Description:
7-30-18	2	Layout Update
4-11-17	1	DOE 2017

