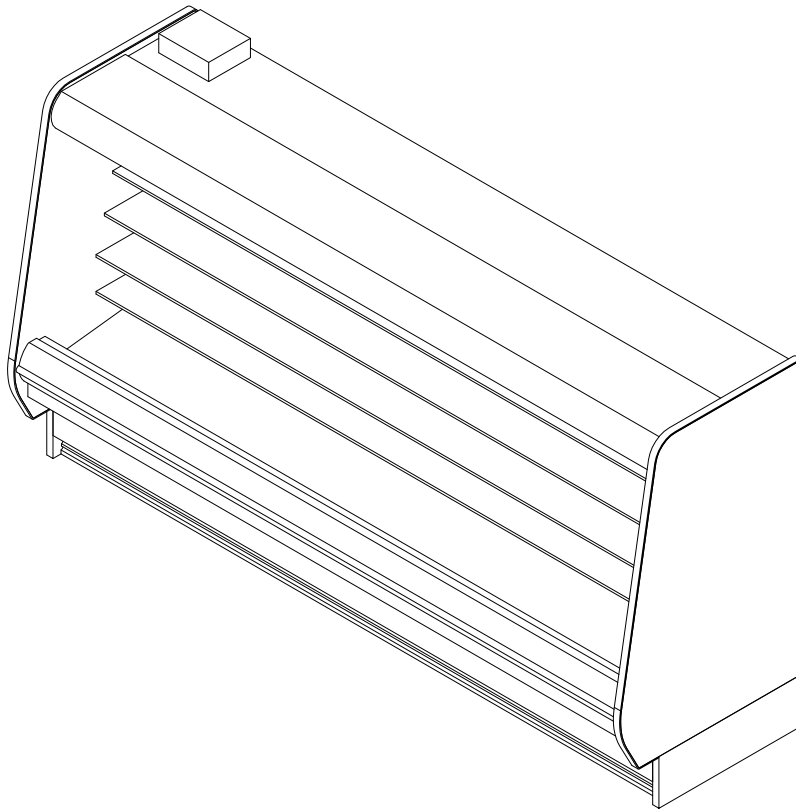


GENERAL NOTES

- " - - - " indicates that the feature is not an option with this case model and/or that the data is not available at this time.
- LED lights only.
- Maximum of 5 rows of Standard LED Output lighted shelves.



SHIPPING WEIGHT	
Case	Weight
OHM-NRG	---



COMPONENT

ALL MEASUREMENTS ARE TAKEN PER ASHRAE-72-2005 SPECIFICATIONS. HILLPHOENIX REFRIGERATED DISPLAY CASES FOR SALE IN THE UNITED STATES MEET OR EXCEED DEPARTMENT OF ENERGY 2017 REQUIREMENTS.

OHM-NRG

Rev Date:	Rev #	Revision Description:
9-19-18	3	DATA UPDATE
6-6-18	2	NEW STANDARDS

ELECTRICAL DATA			
Case Length	Fans Per Case	High Efficiency Fans	
		120 Volt	
		Amps	Watts
4'	2	0.50	36.0
6'	3	0.75	54.0
8'	3	0.75	54.0
12'	4	1.00	72.0

LIGHTING DATA					
Case Length	Lights per row	Clearvoyant v4 LED Lighting (Per Light Row)			
		Standard Power (Cornice or Shelf)		High Power (Cornice Only)	
		120 Volts		120 Volts	
		Amps	Watts	Amps	Watts
4'	1	0.05	5.9	0.12	14.9
6'	2	0.08	9.4	0.20	23.8
8'	2	0.10	11.8	0.25	29.9
12'	3	0.15	17.6	0.37	44.8

GUIDELINES AND CONTROL SETTINGS						
Front Sill height	BTUH/ft		Superheat Set Point @ Bulb (°F)	Evaporator (°F)	Discharge Air (°F)	Discharge Air Velocity (FPM)
	Conventional	Parallel				
All Others	1250	1094	6 - 8	27	30	200
Standard	1371	1200	6 - 8	27	30	200

DEFROST CONTROLS		
Defrosts Per Day	Timed-Off Defrost	
	Fail-Safe (Min)	Termination Temp (F)
6	40	47

NOTES

- Listed BTUH/ft data represent unlighted shelves. For LED lighting, add 9 BTUH/ft per row of lighted shelving.
- Listed discharge air velocity represents the average velocity immediately after defrost.
- " - - - " indicates the feature is not an option with this case model and/or that the data is not available at this time.
- Temperature and defrost settings listed below are recommended start-up settings. Final operational settings may need to be adjusted for the store conditions in which the case operates.
- The recommended evaporator temperatures may need to be adjusted based on system setup, store conditions, etc. The minimum recommended evaporator temperature is 4°F below the listed evaporator temperature.



OHM-NRG

ALL MEASUREMENTS ARE TAKEN PER ASHRAE-72-2005 SPECIFICATIONS. HILLPHOENIX REFRIGERATED DISPLAY CASES FOR SALE IN THE UNITED STATES MEET OR EXCEED DEPARTMENT OF ENERGY 2017 REQUIREMENTS.

Rev Date:	Rev #	Revision Description:
9-19-18	3	DATA UPDATE
6-6-18	2	NEW STANDARDS

SECOND NATURE DATA								
Case Model	No. of Coils	Application	Front Sill Type	BTUH/ft (DR)		GPM/ft (DR)	Supply Fluid Temp (F)	Discharge Air Temp (F)
				Conventional	Parallel			
OHM-NRG	1	Meat	All Others	1250	1094	0.32	20	30
OHM-NRG	1	Meat	Standard	1371	1200	0.35	20	30
OHM-NRG	1	Meat	All Others	1250	1094	0.75	20	30
OHM-NRG	1	Meat	Standard	1371	1200	0.82	20	30

SECOND NATURE DATA								
Case Model	No. of Coils	Application	Front Sill Type	No. of Defrost	Timed Off Defrost		Warm Fluid Defrost	
					Fail Safe (Min)	Termination Temp (F)	Fail Safe (Min)	Termination Temp (F)
OHM-NRG	1	Meat	All Others	6	60	47	26	49
OHM-NRG	1	Meat	Standard	6	60	47	26	49
OHM-NRG	1	Meat	All Others	6	60	47	26	49
OHM-NRG	1	Meat	Standard	6	60	47	26	49



COMPONENT

ALL MEASUREMENTS ARE TAKEN PER ASHRAE-72-2005 SPECIFICATIONS. HILLPHOENIX REFRIGERATED DISPLAY CASES FOR SALE IN THE UNITED STATES MEET OR EXCEED DEPARTMENT OF ENERGY 2017 REQUIREMENTS.

OHM-NRG

Rev Date:	Rev #	Revision Description:
9-19-18	3	DATA UPDATE
6-6-18	2	NEW STANDARDS

FRONT OPTIONS		CORNICE OPTIONS					
		CURVED CORNICE 34 7/8" 	CURVED CORNICE WITH NIGHT COVER 40 1/4" 	FACETED CORNICE 34 3/4" 	FACETED CORNICE WITH NIGHT COVER 38" 	FLAT CORNICE 34" 	FLAT CORNICE WITH STANDARD NIGHT COVER 36 5/8"
FRONT OPTIONS	FLAT FRONT 2	STANDARD FRONT 11" BASEFRAME: 28 3/16" [71.5 cm] 5" BASEFRAME: 22 5/16" [56.7 cm]		EXTENDED STANDARD FRONT 11" BASEFRAME: 33 1/16" [84.0 cm] 5" BASEFRAME: 27" [68.6 cm]		6" THERMOPANE FRONT 11" BASEFRAME: 33 7/16" [84.9 cm] 5" BASEFRAME: 27 3/8" [69.5 cm]	
	FLAT FRONT	STANDARD FRONT 11" BASEFRAME: 27 1/16" [68.7 cm] 5" BASEFRAME: 21 3/16" [53.8 cm]		EXTENDED STANDARD FRONT 11" BASEFRAME: 30" [76.2 cm] 5" BASEFRAME: 24 1/8" [61.3 cm]		6" THERMOPANE FRONT 11" BASEFRAME: 33 1/8" [84.1 cm] 5" BASEFRAME: 27 1/4" [69.1 cm]	
	CLASSIC 2 METAL	STANDARD FRONT 11" BASEFRAME: 27 1/16" [68.7 cm] 5" BASEFRAME: 21 3/16" [53.7 cm]		EXTENDED STANDARD FRONT 11" BASEFRAME: 30" [76.2 cm] 5" BASEFRAME: 24 1/8" [61.3 cm]		6" THERMOPANE FRONT 11" BASEFRAME: 33 1/8" [84.2 cm] 5" BASEFRAME: 27 1/4" [69.3 cm]	
	CLASSIC 2 POLYMER	STANDARD FRONT 11" BASEFRAME: 27 1/16" [68.7 cm] 5" BASEFRAME: 21 3/16" [53.7 cm]		EXTENDED STANDARD FRONT 11" BASEFRAME: 30" [76.2 cm] 5" BASEFRAME: 24 1/8" [61.3 cm]		6" THERMOPANE FRONT 11" BASEFRAME: 33 1/8" [84.2 cm] 5" BASEFRAME: 27 1/4" [69.3 cm]	
	ORIGIN 2	STANDARD FRONT 11" BASEFRAME: 27 1/16" [68.7 cm] 5" BASEFRAME: 21 3/16" [53.8 cm]		EXTENDED STANDARD FRONT 11" BASEFRAME: 30" [76.2 cm] 5" BASEFRAME: 24 1/8" [61.3 cm]		6" THERMOPANE FRONT 11" BASEFRAME: 33 1/8" [84.2 cm] 5" BASEFRAME: 27 1/4" [69.3 cm]	

NOTES

- Front sill and rear sill heights vary with baseframe heights.



COMPONENT

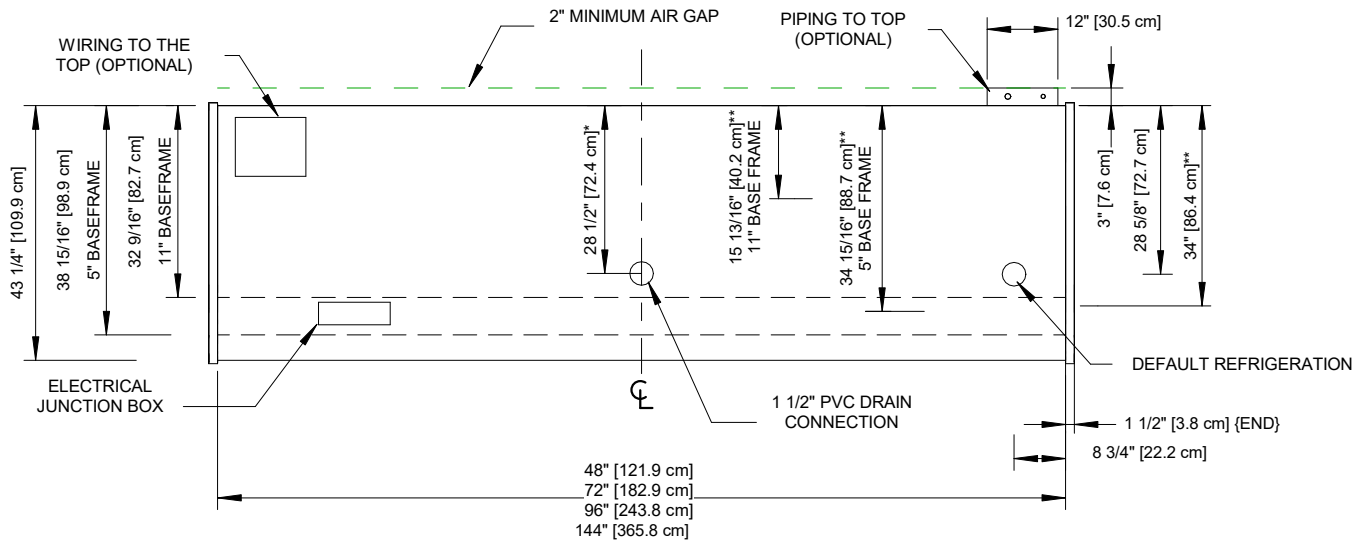
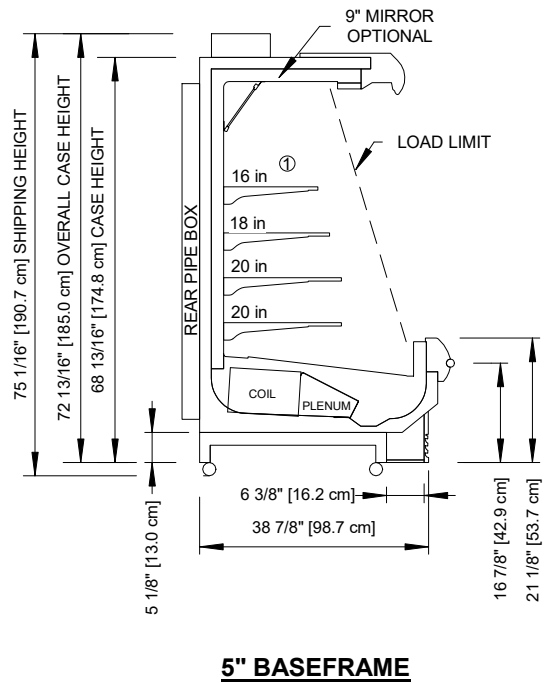
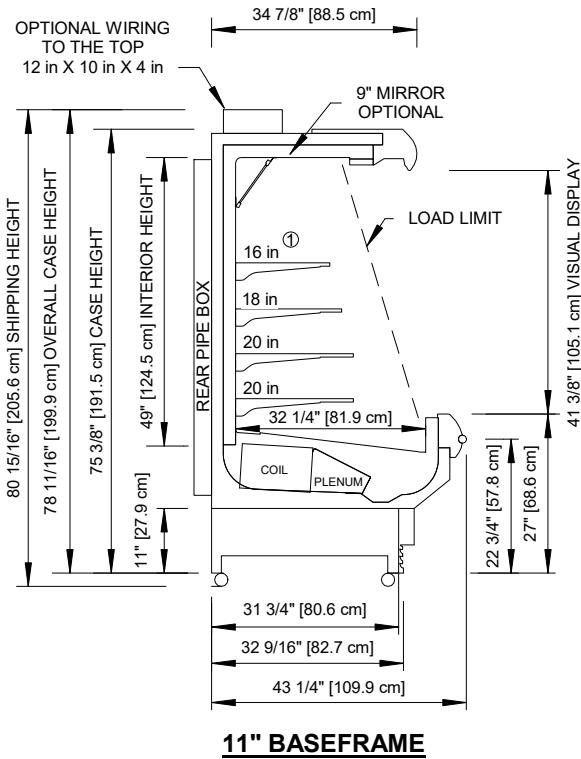
ALL MEASUREMENTS ARE TAKEN PER ASHRAE-72-2005 SPECIFICATIONS. HILLPHOENIX REFRIGERATED DISPLAY CASES FOR SALE IN THE UNITED STATES MEET OR EXCEED DEPARTMENT OF ENERGY 2017 REQUIREMENTS.

OHM-NRG

Rev Date:	Rev #	Revision Description:
9-19-18	3	DATA UPDATE
6-6-18	2	NEW STANDARDS

Hillphoenix

A DOVER COMPANY



NOTES

- * : STUB-UP AREA
- ** : RECOMMENDED STUB-UP CENTERLINE FOR ELECTRICAL AND HUB DRAINS
- Ⓛ : AVAILABLE SHELF SIZES: 10", 12", 14", 16", 18", 20", 22" & 24"

- Ends add approximately 1" to case height, 1/2" to the back & 1" to the front.
- Back panels add approximately 1" to the rear of the case.



OHM-NRG

ALL MEASUREMENTS ARE TAKEN PER ASHRAE-72-2005 SPECIFICATIONS. HILLPHOENIX REFRIGERATED DISPLAY CASES FOR SALE IN THE UNITED STATES MEET OR EXCEED DEPARTMENT OF ENERGY 2017 REQUIREMENTS.

Rev Date:	Rev #	Revision Description:
9-19-18	3	DATA UPDATE
6-6-18	2	NEW STANDARDS

