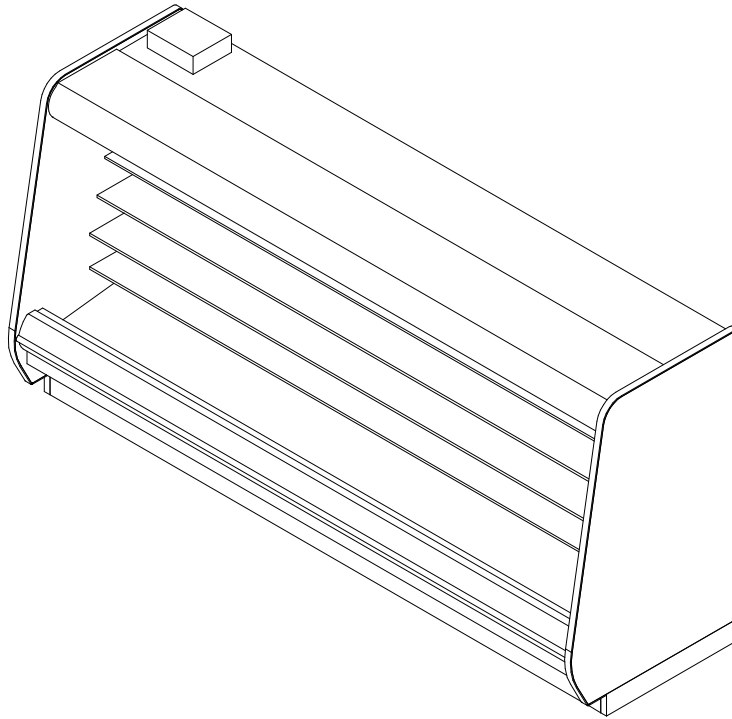


GENERAL NOTES

- " - - - " indicates that the feature is not an option with this case model and/or that the data is not available at this time.
- LED lights only.
- Maximum of 5 rows of Standard LED Output lighted shelves.



| SHIPPING WEIGHT | |
|-----------------|--------|
| Case | Weight |
| OHM-NRG | --- |



ALL MEASUREMENTS ARE TAKEN PER ASHRAE-72-2005 SPECIFICATIONS. HILLPHOENIX REFRIGERATED DISPLAY CASES FOR SALE IN THE UNITED STATES MEET OR EXCEED DEPARTMENT OF ENERGY 2017 REQUIREMENTS.

OHM-NRG

| Rev. Date | Rev. # | Rev. Title |
|-----------|--------|----------------|
| 5-23-19 | 5 | ENDVIEW UPDATE |
| 2-13-19 | 4 | ENDVIEW UPDATE |

| ELECTRICAL DATA | | | |
|-----------------|---------------|----------------------|-------|
| Case Length | Fans Per Case | High Efficiency Fans | |
| | | 120 Volt | |
| | | Amps | Watts |
| 4' | 2 | 0.50 | 36.0 |
| 6' | 3 | 0.75 | 54.0 |
| 8' | 3 | 0.75 | 54.0 |
| 12' | 4 | 1.00 | 72.0 |

| LIGHTING DATA | | | | | |
|---------------|----------------|---|-------|---------------------------|-------|
| Case Length | Lights per row | Clearvoyant v4 LED Lighting (Per Light Row) | | | |
| | | Standard Power (Cornice or Shelf) | | High Power (Cornice Only) | |
| | | 120 Volts | | 120 Volts | |
| | | Amps | Watts | Amps | Watts |
| 4' | 1 | 0.05 | 5.9 | 0.12 | 14.9 |
| 6' | 2 | 0.08 | 9.4 | 0.20 | 23.8 |
| 8' | 2 | 0.10 | 11.8 | 0.25 | 29.9 |
| 12' | 3 | 0.15 | 17.6 | 0.37 | 44.8 |

| GUIDELINES AND CONTROL SETTINGS | | | | | | |
|---------------------------------|--------------|----------|---------------------------------|-----------------|--------------------|------------------------------|
| Front Sill height | BTUH/ft | | Superheat Set Point @ Bulb (°F) | Evaporator (°F) | Discharge Air (°F) | Discharge Air Velocity (FPM) |
| | Conventional | Parallel | | | | |
| All Others | 1250 | 1094 | 6 - 8 | 27 | 30 | 200 |
| Standard | 1371 | 1200 | 6 - 8 | 27 | 30 | 200 |

| DEFROST CONTROLS | | |
|------------------|-------------------|----------------------|
| Defrosts Per Day | Timed-Off Defrost | |
| | Fail-Safe (Min) | Termination Temp (F) |
| 6 | 40 | 47 |

NOTES

- Listed BTUH/ft data represent unlighted shelves. For LED lighting, add 9 BTUH/ft per row of lighted shelving.
- Listed discharge air velocity represents the average velocity immediately after defrost.
- " - - - " indicates the feature is not an option with this case model and/or that the data is not available at this time.
- Temperature and defrost settings listed below are recommended start-up settings. Final operational settings may need to be adjusted for the store conditions in which the case operates.
- The recommended evaporator temperatures may need to be adjusted based on system setup, store conditions, etc. The minimum recommended evaporator temperature is 4°F below the listed evaporator temperature.



ALL MEASUREMENTS ARE TAKEN PER ASHRAE-72-2005 SPECIFICATIONS. HILLPHOENIX REFRIGERATED DISPLAY CASES FOR SALE IN THE UNITED STATES MEET OR EXCEED DEPARTMENT OF ENERGY 2017 REQUIREMENTS.

OHM-NRG

| Rev. Date | Rev. # | Rev. Title |
|-----------|--------|----------------|
| 5-23-19 | 5 | ENDVIEW UPDATE |
| 2-13-19 | 4 | ENDVIEW UPDATE |



| SECOND NATURE DATA | | | | | | | | |
|--------------------|--------------|-------------|-------------------|--------------|----------|-------------|------------------------|-------------------------|
| Case Model | No. of Coils | Application | Front Sill height | BTUH/FT | | GPM/ft (DR) | Supply Fluid Temp (°F) | Discharge Air Temp (°F) |
| | | | | Conventional | Parallel | | | |
| OHM-NRG | 1 | Meat | All Others | 1250 | 1094 | 0.32 | 20 | 30 |
| OHM-NRG | 1 | Meat | Standard | 1371 | 1200 | 0.35 | 20 | 30 |
| OHM-NRG | 1 | Meat | All Others | 1250 | 1094 | 0.75 | 25 | 30 |
| OHM-NRG | 1 | Meat | Standard | 1371 | 1200 | 0.82 | 25 | 30 |

| SECOND NATURE DATA | | | | | | | | | |
|--------------------|--------------|-------------|-------------------|------------------------|----------------|-------------------|-----------------------|--------------------|-----------------------|
| Case Model | No. of Coils | Application | Front Sill height | Supply Fluid Temp (°F) | No. of Defrost | Timed-Off Defrost | | Warm Fluid Defrost | |
| | | | | | | Fail-Safe (Min) | Termination Temp (°F) | Fail-Safe (Min) | Termination Temp (°F) |
| OHM-NRG | 1 | Meat | All Others | 20 | 6 | 60 | 47 | 26 | 49 |
| OHM-NRG | 1 | Meat | Standard | 20 | 6 | 60 | 47 | 26 | 49 |
| OHM-NRG | 1 | Meat | All Others | 25 | 6 | 45 | 47 | 26 | 49 |
| OHM-NRG | 1 | Meat | Standard | 25 | 6 | 45 | 47 | 26 | 49 |

NOTES

- All medium temperature data listed is for 35% by wt. PROPYLENE GLYCOL.
- Inhibited Propylene Glycol solution with water, such as Dowfrost or equivalent. (Dowfrost is a trademark of the Dow Chemical Company).
- Flowrates are determined by ASHRAE test conditions and may need to be adjusted based on store conditions.
- ** Flowrates are per case



ALL MEASUREMENTS ARE TAKEN PER ASHRAE-72-2005 SPECIFICATIONS. HILLPHOENIX REFRIGERATED DISPLAY CASES FOR SALE IN THE UNITED STATES MEET OR EXCEED DEPARTMENT OF ENERGY 2017 REQUIREMENTS.

OHM-NRG

| Rev. Date | Rev. # | Rev. Title |
|-----------|--------|----------------|
| 5-23-19 | 5 | ENDVIEW UPDATE |
| 2-13-19 | 4 | ENDVIEW UPDATE |



A DOVER COMPANY

| FRONT OPTIONS | | CORNICES OPTIONS | | | | | |
|---------------|-------------------|---------------------------|--|-----------------------------|---|-------------------------|---|
| | | CURVED CORNICE 34 7/8" | CURVED CORNICE WITH NIGHT COVER 40 1/4" | FACETED CORNICE 34 3/4" | FACETED CORNICE WITH NIGHT COVER 38" | FLAT CORNICE 34" | FLAT CORNICE WITH STANDARD NIGHT COVER 36 5/8" |
| FRONT OPTIONS | FLAT FRONT 2 | STANDARD FRONT | | EXTENDED STANDARD FRONT | | 6" THERMOPANE FRONT | |
| | FLAT FRONT | STANDARD FRONT | | EXTENDED STANDARD FRONT | | 6" THERMOPANE FRONT | |
| | CLASSIC 2 METAL | STANDARD FRONT | | EXTENDED STANDARD FRONT | | 6" THERMOPANE FRONT | |
| | CLASSIC 2 POLYMER | STANDARD FRONT | | EXTENDED STANDARD FRONT | | 6" THERMOPANE FRONT | |
| | ORIGIN 2 | STANDARD FRONT | | EXTENDED STANDARD FRONT | | 6" THERMOPANE FRONT | |

NOTES

- Front sill and rear sill heights vary with baseframe heights.
- Extended front sills are required on meat applications to maintain proper temperature. An extended front has a minimum height of 24" on a 5" baseframe or 30" on an 11" baseframe.



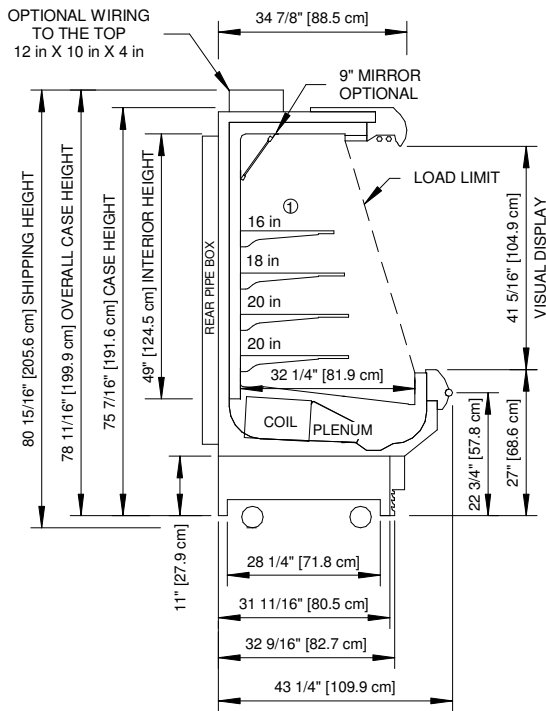
ALL MEASUREMENTS ARE TAKEN PER ASHRAE-72-2005 SPECIFICATIONS. HILLPHOENIX REFRIGERATED DISPLAY CASES FOR SALE IN THE UNITED STATES MEET OR EXCEED DEPARTMENT OF ENERGY 2017 REQUIREMENTS.

OHM-NRG

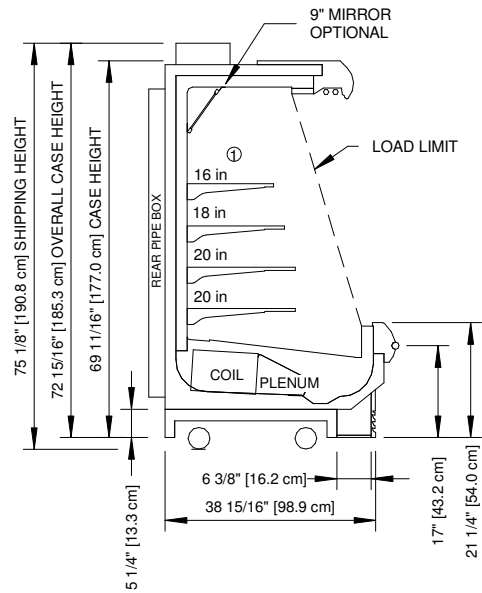
| Rev. Date | Rev. # | Rev. Title |
|-----------|--------|----------------|
| 5-23-19 | 5 | ENDVIEW UPDATE |
| 2-13-19 | 4 | ENDVIEW UPDATE |

Hillphoenix

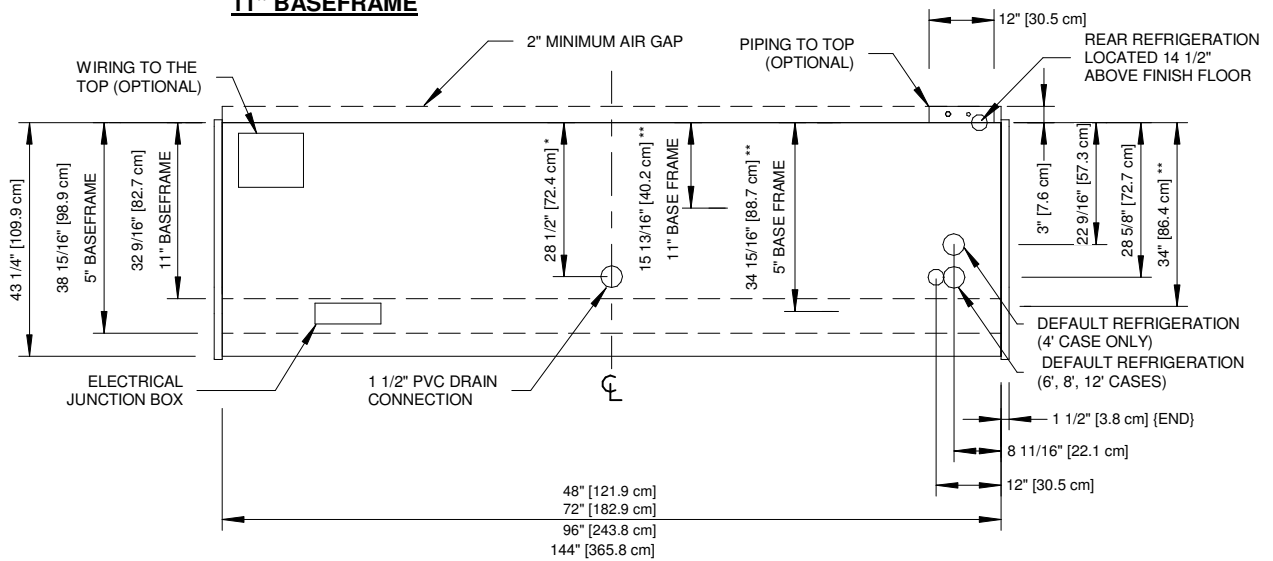
A DOVER COMPANY



11" BASEFRAME



5" BASEFRAME



NOTES

- * : STUB-UP AREA
- ** : RECOMMENDED STUP-UP CENTERLINE FOR ELECTRICAL AND HUB DRAINS
- ⊙ : AVAILABLE SHELF SIZES: 16", 18", & 20" ARTICULATING OR 14", 16", 18", 20", 22" & 24" STANDARD

- Ends add approximately 1" to case height, 1/2" to the back & 1" to the front.
- Back panels add approximately 1" to the rear of the case.



ALL MEASUREMENTS ARE TAKEN PER ASHRAE-72-2005 SPECIFICATIONS. HILLPHOENIX REFRIGERATED DISPLAY CASES FOR SALE IN THE UNITED STATES MEET OR EXCEED DEPARTMENT OF ENERGY 2017 REQUIREMENTS.

OHM-NRG

| Rev. Date | Rev. # | Rev. Title |
|-----------|--------|----------------|
| 5-23-19 | 5 | ENDVIEW UPDATE |
| 2-13-19 | 4 | ENDVIEW UPDATE |

