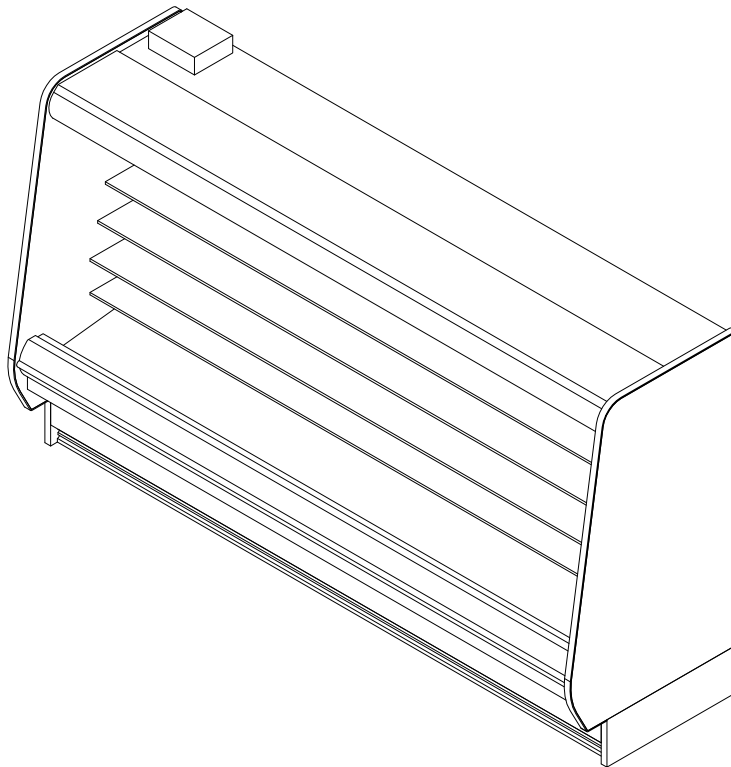


OHHM-NRG

High Multi-Deck Merchandiser with Synerg-E™
4', 6', 8' & 12' (Deli / Meat)

GENERAL NOTES

- "---" indicates that the feature is not an option for this case model and/or the data is not available at this time.
- LED lights only.
- Maximum of 4 rows of Standard Output LED lighted shelves.



SHIPPING WEIGHT	
Case	Weight
OHHM-NRG	---



COMPONENT

ALL MEASUREMENTS ARE TAKEN PER ASHRAE-72-2005 SPECIFICATIONS. HILLPHOENIX REFRIGERATED DISPLAY CASES FOR SALE IN THE UNITED STATES MEET OR EXCEED DEPARTMENT OF ENERGY 2017 REQUIREMENTS.

OHHM-NRG

Rev. Date	Rev. #	Rev. Title
9-19-18	3	DATA UPDATE
6-12-18	2	NEW STANDARDS

Hillphoenix
A DOVER COMPANY

OHHM-NRG

High Multi-Deck Merchandiser with Synerg-E™
4', 6', 8' & 12' (Deli / Meat)

ELECTRICAL DATA			
Case Length	Fans Per Case	High Efficiency Fans	
		120 Volt	
		Amps	Watts
4'	2	0.50	36.0
6'	3	0.75	54.0
8'	3	0.75	54.0
12'	4	1.00	72.0

LIGHTING DATA					
Case Length	Lights per row	Clearvoyant v4 LED Lighting (Per Light Row)			
		Standard Power (Cornice or Shelf)		High Power (Cornice Only)	
		120 Volts		120 Volts	
		Amps	Watts	Amps	Watts
4'	1	0.05	5.9	0.12	14.9
6'	2	0.08	9.4	0.20	23.8
8'	2	0.10	11.8	0.25	29.9
12'	3	0.15	17.6	0.37	44.8

GUIDELINES AND CONTROL SETTINGS						
Front Sill height	BTUH/ft		Superheat Set Point @ Bulb (°F)	Evaporator (°F)	Discharge Air (°F)	Discharge Air Velocity (FPM)
	Conventional	Parallel				
All Others	1410	1234	6 - 8	27	30	200
Standard	1531	1340	6 - 8	27	30	200

DEFROST CONTROLS		
Defrosts Per Day	Timed-Off Defrost	
	Fail-Safe (Min)	Termination Temp (F)
6	40	47

NOTES

- "---" indicates the feature is not an option with this case model and/or that the data is not available at this time.
- Listed BTUH/ft data represent unlighted shelves. For LED lighting, add 9 BTUH/ft to determine Total Case Lighting BTUH Load, then BTUH load increases by 132 BTUH/ft when aftermarket merchandising accessories are utilized.
- Listed evaporator temperature represents unlighted shelves. For lighted shelves and/or aftermarket merchandising accessories, reduce the listed evaporator temperature by 2°F.
- Conventional Discharge Air Control – Recommended Settings: Cut-In Temp = Discharge Air + 2°F; Cut- Out Temp = Discharge Air - 2°F.
- Listed discharge air velocity represents the average velocity immediately after defrost.
- Temperature and defrost settings listed above are recommended start-up settings. Final operational settings may need to be adjusted for the store conditions in which the case operates.
- The recommended evaporator temperatures may need to be adjusted based on system setup, store conditions, etc. The minimum recommended evaporator temperature is 4°F below the listed evaporator temperature.



ALL MEASUREMENTS ARE TAKEN PER ASHRAE-72-2005 SPECIFICATIONS. HILLPHOENIX REFRIGERATED DISPLAY CASES FOR SALE IN THE UNITED STATES MEET OR EXCEED DEPARTMENT OF ENERGY 2017 REQUIREMENTS.

OHHM-NRG

Rev. Date	Rev. #	Rev. Title
9-19-18	3	DATA UPDATE
6-12-18	2	NEW STANDARDS

Hillphoenix
A DOVER COMPANY

OHHM-NRG

High Multi-Deck Merchandiser with Synerg-E™
4', 6', 8' & 12' (Deli / Meat)

SECOND NATURE DATA								
Case Model	No. of Coils	Application	Front Sill Type	BTUH/ft (DR)		GPM/ft (DR)	Supply Fluid Temp (F)	Discharge Air Temp (F)
				Conventional	Parallel			
OHHM-NRG	1	Meat	All Others	1410	1234	0.36	20	30
OHHM-NRG	1	Deli	Standard	1531	1340	0.39	20	30
OHHM-NRG	1	Meat	All Others	1410	1234	0.85	25	30
OHHM-NRG	1	Deli	Standard	1531	1340	0.92	25	30

SECOND NATURE DATA								
Case Model	No. of Coils	Application	Front Sill Type	No. of Defrost	Timed Off Defrost		Warm Fluid Defrost	
					Fail Safe (Min)	Termination Temp (F)	Fail Safe (Min)	Termination Temp (F)
OHHM-NRG	1	Meat	All Others	4	60	47	26	49
OHHM-NRG	1	Deli	Standard	6	60	47	26	49
OHHM-NRG	1	Meat	All Others	6	45	47	26	49
OHHM-NRG	1	Deli	Standard	6	45	47	26	49



ALL MEASUREMENTS ARE TAKEN PER ASHRAE-72-2005 SPECIFICATIONS. HILLPHOENIX REFRIGERATED DISPLAY CASES FOR SALE IN THE UNITED STATES MEET OR EXCEED DEPARTMENT OF ENERGY 2017 REQUIREMENTS.

OHHM-NRG

Rev. Date	Rev. #	Rev. Title
9-19-18	3	DATA UPDATE
6-12-18	2	NEW STANDARDS



A DOVER COMPANY

FRONT OPTIONS		CORNICHE OPTIONS					
		CURVED CORNICHE	CURVED CORNICHE WITH NIGHT COVER	FACETED CORNICHE	FACETED CORNICHE WITH NIGHT COVER	FLAT CORNICHE	FLAT CORNICHE WITH STANDARD NIGHT COVER
FRONT OPTIONS	FLAT FRONT 2	STANDARD FRONT 	STANDARD FRONT 	EXTENDED STANDARD FRONT 	EXTENDED STANDARD FRONT 	6" THERMOPANE FRONT 	6" THERMOPANE FRONT
	FLAT FRONT	STANDARD FRONT 	STANDARD FRONT 	EXTENDED STANDARD FRONT 	EXTENDED STANDARD FRONT 	6" THERMOPANE FRONT 	6" THERMOPANE FRONT
	CLASSIC 2 METAL	STANDARD FRONT 	STANDARD FRONT 	EXTENDED STANDARD FRONT 	EXTENDED STANDARD FRONT 	6" THERMOPANE FRONT 	6" THERMOPANE FRONT
	CLASSIC 2 POLYMER	STANDARD FRONT 	STANDARD FRONT 	EXTENDED STANDARD FRONT 	EXTENDED STANDARD FRONT 	6" THERMOPANE FRONT 	6" THERMOPANE FRONT
	ORIGIN 2	STANDARD FRONT 	STANDARD FRONT 	EXTENDED STANDARD FRONT 	EXTENDED STANDARD FRONT 	6" THERMOPANE FRONT 	6" THERMOPANE FRONT

NOTES:

- Front sill height and overall case height varies with base frame height.
- Extended front sills are required on meat applications to maintain proper product temperature. An extended front has a minimum height of 24" on a 5" base frame, or 30" on an 11" base frame.



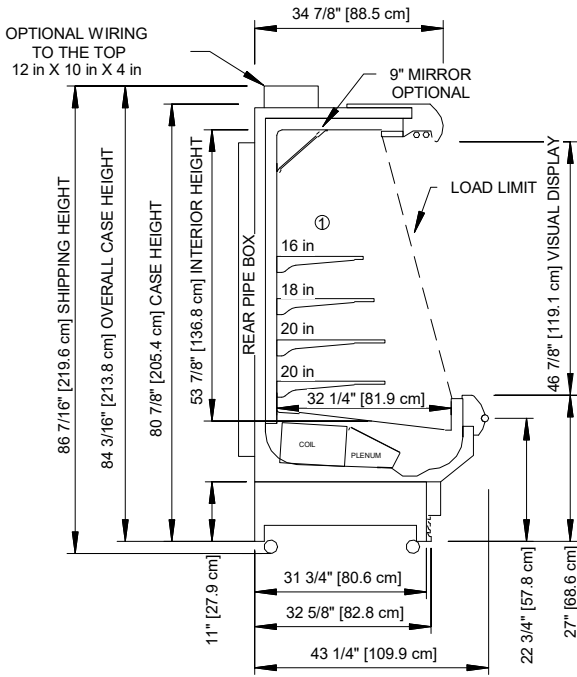
ALL MEASUREMENTS ARE TAKEN PER ASHRAE-72-2005 SPECIFICATIONS. HILLPHOENIX REFRIGERATED DISPLAY CASES FOR SALE IN THE UNITED STATES MEET OR EXCEED DEPARTMENT OF ENERGY 2017 REQUIREMENTS.

OHHM-NRG

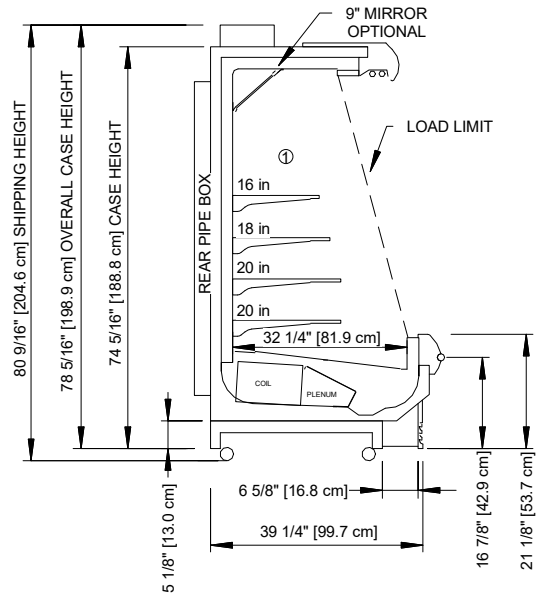
Rev. Date	Rev. #	Rev. Title
9-19-18	3	DATA UPDATE
6-12-18	2	NEW STANDARDS

OHHM-NRG

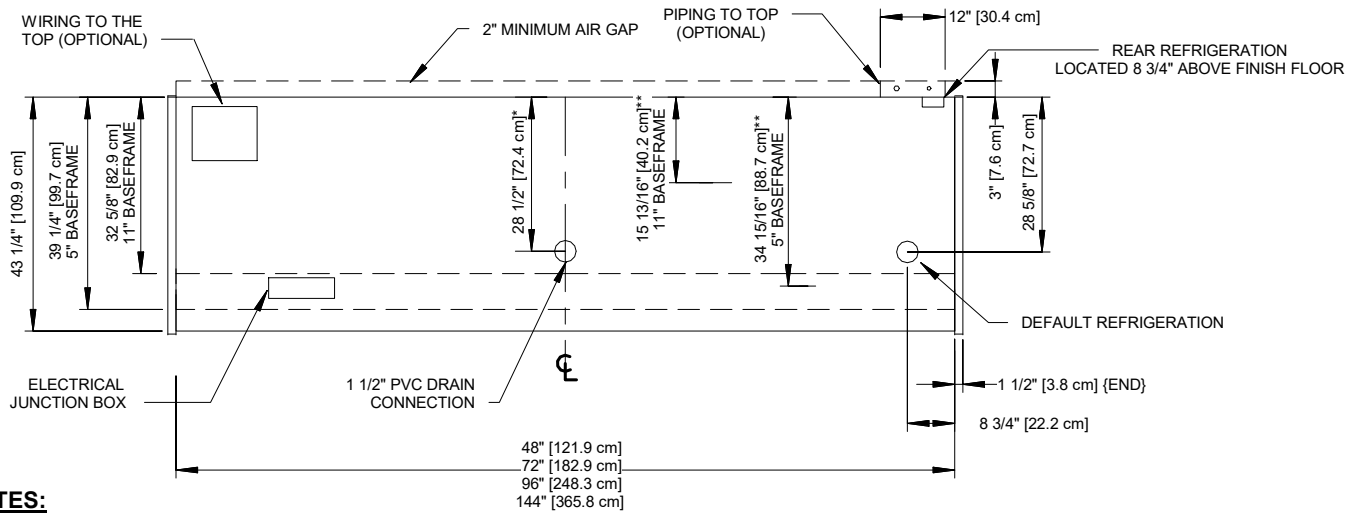
High Multi-Deck Merchandiser with Synerg-E™ 4', 6', 8' & 12' (Deli / Meat)



11" BASEFRAME



5" BASEFRAME



NOTES:

- * : STUB-UP AREA
- ** : RECOMMENDED STUB-UP CENTERLINE FOR ELECTRICAL AND DRAINS
- ① : AVAILABLE SHELF SIZES: 10", 12", 14", 16", 18", 20", 22" & 24"

- Ends add approximately 1" to case height, 1/2" to the back & 1" to the front.
- Back panels add approximately 1" to the rear of the case.



ALL MEASUREMENTS ARE TAKEN PER ASHRAE-72-2005 SPECIFICATIONS. HILLPHOENIX REFRIGERATED DISPLAY CASES FOR SALE IN THE UNITED STATES MEET OR EXCEED DEPARTMENT OF ENERGY 2017 REQUIREMENTS.

OHHM-NRG

Rev. Date	Rev. #	Rev. Title
9-19-18	3	DATA UPDATE
6-12-18	2	NEW STANDARDS

