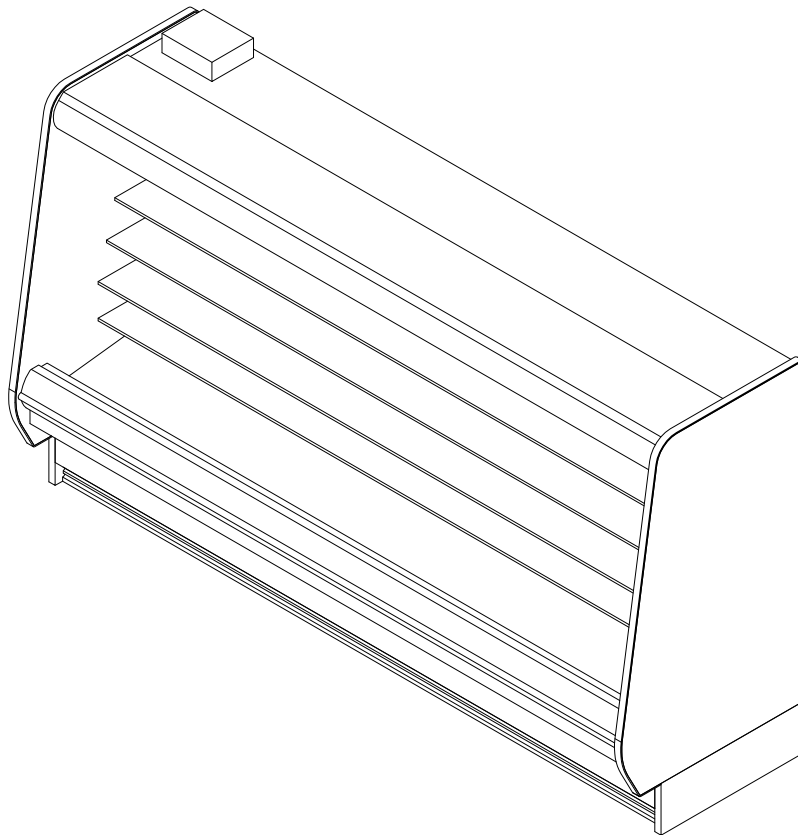


GENERAL NOTES

- "---" indicates that the feature is not an option for this case model and/or the data is not available at this time.
- LED lights only.
- Maximum of 4 rows of Standard Output LED lighted shelves.



| SHIPPING WEIGHT | |
|-----------------|--------|
| Case | Weight |
| OHHM-NRG | --- |



COMPONENT

ALL MEASUREMENTS ARE TAKEN PER ASHRAE-72-2005 SPECIFICATIONS. HILLPHOENIX REFRIGERATED DISPLAY CASES FOR SALE IN THE UNITED STATES MEET OR EXCEED DEPARTMENT OF ENERGY 2017 REQUIREMENTS.

OHHM-NRG

| Rev Date: | Rev # | Revision Description: |
|-----------|-------|-----------------------|
| 9-19-18 | 3 | DATA UPDATE |
| 6-12-18 | 2 | NEW STANDARDS |

| ELECTRICAL DATA | | | |
|-----------------|---------------|----------------------|-------|
| Case Length | Fans Per Case | High Efficiency Fans | |
| | | 120 Volt | |
| | | Amps | Watts |
| 4' | 2 | 0.50 | 36.0 |
| 6' | 3 | 0.75 | 54.0 |
| 8' | 3 | 0.75 | 54.0 |
| 12' | 4 | 1.00 | 72.0 |

| LIGHTING DATA | | | | | |
|---------------|----------------|---|-------|---------------------------|-------|
| Case Length | Lights per row | Clearvoyant v4 LED Lighting (Per Light Row) | | | |
| | | Standard Power (Cornice or Shelf) | | High Power (Cornice Only) | |
| | | 120 Volts | | 120 Volts | |
| | | Amps | Watts | Amps | Watts |
| 4' | 1 | 0.05 | 5.9 | 0.12 | 14.9 |
| 6' | 2 | 0.08 | 9.4 | 0.20 | 23.8 |
| 8' | 2 | 0.10 | 11.8 | 0.25 | 29.9 |
| 12' | 3 | 0.15 | 17.6 | 0.37 | 44.8 |

| GUIDELINES AND CONTROL SETTINGS | | | | | | |
|---------------------------------|--------------|----------|---------------------------------|-----------------|--------------------|------------------------------|
| Front Sill height | BTUH/ft | | Superheat Set Point @ Bulb (°F) | Evaporator (°F) | Discharge Air (°F) | Discharge Air Velocity (FPM) |
| | Conventional | Parallel | | | | |
| All Others | 1410 | 1234 | 6 - 8 | 27 | 30 | 200 |
| Standard | 1531 | 1340 | 6 - 8 | 27 | 30 | 200 |

| DEFROST CONTROLS | | |
|------------------|-------------------|----------------------|
| Defrosts Per Day | Timed-Off Defrost | |
| | Fail-Safe (Min) | Termination Temp (F) |
| 6 | 40 | 47 |

NOTES

- "—" indicates the feature is not an option with this case model and/or that the data is not available at this time.
- Listed BTUH/ft data represent unlighted shelves. For LED lighting, add 9 BTUH/ft to determine Total Case Lighting BTUH Load, then BTUH load increases by 132 BTUH/ft when aftermarket merchandising accessories are utilized.
- Listed evaporator temperature represents unlighted shelves. For lighted shelves and/or aftermarket merchandising accessories, reduce the listed evaporator temperature by 2°F.
- Conventional Discharge Air Control – Recommended Settings: Cut-In Temp = Discharge Air + 2°F; Cut- Out Temp = Discharge Air - 2°F.
- Listed discharge air velocity represents the average velocity immediately after defrost.
- Temperature and defrost settings listed above are recommended start-up settings. Final operational settings may need to be adjusted for the store conditions in which the case operates.
- The recommended evaporator temperatures may need to be adjusted based on system setup, store conditions, etc. The minimum recommended evaporator temperature is 4°F below the listed evaporator temperature.



OHHM-NRG

ALL MEASUREMENTS ARE TAKEN PER ASHRAE-72-2005 SPECIFICATIONS. HILLPHOENIX REFRIGERATED DISPLAY CASES FOR SALE IN THE UNITED STATES MEET OR EXCEED DEPARTMENT OF ENERGY 2017 REQUIREMENTS.

| Rev Date: | Rev # | Revision Description: |
|-----------|-------|-----------------------|
| 9-19-18 | 3 | DATA UPDATE |
| 6-12-18 | 2 | NEW STANDARDS |



A DOVER COMPANY

| SECOND NATURE DATA | | | | | | | | |
|--------------------|--------------|-------------|-----------------|--------------|----------|-------------|-----------------------|------------------------|
| Case Model | No. of Coils | Application | Front Sill Type | BTUH/ft (DR) | | GPM/ft (DR) | Supply Fluid Temp (F) | Discharge Air Temp (F) |
| | | | | Conventional | Parallel | | | |
| OHHM-NRG | 1 | Meat | All Others | 1410 | 1234 | 0.36 | 20 | 30 |
| OHHM-NRG | 1 | Deli | Standard | 1531 | 1340 | 0.39 | 20 | 30 |
| OHHM-NRG | 1 | Meat | All Others | 1410 | 1234 | 0.85 | 25 | 30 |
| OHHM-NRG | 1 | Deli | Standard | 1531 | 1340 | 0.92 | 25 | 30 |

| SECOND NATURE DATA | | | | | | | | |
|--------------------|--------------|-------------|-----------------|----------------|-------------------|----------------------|--------------------|----------------------|
| Case Model | No. of Coils | Application | Front Sill Type | No. of Defrost | Timed Off Defrost | | Warm Fluid Defrost | |
| | | | | | Fail Safe (Min) | Termination Temp (F) | Fail Safe (Min) | Termination Temp (F) |
| OHHM-NRG | 1 | Deli | Standard | 6 | 60 | 47 | 26 | 49 |
| OHHM-NRG | 1 | Meat | All Others | 6 | 45 | 47 | 26 | 49 |
| OHHM-NRG | 1 | Deli | Standard | 6 | 45 | 47 | 26 | 49 |



COMPONENT

ALL MEASUREMENTS ARE TAKEN PER ASHRAE-72-2005 SPECIFICATIONS. HILLPHOENIX REFRIGERATED DISPLAY CASES FOR SALE IN THE UNITED STATES MEET OR EXCEED DEPARTMENT OF ENERGY 2017 REQUIREMENTS.

OHHM-NRG

| Rev Date: | Rev # | Revision Description: |
|-----------|-------|-----------------------|
| 9-19-18 | 3 | DATA UPDATE |
| 6-12-18 | 2 | NEW STANDARDS |

| FRONT OPTIONS | | CORNICHE OPTIONS | | | | | |
|---------------|-------------------|----------------------------|---|-----------------------------|--|-------------------------|--|
| | | CURVED CORNICHE 34 7/8" | CURVED CORNICHE WITH NIGHT COVER 40 1/4" | FACETED CORNICHE 34 3/4" | FACETED CORNICHE WITH NIGHT COVER 38" | FLAT CORNICHE 34" | FLAT CORNICHE WITH STANDARD NIGHT COVER 36 5/8" |
| FRONT OPTIONS | FLAT FRONT 2 | STANDARD FRONT | | EXTENDED STANDARD FRONT | | 6" THERMOPANE FRONT | |
| | FLAT FRONT | STANDARD FRONT | | EXTENDED STANDARD FRONT | | 6" THERMOPANE FRONT | |
| | CLASSIC 2 METAL | STANDARD FRONT | | EXTENDED STANDARD FRONT | | 6" THERMOPANE FRONT | |
| | CLASSIC 2 POLYMER | STANDARD FRONT | | EXTENDED STANDARD FRONT | | 6" THERMOPANE FRONT | |
| | ORIGIN 2 | STANDARD FRONT | | EXTENDED STANDARD FRONT | | 6" THERMOPANE FRONT | |

NOTES:

- Front sill height and overall case height varies with base frame height.
- Extended front sills are required on meat applications to maintain proper product temperature. An extended front has a minimum height of 24" on a 5" baseframe, or 30" on an 11" baseframe.



OHHM-NRG

ALL MEASUREMENTS ARE TAKEN PER ASHRAE-72-2005 SPECIFICATIONS. HILLPHOENIX REFRIGERATED DISPLAY CASES FOR SALE IN THE UNITED STATES MEET OR EXCEED DEPARTMENT OF ENERGY 2017 REQUIREMENTS.

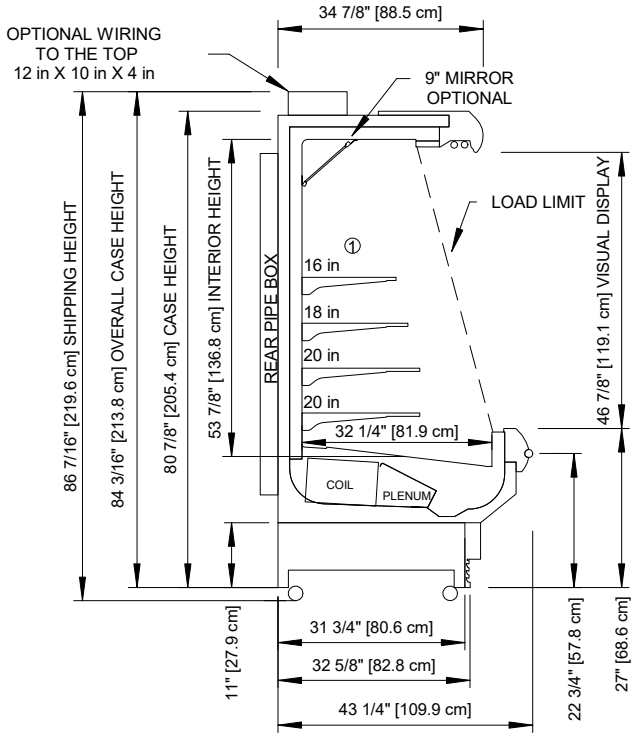
| Rev Date: | Rev # | Revision Description: |
|-----------|-------|-----------------------|
| 9-19-18 | 3 | DATA UPDATE |
| 6-12-18 | 2 | NEW STANDARDS |



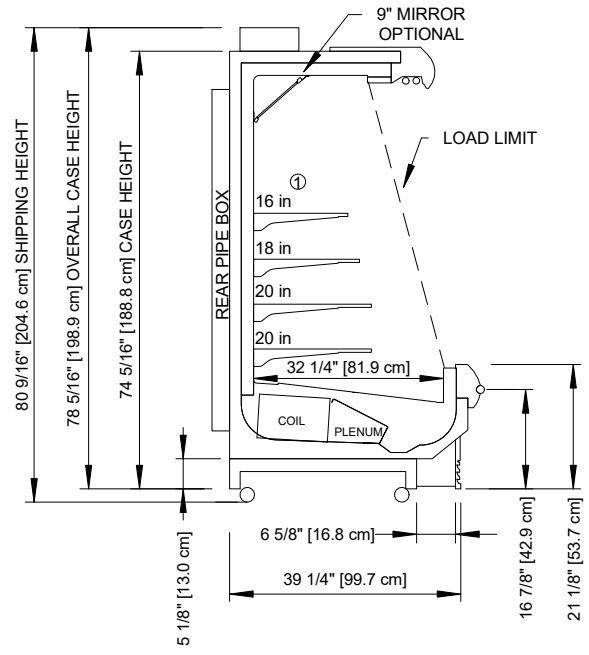
A DOVER COMPANY

OHHM-NRG

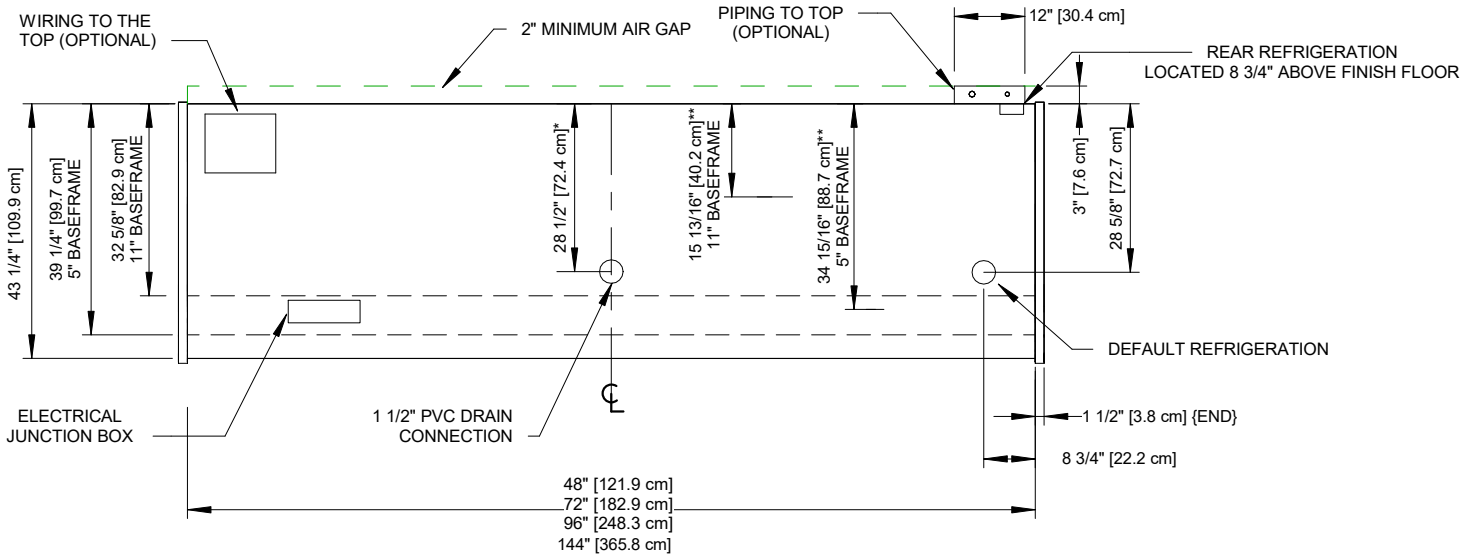
High Multi-Deck Merchandiser with Synerg-E™ 4', 6', 8' & 12' (Deli / Meat)



11" BASEFRAME



5" BASEFRAME



NOTES:

- * : STUB-UP AREA
- ** : RECOMMENDED STUB-UP CENTERLINE FOR ELECTRICAL AND DRAINS
- ① : AVAILABLE SHELF SIZES: 10", 12", 14", 16", 18", 20", 22" & 24"

- Ends add approximately 1" to case height, 1/2" to the back & 1" to the front.
- Back panels add approximately 1" to the rear of the case.



OHHM-NRG

ALL MEASUREMENTS ARE TAKEN PER ASHRAE-72-2005 SPECIFICATIONS. HILLPHOENIX REFRIGERATED DISPLAY CASES FOR SALE IN THE UNITED STATES MEET OR EXCEED DEPARTMENT OF ENERGY 2017 REQUIREMENTS.

| Rev Date: | Rev # | Revision Description: |
|-----------|-------|-----------------------|
| 9-19-18 | 3 | DATA UPDATE |
| 6-12-18 | 2 | NEW STANDARDS |

