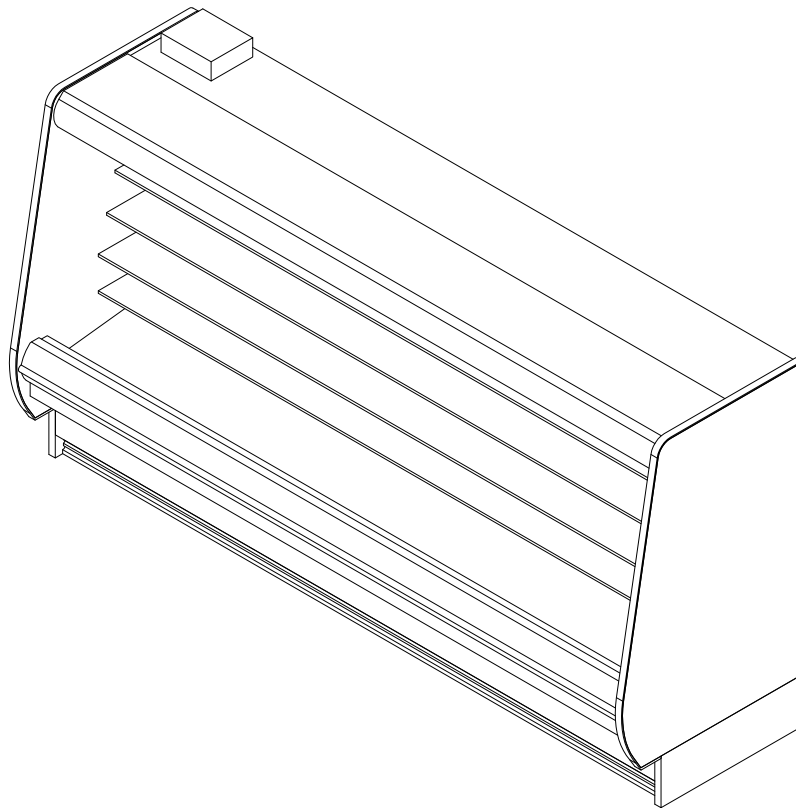


## GENERAL NOTES

- "---" indicates that the feature is not an option for this case model and/or that the data is not yet available.
- LED lights only.
- Maximum of 5 rows of Standard Output LED lighted shelves.



SHIPPING WEIGHT	
Case	Weight
OHP-NRG	---



COMPONENT

ALL MEASUREMENTS ARE TAKEN PER ASHRAE-72-2005 SPECIFICATIONS. HILLPHOENIX REFRIGERATED DISPLAY CASES FOR SALE IN THE UNITED STATES MEET OR EXCEED DEPARTMENT OF ENERGY 2017 REQUIREMENTS.

## OHP-NRG

Rev Date:	Rev #	Revision Description:
10/16/18	3	DATA UPDATE
6/12/18	2	NEW STANDARDS

ELECTRICAL DATA			
Case Length	Fans Per Case	High Efficiency Fans	
		120 Volt	
		Amps	Watts
4'	1	0.23	0.18
6'	2	0.47	35.00
8'	3	0.70	53.00
12'	4	0.93	71.00

LIGHTING DATA						
Case Length	Lights per row	Lights Length	Clearvoyant v4 LED Lighting (Per Light Row)			
			Standard Power (Cornice or Shelf)		High Power (Cornice Only)	
			120 Volts		120 Volts	
			Amps	Watts	Amps	Watts
4'	1	4'	0.05	5.9	0.12	14.9
6'	2	3'	0.08	9.4	0.20	23.8
8'	2	4'	0.10	11.8	0.25	29.9
12'	3	4'	0.15	17.6	0.37	44.8

GUIDELINES AND CONTROL SETTINGS						
Application	BTUH/ft		Superheat Set Point @ Bulb (°F)	Evaporator (°F)	Discharge Air (°F)	Discharge Air Velocity (FPM)
	Conventional	Parallel				
Cut Produce	1263	1105	6 - 8	32	36	150
Bulk Produce	1177	1030	6 - 8	34	38	150

DEFROST CONTROLS		
Defrosts Per Day	Timed-Off Defrost	
	Fail-Safe (Min)	Termination Temp (°F)
6	40	47

### NOTES:

- "---" indicates that the feature is not an option for this case model and/or that the data is not yet available.
- Listed BTUH/ft data represent unlighted shelves. For LED lighting, add 9 BTUH/ft per row of lighted shelving.
- BTUH load increases by 132 BTUH/ft when aftermarket merchandising accessories are utilized.
- Listed evaporator temperature represents unlighted shelves. For lighted shelves and/or aftermarket merchandising accessories, reduce the listed evaporator temperature by 2°F.
- Conventional Discharge Air Control – Recommended Settings: Cut-In Temp = Discharge Air + 2°F; Cut- Out Temp = Discharge Air - 2°F.
- Listed discharge air velocity represents the average velocity immediately after defrost.
- Temperature and defrost settings listed above are recommended start-up settings. Final operational settings may need to be adjusted for the store conditions in which the case operates.
- The recommended evaporator temperatures may need to be adjusted based on system setup, store conditions, etc. The minimum recommended evaporator temperature is 4°F below the listed evaporator temperature.



### OHP-NRG

ALL MEASUREMENTS ARE TAKEN PER ASHRAE-72-2005 SPECIFICATIONS. HILLPHOENIX REFRIGERATED DISPLAY CASES FOR SALE IN THE UNITED STATES MEET OR EXCEED DEPARTMENT OF ENERGY 2017 REQUIREMENTS.

Rev Date:	Rev #	Revision Description:
10/16/18	3	DATA UPDATE
6/12/18	2	NEW STANDARDS

SECOND NATURE DATA								
Case Model	No. of Coils	Application	Front Sill Type	BTUH/ft (DR)		GPM/ft (DR)	Supply Fluid Temp (°F)	Discharge Air Temp (°F)
				Conventional	Parallel			
OHP-NRG	1	Meat	All Other Fronts	1250	1094	0.32	20	30
OHP-NRG	1	Meat	Standards	1371	1200	0.35	20	30
OHP-NRG	1	Meat	All Other Fronts	1250	1094	0.75	20	30
OHP-NRG	1	Meat	Standards	1371	1200	0.82	20	30

SECOND NATURE DATA								
Case Model	No. of Coils	Application	Front Sill Type	No. of Defrost	Timed Off Defrost		Warm Fluid Defrost	
					Fail Safe (Min)	Termination Temp (°F)	Fail Safe (Min)	Termination Temp (°F)
OHP-NRG	1	Meat	All Other Fronts	6	60	47	26	49
OHP-NRG	1	Meat	Standards	6	60	47	26	49
OHP-NRG	1	Meat	All Other Fronts	6	60	47	26	49
OHP-NRG	1	Meat	Standards	6	60	47	26	49



## OHP-NRG

ALL MEASUREMENTS ARE TAKEN PER ASHRAE-72-2005 SPECIFICATIONS. HILLPHOENIX REFRIGERATED DISPLAY CASES FOR SALE IN THE UNITED STATES MEET OR EXCEED DEPARTMENT OF ENERGY 2017 REQUIREMENTS.

Rev Date:	Rev #	Revision Description:
10/16/18	3	DATA UPDATE
6/12/18	2	NEW STANDARDS



FRONT OPTIONS		CORNICHE OPTIONS						
		CURVED CORNICIE	CURVED CORNICIE WITH NIGHT COVER	FACETED CORNICIE	FACETED CORNICIE WITH NIGHT COVER	FLAT CORNICIE	FLAT CORNICIE WITH STANDARD NIGHT COVER	
FRONT OPTIONS	FLAT FRONT 2	STANDARD FRONT 11" BASEFRAME: 28 3/16" [71.5 cm] 5" BASEFRAME: 22 5/16" [56.7 cm]	EXTENDED STANDARD FRONT 11" BASEFRAME: 33 1/16" [84.0 cm] 5" BASEFRAME: 27" [68.6 cm]	6" THERMOPANE FRONT 11" BASEFRAME: 33 7/16" [84.9 cm] 5" BASEFRAME: 27 3/8" [69.5 cm]	FLAT FRONT	STANDARD FRONT 11" BASEFRAME: 27 1/16" [68.7 cm] 5" BASEFRAME: 21 3/16" [53.8 cm]	EXTENDED STANDARD FRONT 11" BASEFRAME: 30" [76.2 cm] 5" BASEFRAME: 24 1/8" [61.3 cm]	6" THERMOPANE FRONT 11" BASEFRAME: 33 1/8" [84.1 cm] 5" BASEFRAME: 27 1/4" [69.1 cm]
	CLASSIC 2 METAL	STANDARD FRONT 11" BASEFRAME: 27 1/16" [68.7 cm] 5" BASEFRAME: 21 3/16" [53.7 cm]	EXTENDED STANDARD FRONT 11" BASEFRAME: 30" [76.2 cm] 5" BASEFRAME: 24 1/8" [61.3 cm]	6" THERMOPANE FRONT 11" BASEFRAME: 33 1/8" [84.2 cm] 5" BASEFRAME: 27 1/4" [69.3 cm]	CLASSIC 2 POLYMER	STANDARD FRONT 11" BASEFRAME: 27 1/16" [68.7 cm] 5" BASEFRAME: 21 3/16" [53.7 cm]	EXTENDED STANDARD FRONT 11" BASEFRAME: 30" [76.2 cm] 5" BASEFRAME: 24 1/8" [61.3 cm]	6" THERMOPANE FRONT 11" BASEFRAME: 33 1/8" [84.2 cm] 5" BASEFRAME: 27 1/4" [69.3 cm]
	ORIGIN 2	STANDARD FRONT 11" BASEFRAME: 27 1/16" [68.7 cm] 5" BASEFRAME: 21 3/16" [53.8 cm]	EXTENDED STANDARD FRONT 11" BASEFRAME: 30" [76.2 cm] 5" BASEFRAME: 24 1/8" [61.3 cm]	6" THERMOPANE FRONT 11" BASEFRAME: 33 1/8" [84.2 cm] 5" BASEFRAME: 27 1/4" [69.3 cm]				

### NOTES:

- Front sill height and overall case height varies with base frame height.



COMPONENT

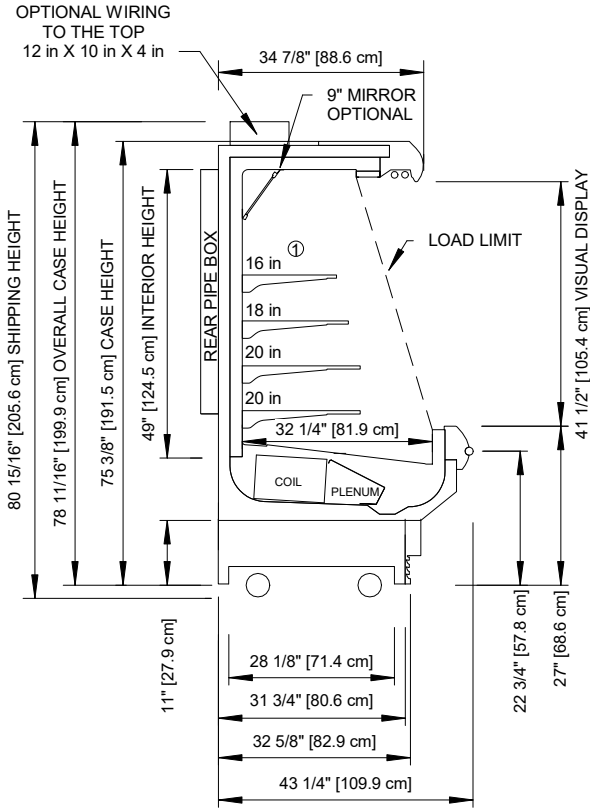
ALL MEASUREMENTS ARE TAKEN PER ASHRAE-72-2005 SPECIFICATIONS. HILLPHOENIX REFRIGERATED DISPLAY CASES FOR SALE IN THE UNITED STATES MEET OR EXCEED DEPARTMENT OF ENERGY 2017 REQUIREMENTS.

### OHP-NRG

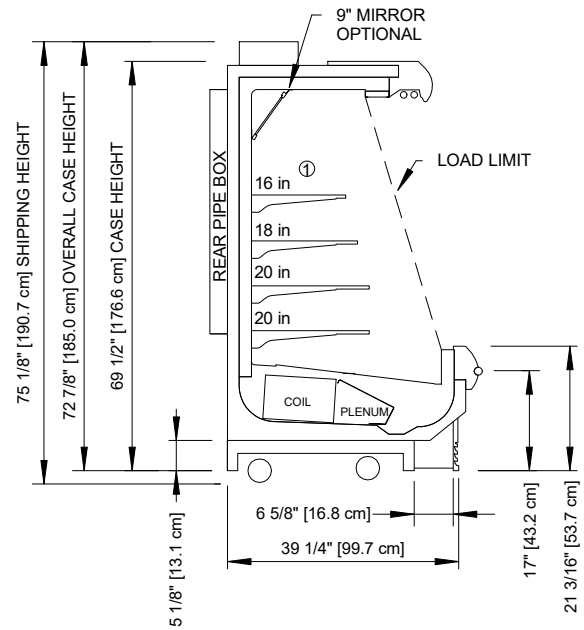
Rev Date:	Rev #	Revision Description:
10/16/18	3	DATA UPDATE
6/12/18	2	NEW STANDARDS

## Hillphoenix

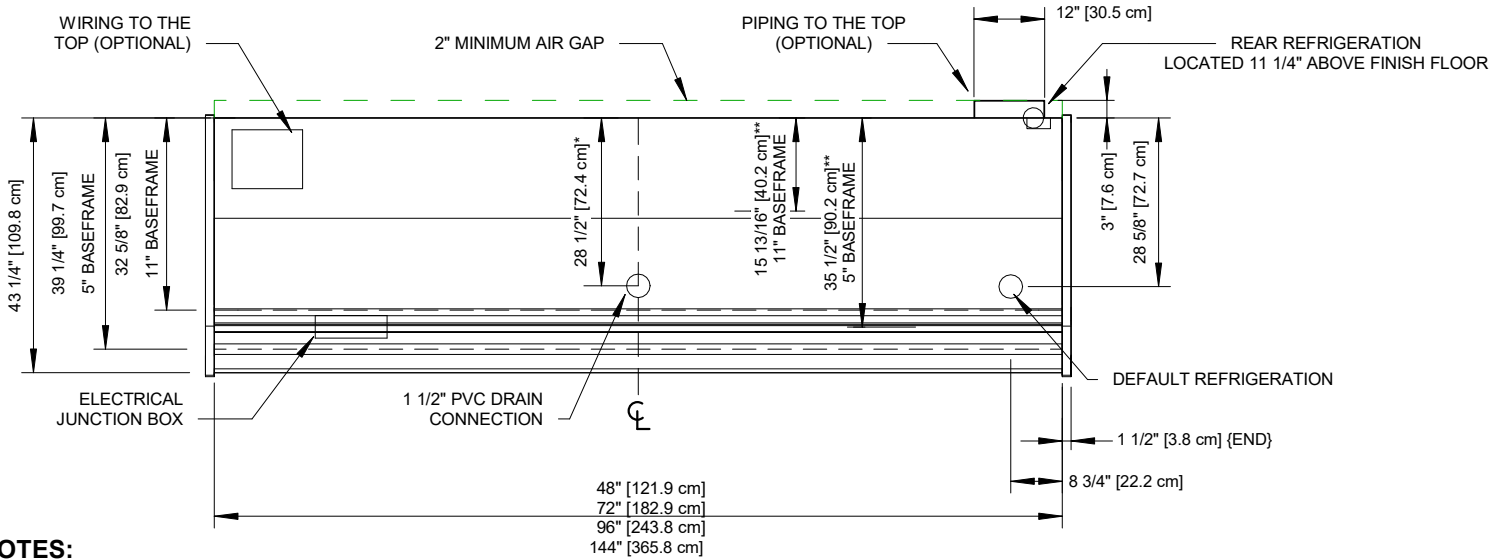
A DOVER COMPANY



**11" BASEFRAME**



**5" BASEFRAME**



**NOTES:**

- \* : STUB-UP AREA
- \*\* : RECOMMENDED STUB-UP CENTERLINE FOR ELECTRICAL AND DRAINS
- Ⓛ : AVAILABLE SHELF SIZES: 10", 12", 14", 16", 18" & 20"

- Ends add approximately 1" to case height, 1/2" to the back & 1" to the front.
- Back panels add approximately 1" to case height.



**OHP-NRG**

ALL MEASUREMENTS ARE TAKEN PER ASHRAE-72-2005 SPECIFICATIONS. HILLPHOENIX REFRIGERATED DISPLAY CASES FOR SALE IN THE UNITED STATES MEET OR EXCEED DEPARTMENT OF ENERGY 2017 REQUIREMENTS.

Rev Date:	Rev #	Revision Description:
10/16/18	3	DATA UPDATE
6/12/18	2	NEW STANDARDS

