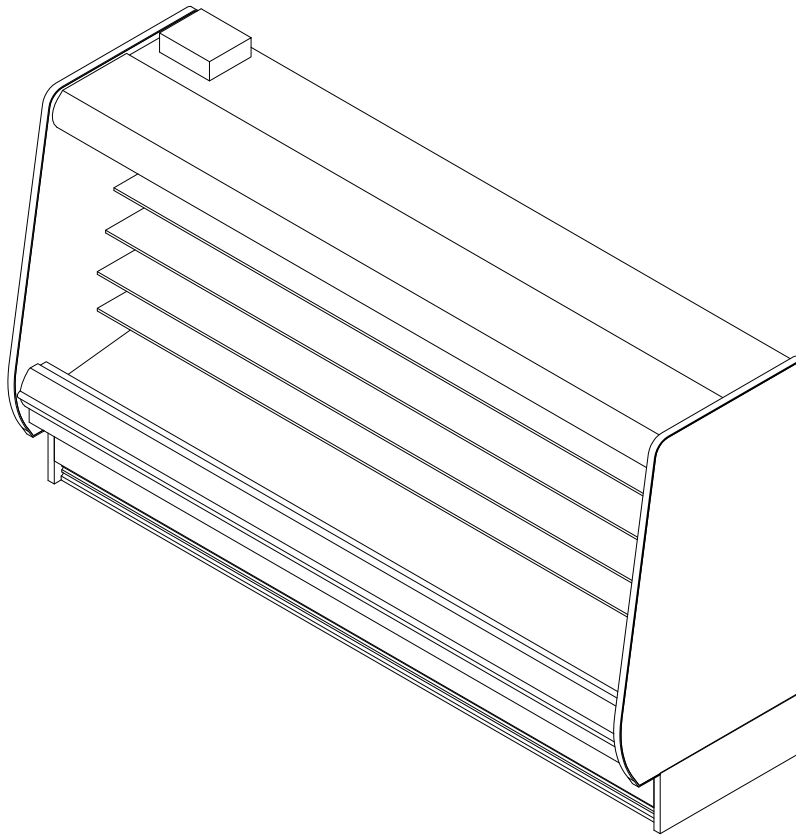


## GENERAL NOTES

- " - - - " indicates that the feature is not an option with this case model and/or that the data is not available at this time.
- LED lights only.
- Maximum of 5 rows of Standard Output LED lighted shelves.



SHIPPING WEIGHT	
Case	Weight
OHPH-NRG	---



COMPONENT

ALL MEASUREMENTS ARE TAKEN PER ASHRAE-72-2005 SPECIFICATIONS. HILLPHOENIX REFRIGERATED DISPLAY CASES FOR SALE IN THE UNITED STATES MEET OR EXCEED DEPARTMENT OF ENERGY 2017 REQUIREMENTS.

## OHPH-NRG

Rev Date:	Rev #	Revision Description:
10/16/18	3	DATA UPDATE
6/1/18	2	NEW STANDARDS

ELECTRICAL DATA			
Case Length	Fans Per Case	High Efficiency Fans	
		120 Volt	
		Amps	Watts
4'	1	0.23	18.0
6'	2	0.47	35.0
8'	3	0.70	53.0
12'	4	0.93	71.0

LIGHTING DATA						
Case Length	Lights per row	Lights Length	Clearvoyant v4 LED Lighting (Per Light Row)			
			Standard Power (Cornice or Shelf)		High Power (Cornice Only)	
			120 Volts		120 Volts	
			Amps	Watts	Amps	Watts
4'	1	4'	0.05	5.9	0.12	14.9
6'	2	3'	0.08	9.4	0.20	23.8
8'	2	4'	0.10	11.8	0.25	29.9
12'	3	4'	0.15	17.6	0.37	44.8

GUIDELINES AND CONTROL SETTINGS						
Application	BTUH/ft		Superheat Set Point @ Bulb (°F)	Evaporator (°F)	Discharge Air (°F)	Discharge Air Velocity (FPM)
	Conventional	Parallel				
Cut Produce	1263	1105	6 - 8	32	36	150
Bulk Produce	1177	1030	6 - 8	34	38	150

DEFROST CONTROLS		
Defrosts Per Day	Timed-Off Defrost	
	Fail-Safe (Min)	Termination Temp (°F)
6	40	47

**NOTES:**

- Listed BTUH/ft data represent unlighted shelves. For LED lighting, add 9 BTUH/ft per row of lighted shelving.
- BTUH load increases by 132 BTUH/ft when aftermarket merchandising accessories are utilized.
- "---" indicates that the feature is not an option with this case model and/or the data is not yet available.
- Listed evaporator temperature represents unlighted shelves. For lighted shelves and/or aftermarket merchandising accessories, reduce the listed evaporator temperature by 2°F.
- Conventional Discharge Air Control – Recommended Settings: Cut-In Temp = Discharge Air + 2°F; Cut-Out Temp = Discharge Air - 2°F.
- Listed discharge air velocity represents the average velocity immediately after defrost.
- Temperature and defrost settings listed above are recommended start-up settings. Final operational settings may need to be adjusted for the store conditions in which the case operates.
- The recommended evaporator temperatures may need to be adjusted based on system setup, store conditions, etc. The minimum recommended evaporator temperature is 4°F below the listed evaporator temperature.



**OHPH-NRG**

ALL MEASUREMENTS ARE TAKEN PER ASHRAE-72-2005 SPECIFICATIONS. HILLPHOENIX REFRIGERATED DISPLAY CASES FOR SALE IN THE UNITED STATES MEET OR EXCEED DEPARTMENT OF ENERGY 2017 REQUIREMENTS.

Rev Date:	Rev #	Revision Description:
10/16/18	3	DATA UPDATE
6/1/18	2	NEW STANDARDS



# OHPH-NRG

High Multi-Deck Merchandiser with Synerg-E™  
4', 6', 8' & 12' (Produce)

SECOND NATURE DATA								
Case Model	No. of Coils	Application	Front Sill Type	BTUH/ft (DR)		GPM/ft (DR)	Supply Fluid Temp (°F)	Discharge Air Temp (°F)
				Conventional	Parallel			
OHPH-NRG	1	Cut Produce	Standard	1263	1105	0.32	20	30
OHPH-NRG	1	Bulk Produce	Standard	1177	1030	0.14	20	34
OHPH-NRG	1	Cut Produce	Standard	1263	1105	0.58	25	30
OHPH-NRG	1	Bulk Produce	Standard	1177	1030	0.25	25	34

SECOND NATURE DATA								
Case Model	No. of Coils	Application	Front Sill Type	No. of Defrost	Timed Off Defrost		Warm Fluid Defrost	
					Fail Safe (Min)	Termination Temp (°F)	Fail Safe (Min)	Termination Temp (°F)
OHPH-NRG	1	Cut Produce	Standard	4	60	47	26	49
OHPH-NRG	1	Bulk Produce	Standard	4	60	47	26	49
OHPH-NRG	1	Cut Produce	Standard	4	45	47	26	49
OHPH-NRG	1	Bulk Produce	Standard	4	45	47	26	49



COMPONENT

ALL MEASUREMENTS ARE TAKEN PER ASHRAE-72-2005 SPECIFICATIONS. HILLPHOENIX REFRIGERATED DISPLAY CASES FOR SALE IN THE UNITED STATES MEET OR EXCEED DEPARTMENT OF ENERGY 2017 REQUIREMENTS.

## OHPH-NRG

Rev Date:	Rev #	Revision Description:
10/16/18	3	DATA UPDATE
6/1/18	2	NEW STANDARDS

**Hillphoenix**  
A DOVER COMPANY

FRONT OPTIONS	CORNICES OPTIONS					
	CURVED CORNICE 34 3/4"	CURVED CORNICE WITH NIGHT COVER 38"	FACETED CORNICE 34 5/8"	FACETED CORNICE WITH NIGHT COVER 37 7/8"	FLAT CORNICE 33 7/8"	FLAT CORNICE WITH STANDARD NIGHT COVER 36 1/2"
FRONT OPTIONS	FLAT FRONT 2	STANDARD FRONT 11" BASEFRAME: 28 3/16" [71.5 cm] 5" BASEFRAME: 22 5/16" [56.7 cm]	EXTENDED STANDARD FRONT 11" BASEFRAME: 33 1/16" [84.0 cm] 5" BASEFRAME: 27" [68.6 cm]	6" THERMOPANE FRONT 11" BASEFRAME: 33 7/16" [84.9 cm] 5" BASEFRAME: 27 3/8" [69.5 cm]		
	FLAT FRONT	STANDARD FRONT 11" BASEFRAME: 27 1/16" [68.7 cm] 5" BASEFRAME: 21 3/16" [53.8 cm]	EXTENDED STANDARD FRONT 11" BASEFRAME: 30" [76.2 cm] 5" BASEFRAME: 24 1/8" [61.3 cm]	6" THERMOPANE FRONT 11" BASEFRAME: 33 1/8" [84.1 cm] 5" BASEFRAME: 27 1/4" [69.1 cm]		
	CLASSIC 2 METAL	STANDARD FRONT 11" BASEFRAME: 27 1/16" [68.7 cm] 5" BASEFRAME: 21 3/16" [53.7 cm]	EXTENDED STANDARD FRONT 11" BASEFRAME: 30" [76.2 cm] 5" BASEFRAME: 24 1/8" [61.3 cm]	6" THERMOPANE FRONT 11" BASEFRAME: 33 1/8" [84.2 cm] 5" BASEFRAME: 27 1/4" [69.3 cm]		
	CLASSIC 2 POLYMER	STANDARD FRONT 11" BASEFRAME: 27 1/16" [68.7 cm] 5" BASEFRAME: 21 3/16" [53.7 cm]	EXTENDED STANDARD FRONT 11" BASEFRAME: 30" [76.2 cm] 5" BASEFRAME: 24 1/8" [61.3 cm]	6" THERMOPANE FRONT 11" BASEFRAME: 33 1/8" [84.2 cm] 5" BASEFRAME: 27 1/4" [69.3 cm]		
	ORIGIN 2	STANDARD FRONT 11" BASEFRAME: 27 1/16" [68.7 cm] 5" BASEFRAME: 21 3/16" [53.8 cm]	EXTENDED STANDARD FRONT 11" BASEFRAME: 30" [76.2 cm] 5" BASEFRAME: 24 1/8" [61.3 cm]	6" THERMOPANE FRONT 11" BASEFRAME: 33 1/8" [84.2 cm] 5" BASEFRAME: 27 1/4" [69.3 cm]		

### NOTES:

- Front sill height and overall case height varies with base frame height.



COMPONENT

ALL MEASUREMENTS ARE TAKEN PER ASHRAE-72-2005 SPECIFICATIONS. HILLPHOENIX REFRIGERATED DISPLAY CASES FOR SALE IN THE UNITED STATES MEET OR EXCEED DEPARTMENT OF ENERGY 2017 REQUIREMENTS.

### OHPH-NRG

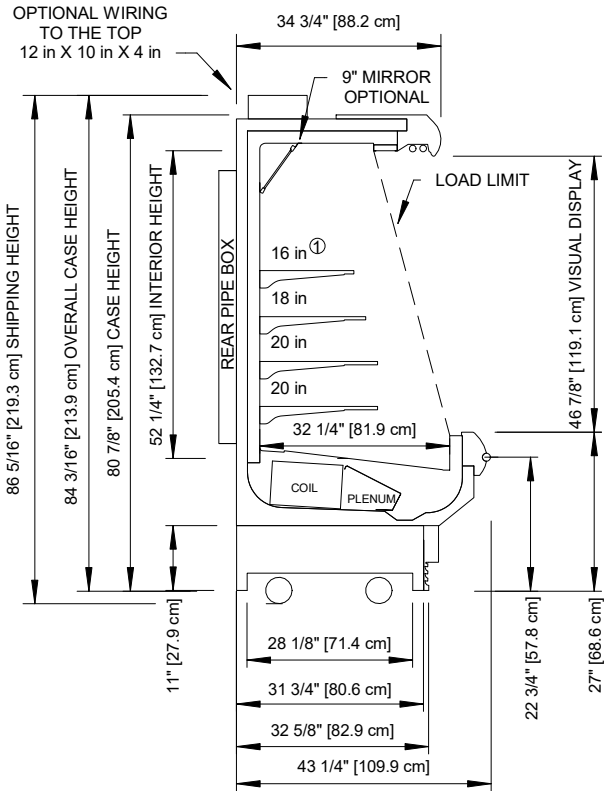
Rev Date:	Rev #	Revision Description:
10/16/18	3	DATA UPDATE
6/1/18	2	NEW STANDARDS

**Hillphoenix**

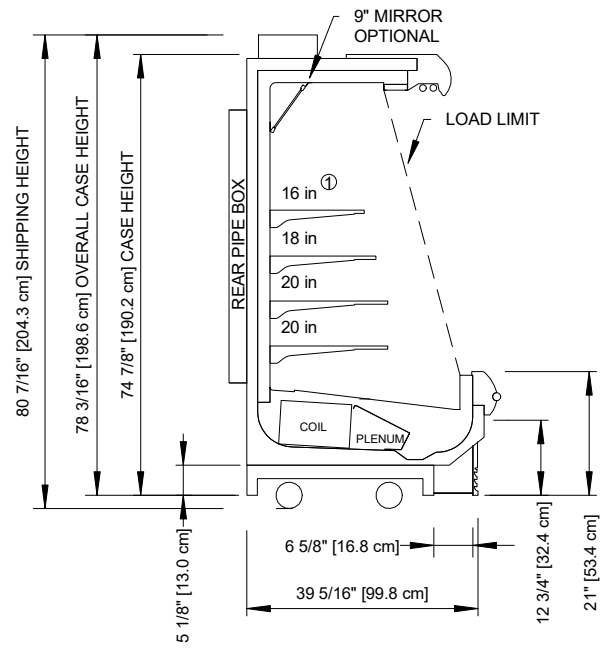
A DOVER COMPANY

# OHPH-NRG

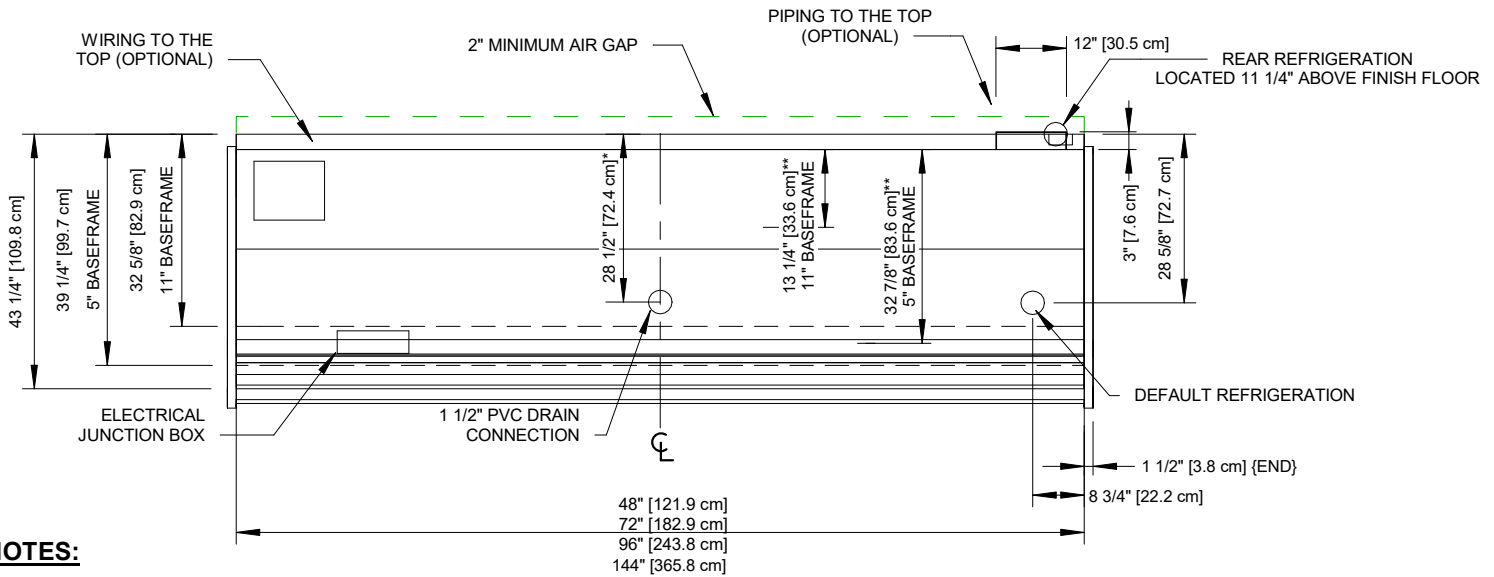
## High Multi-Deck Merchandiser with Synerg-E™ 4', 6', 8' & 12' (Produce)



**11" BASEFRAME**



**5" BASEFRAME**



**NOTES:**

- \* : STUB-UP AREA
- \*\* : RECOMMENDED STUB-UP CENTERLINE FOR ELECTRICAL AND DRAINS
- Ⓛ : AVAILABLE SHELF SIZES: 10", 12", 14", 16", 18" & 20"

- Ends add approximately 1" to case height, 1/2" to the back & 1" to the front.
- Back panels add approximaely 1" to the rear of the case.



**OHPH-NRG**

ALL MEASUREMENTS ARE TAKEN PER ASHRAE-72-2005 SPECIFICATIONS. HILLPHOENIX REFRIGERATED DISPLAY CASES FOR SALE IN THE UNITED STATES MEET OR EXCEED DEPARTMENT OF ENERGY 2017 REQUIREMENTS.

Rev Date:	Rev #	Revision Description:
10/16/18	3	DATA UPDATE
6/1/18	2	NEW STANDARDS

