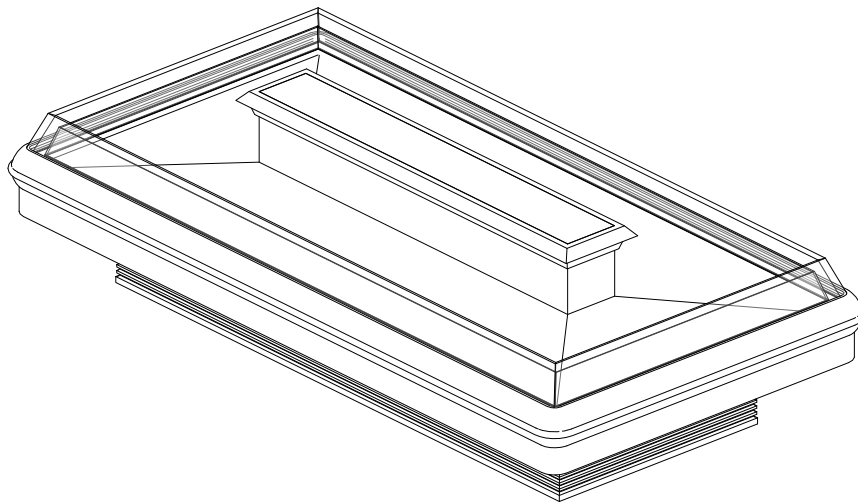


**GENERAL NOTES**

- "---" indicates that the feature is not an option on this case model and/or the data is not yet available.
- LED lights only.



SHIPPING WEIGHT	
Case	Weight
OIM	---



ALL MEASUREMENTS ARE TAKEN PER ASHRAE-72-2005 SPECIFICATIONS. HILLPHOENIX REFRIGERATED DISPLAY CASES FOR SALE IN THE UNITED STATES MEET OR EXCEED DEPARTMENT OF ENERGY 2017 REQUIREMENTS.

**OIM**

Rev Date:	Rev #	Revision Description:
7-13-18	2	NEW STANDARDS
12-1-17	1	DOE 2017

ELECTRICAL DATA									
Case Length	Fans Per Case	High Efficiency Fans		Anti-Condensate Heaters		Defrost Heaters			
		120 Volts		120 Volts		208 Volts		240 Volts	
		Amps	Watts	Amps	Watts	Amps	Watts	Amps	Watts
8'	6	0.90	66	0.82	98	4.34	902	5.00	1200
12'	8	1.20	88	1.08	130	7.22	1502	8.33	2000

LIGHTING DATA							
Case Length	Shelf Depth	Lights Per Row	Light Length	Clearvoyant v4 LED Lighting (Per Light Row)			
				Standard Power (Cornice or Shelf)		High Power (Cornice)	
				120 Volts		120 Volts	
				Amps	Watts	Amps	Watts
8'	Super Structure	2	2 (3ft)	0.08	9.4	0.20	23.8
12'	Super Structure	4	2 (3ft), 2 (4ft)	0.18	21.2	0.45	53.6

GUIDELINES & CONTROL SETTINGS						
Application	BTUH/ft		Superheat @ Bulb Set Point (°F)	Evaporator	Discharge Air	Discharge Air Velocity (FPM)
	Conventional	Parallel				
Meat	762	706	6-8	12	26	140
Deli	535	496	6-8	17	28	140

DEFROST CONTROLS							
Defrosts Per Day	Run-Off Time (Min)	Electric Defrost		Timed-Off Defrost		Hot Gas Defrost	
		Fail-Safe (Min)	Termination Temp (°F)	Fail-Safe (Min)	Termination Temp (°F)	Fail-Safe (Min)	Termination Temp (°F)
3	6-8	40	47	45	47	26	45

## NOTES

- "----" indicates that the feature is not an option on this case model and/or the data is not yet available.
- Listed LED lighting values represent a full row of shelves (including wrap-around ends).
- Listed BTUH/ft data represents unlighted shelves. For LED lighting, add 9 BTUH/ft per row of lighted shelving.
- BTUH/ft per row of lighted shelving.
- Load data represents the sum of both coils.
- For each wrap-around end, the listed BTUH load must be increased by 400 BTUH for meat applications and 250 BTUH for deli applications.
- Listed evaporator temperature represents unlighted shelves. For lighted shelves and/or aftermarket merchandising accessories, reduce the listed evaporator temperature by 2°F.
- BTUH load increases by 132 BTUH/ft when aftermarket merchandising accessories are utilized.
- Listed discharge air velocity represents the average velocity at the peak of defrost.
- Temperature and defrost settings listed above are recommended start-up settings. Final operational settings may need to be adjusted for the store conditions in which the case operates.
- The recommended evaporator temperatures may need to be adjusted based on system setup, store conditions, etc. The minimum recommended evaporator temperature is 4°F below the listed evaporator temperature.



ALL MEASUREMENTS ARE TAKEN PER ASHRAE-72-2005 SPECIFICATIONS. HILLPHOENIX REFRIGERATED DISPLAY CASES FOR SALE IN THE UNITED STATES MEET OR EXCEED DEPARTMENT OF ENERGY 2017 REQUIREMENTS.

OIM

Rev Date:	Rev #	Revision Description:
7-13-18	2	NEW STANDARDS
12-1-17	1	DOE 2017

**Hillphoenix**  
A BOWEN COMPANY

SECOND NATURE DATA								
Case Model	No. Of Coils	Application	Front Sill Type	BTUH/ft (DR)		GPM/ft (DR)	Supply Fluid Temp (°F)	Discharge Air Temp (°F)
				Conventional	Parallel			
OIM	2	Deli	7" Thermopane	1035	996	0.56	20	28
OIM	2	Meat	7" Thermopane	1562	1506	0.85	20	26

SECOND NATURE DATA								
Case Model	No. of Coils	Application	Front Sill Type	No. of Defrosts	Timed-Off Defrost		Warm Fluid Defrost	
					Fail-Safe (Min)	Termination Temp (°F)	Fail-Safe (Min)	Termination Temp (°F)
OIM	2	Deli	7" Thermopane	3	60	47	26	49
OIM	2	Meat	7" Thermopane	3	60	47	26	49



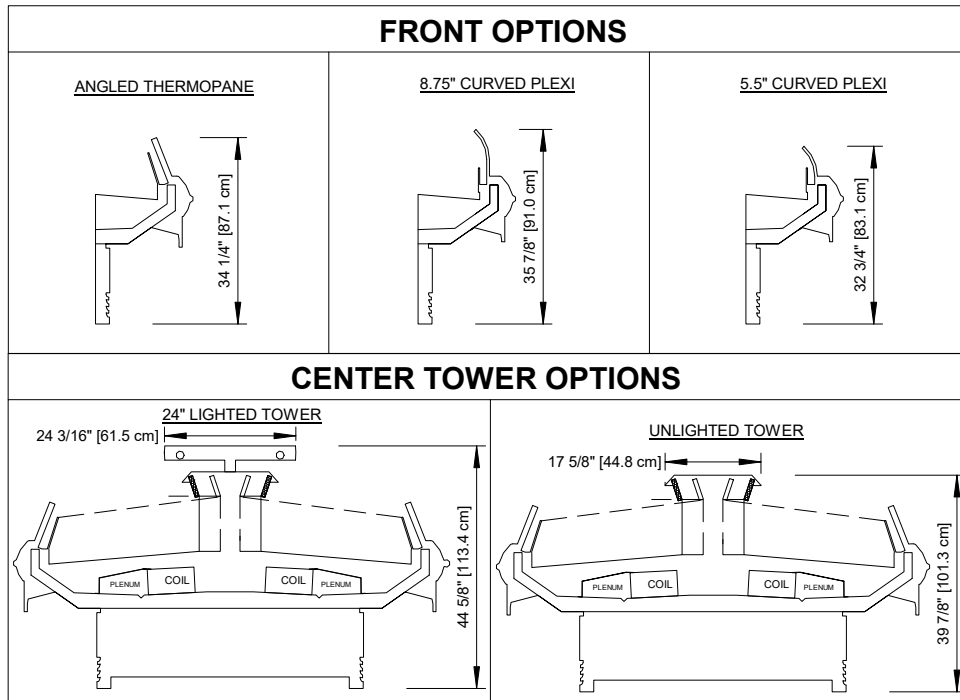
ALL MEASUREMENTS ARE TAKEN PER ASHRAE-72-2005 SPECIFICATIONS. HILLPHOENIX REFRIGERATED DISPLAY CASES FOR SALE IN THE UNITED STATES MEET OR EXCEED DEPARTMENT OF ENERGY 2017 REQUIREMENTS.

## OIM

Rev Date:	Rev #	Revision Description:
7-13-18	2	NEW STANDARDS
12-1-17	1	DOE 2017



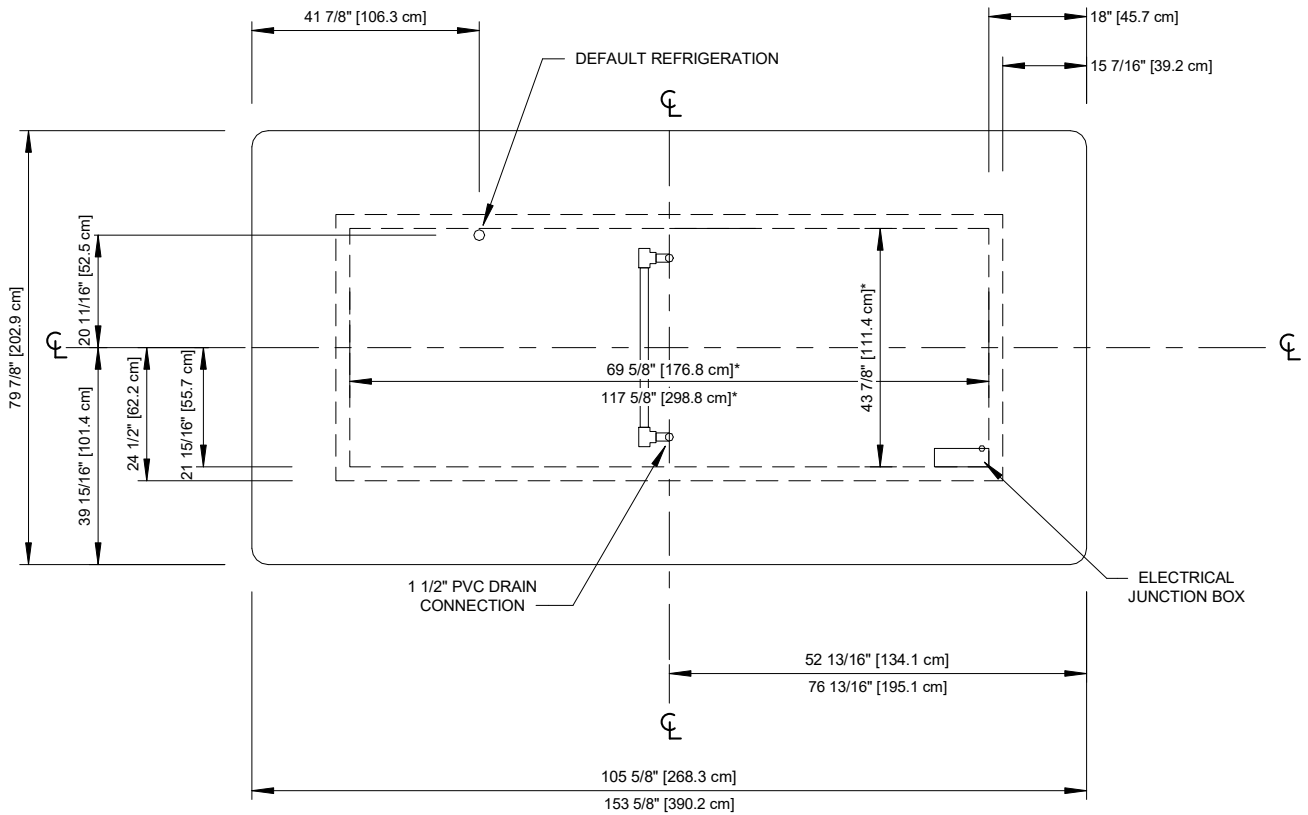
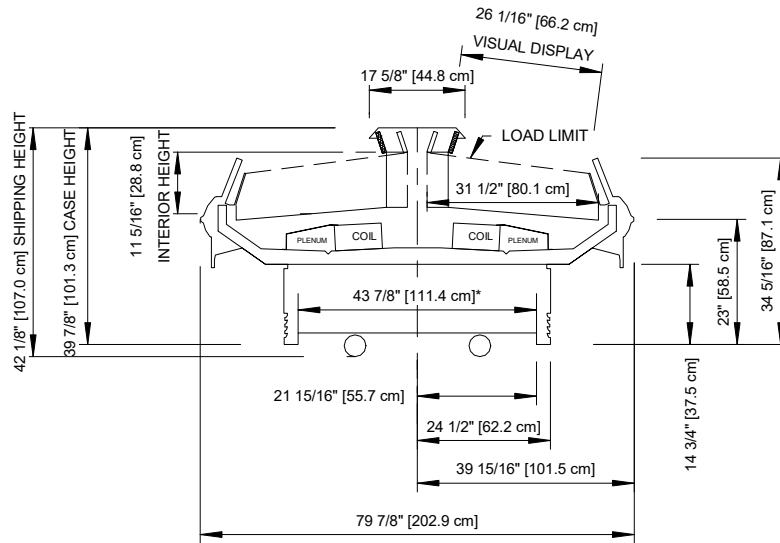
A BOWEN COMPANY



ALL MEASUREMENTS ARE TAKEN PER ASHRAE-72-2005 SPECIFICATIONS. HILLPHOENIX REFRIGERATED DISPLAY CASES FOR SALE IN THE UNITED STATES MEET OR EXCEED DEPARTMENT OF ENERGY 2017 REQUIREMENTS.

OIM

Rev Date:	Rev #	Revision Description:
7-13-18	2	NEW STANDARDS
12-1-17	1	DOE 2017



### NOTES

\* : STUB-UP AREA

- Front and center sill heights vary with base frame height.



ALL MEASUREMENTS ARE TAKEN PER ASHRAE-72-2005 SPECIFICATIONS. HILLPHOENIX REFRIGERATED DISPLAY CASES FOR SALE IN THE UNITED STATES MEET OR EXCEED DEPARTMENT OF ENERGY 2017 REQUIREMENTS.

OIM

Rev Date:	Rev #	Revision Description:
7-13-18	2	NEW STANDARDS
12-1-17	1	DOE 2017

**Hillphoenix**  
A DOWDY COMPANY