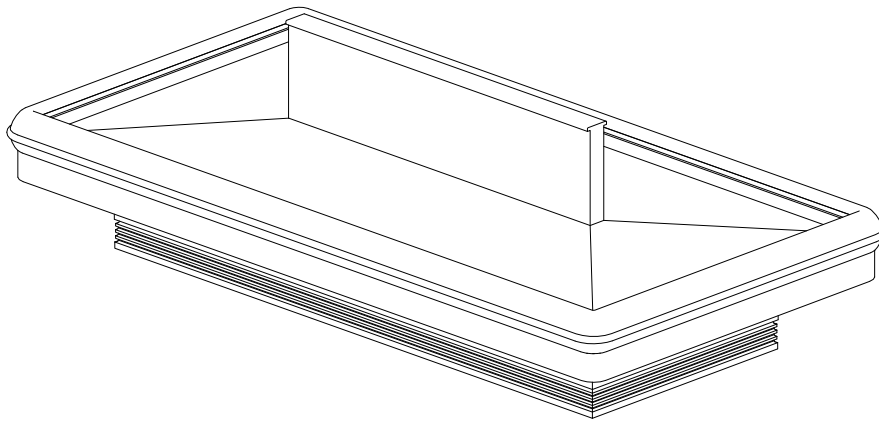


**GENERAL NOTES**

- "---" indicates that the feature is not an option on this case model and/or the data is not yet available.



SHIPPING WEIGHT	
Case	Weight
OIP	---



ALL MEASUREMENTS ARE TAKEN PER ASHRAE-72-2005 SPECIFICATIONS. HILLPHOENIX REFRIGERATED DISPLAY CASES FOR SALE IN THE UNITED STATES MEET OR EXCEED DEPARTMENT OF ENERGY 2017 REQUIREMENTS.

**OIP**

Rev Date:	Rev #	Revision Description:
7-17-18	2	NEW STANDARDS
12-1-17	1	DOE 2017



ELECTRICAL DATA					
Case Length	Fans Per Case	High Efficiency Fans		Anti-Condensate Heaters	
		120 Volts		120 Volts	
		Amps	Watts	Amps	Watts
8'	6	0.90	66	0.23	28
12'	8	1.20	88	0.55	66

GUIDELINES & CONTROL SETTINGS					
BTUH/ft		Superheat @ Bulb Set Point (°F)	Evaporator (°F)	Discharge Air (°F)	Discharge Air Velocity (FPM)
Conventional	Parallel				
631	586	6-8	22	34	140

DEFROST CONTROLS			
Defrosts Per Day	Run-Off Time (Min)	Timed-Off Defrost	
		Fail-Safe (Min)	Termination Temp (°F)
3	6-8	44	38

## NOTES

- "----" indicates that the feature is not an option on this case model and/or the data is not yet available.
- Add 600 BTUHs per wrap-around end.
- Load data represents the sum of both coils.
- BTUH load increases by 132 BTUH/ft when aftermarket merchandising accessories are utilized.
- Listed discharge air velocity represents the average velocity at the peak of defrost.
- Temperature and defrost settings listed above are recommended start-up settings. Final operational settings may need to be adjusted for the store conditions in which the case operates.
- The recommended evaporator temperatures may need to be adjusted based on system setup, store conditions, etc. The minimum recommended evaporator temperature is 4°F below the listed evaporator temperature.



ALL MEASUREMENTS ARE TAKEN PER ASHRAE-72-2005 SPECIFICATIONS. HILLPHOENIX REFRIGERATED DISPLAY CASES FOR SALE IN THE UNITED STATES MEET OR EXCEED DEPARTMENT OF ENERGY 2017 REQUIREMENTS.

OIP

Rev Date:	Rev #	Revision Description:
7-17-18	2	NEW STANDARDS
12-1-17	1	DOE 2017

**Hillphoenix**  
A BOWEN COMPANY

SECOND NATURE DATA								
Case Model	No. Of Coils	Application	Front Sill Type	BTUH/ft (DR)		GPM/ft (DR)	Supply Fluid Temp (°F)	Discharge Air Temp (°F)
				Conventional	Parallel			
OIP	2	Bulk Produce	Standard	1831	1786	0.50	20	34

SECOND NATURE DATA								
Case Model	No. of Coils	Application	Front Sill Type	No. of Defrosts	Timed-Off Defrost		Warm Fluid Defrost	
					Fail-Safe (Min)	Termination Temp (°F)	Fail-Safe (Min)	Termination Temp (°F)
OIP	2	Bulk Produce	Standard	3	60	47	26	49

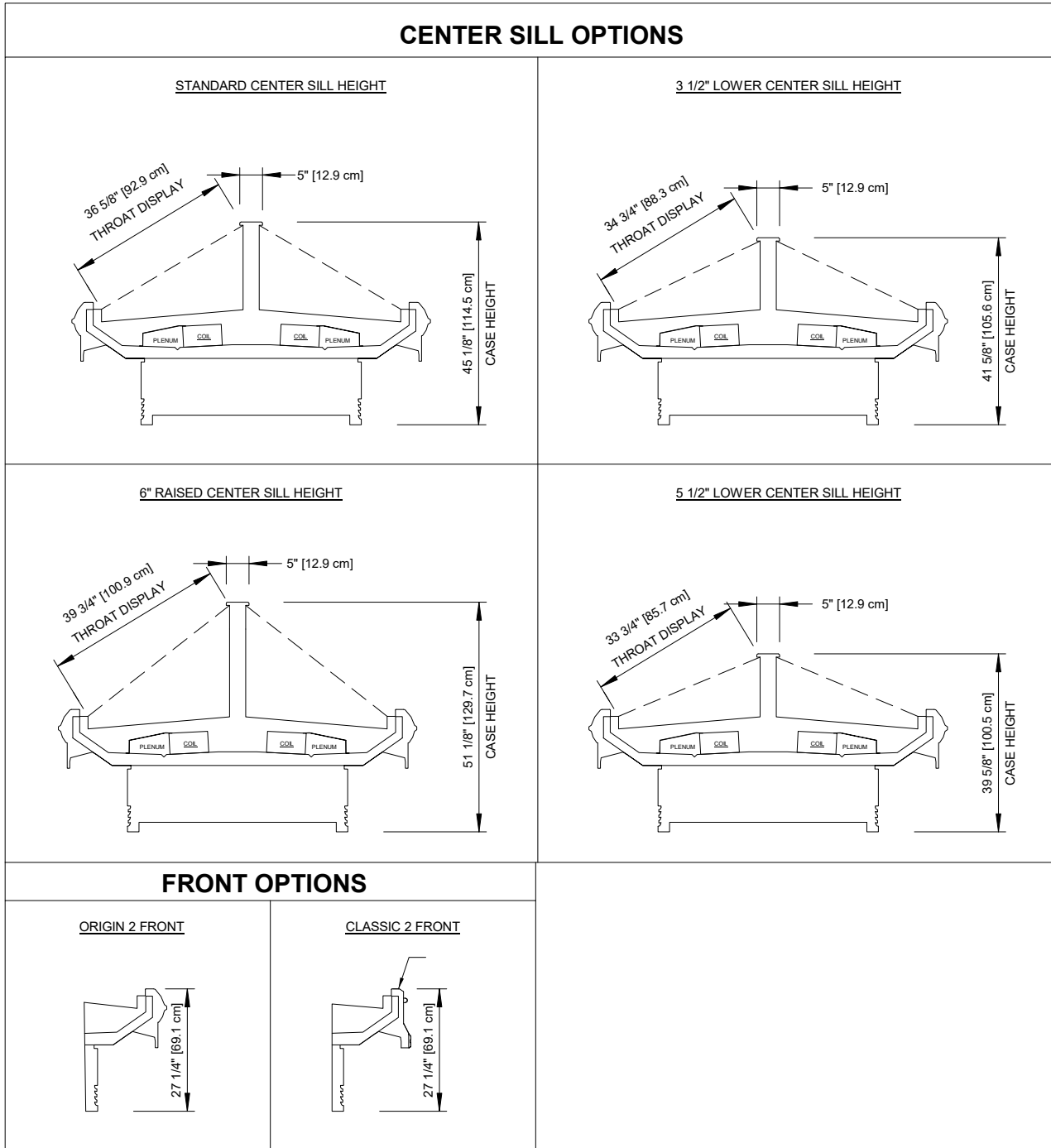


ALL MEASUREMENTS ARE TAKEN PER ASHRAE-72-2005 SPECIFICATIONS. HILLPHOENIX REFRIGERATED DISPLAY CASES FOR SALE IN THE UNITED STATES MEET OR EXCEED DEPARTMENT OF ENERGY 2017 REQUIREMENTS.

OIP

Rev Date:	Rev #	Revision Description:
7-17-18	2	NEW STANDARDS
12-1-17	1	DOE 2017



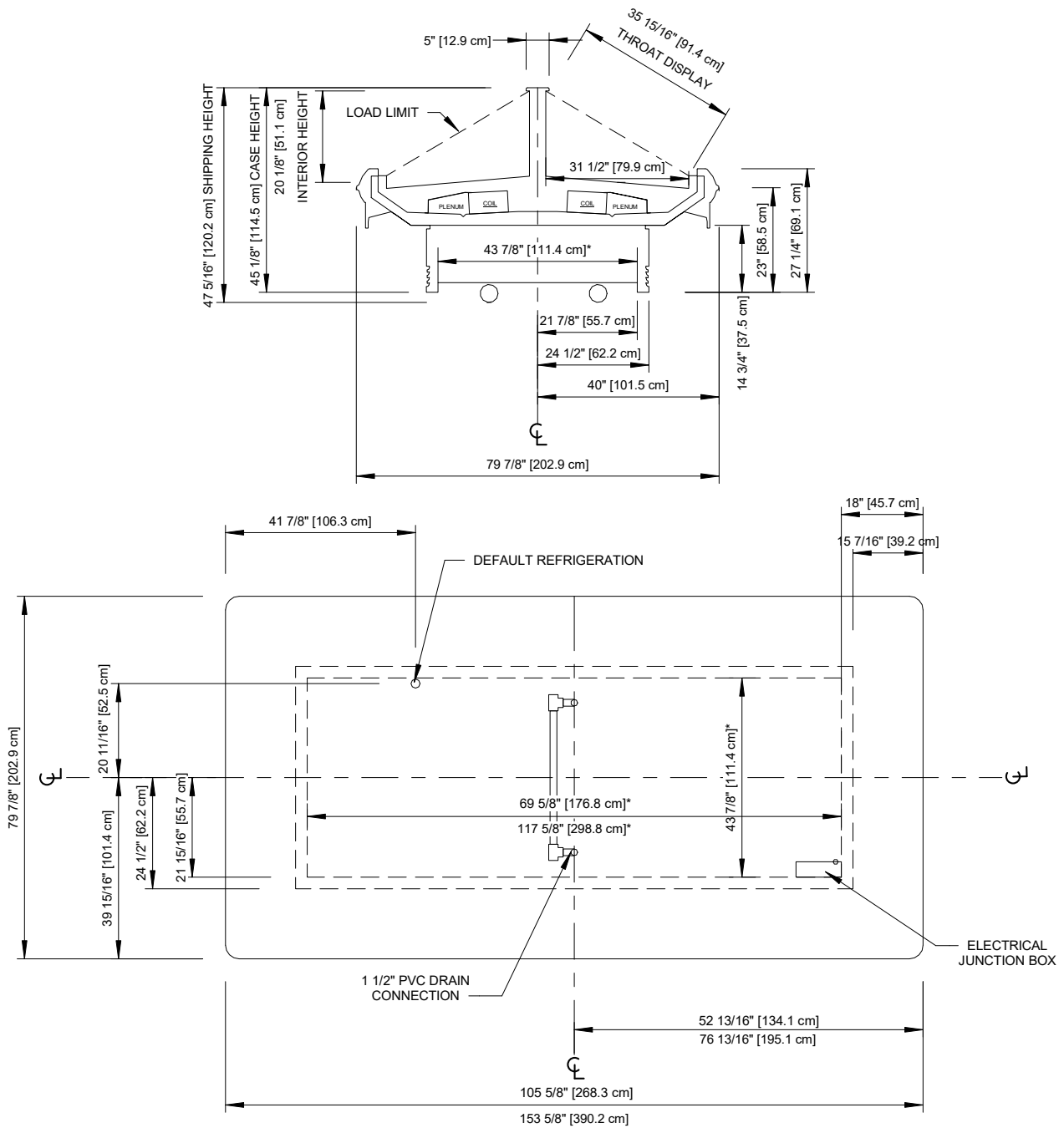


ALL MEASUREMENTS ARE TAKEN PER ASHRAE-72-2005 SPECIFICATIONS. HILLPHOENIX REFRIGERATED DISPLAY CASES FOR SALE IN THE UNITED STATES MEET OR EXCEED DEPARTMENT OF ENERGY 2017 REQUIREMENTS.

OIP

Rev Date:	Rev #	Revision Description:
7-17-18	2	NEW STANDARDS
12-1-17	1	DOE 2017





### NOTES

- \* : STUB-UP AREA
- Front and center sill heights vary with base frame height.



ALL MEASUREMENTS ARE TAKEN PER ASHRAE-72-2005 SPECIFICATIONS. HILLPHOENIX REFRIGERATED DISPLAY CASES FOR SALE IN THE UNITED STATES MEET OR EXCEED DEPARTMENT OF ENERGY 2017 REQUIREMENTS.

OIP

Rev Date:	Rev #	Revision Description:
7-17-18	2	NEW STANDARDS
12-1-17	1	DOE 2017