

REFERENCE NOTES FOR ENGINEERING DATA:

- "0.00" indicates that the feature is not an option on this case model
- BTUH/ft Notes:
 - Add 600 BTUHs per wrap-around end.
 - Load data represents the sum of both coils.
- Listed evaporator temperature represents unlighted shelves. For lighted shelves and/or aftermarket merchandising accessories, reduce the listed evaporator temperature by 2°F.
- BTUH load increases by 132 BTUH/ft when aftermarket merchandising accessories are utilized.
- Listed discharge air velocity represents the average velocity at the peak of defrost.
- Temperature and defrost settings listed above are recommended start-up settings. Final operational settings may need to be adjusted for the store conditions in which the case operates.
- The recommended evaporator temperatures may need to be adjusted based on system setup, store conditions, etc. The minimum recommended evaporator temperature is 4°F below the listed evaporator temperature.

REFERENCE NOTES FOR CROSS SECTIONS:

- * : STUB-UP AREA
- Front and center sill heights vary with base frame height.
- Suction Line - 7/8" , Liquid Line - 1/2"
- Dashed lines signify area inside base rail behind kick-plate
- Casters add apoximately 2 1/4" to case height



ALL MEASUREMENTS ARE TAKEN PER ASHRAE-72-2005 SPECIFICATIONS. HILLPHOENIX REFRIGERATED DISPLAY CASES FOR SALE IN THE UNITED STATES MEET OR EXCEED DEPARTMENT OF ENERGY 2017 REQUIREMENTS.

OIP

Rev Date:	Rev #	Revision Description:
2/17/2017	1	DOE 2017



A DOVER COMPANY

ELECTRICAL DATA					
Case Length	Fans Per Case	High Efficiency Fans		Anti-Condensate Heaters	
		120 Volts		120 Volts	
		Amps	Watts	Amps	Watts
8'	6	0.90	66	0.23	28
12'	8	1.20	88	0.55	66

GUIDELINES & CONTROL SETTINGS					
BTUH/ft		Superheat @ Bulb Set Point (°F)	Evaporator (°F)	Discharge Air (°F)	Discharge Air Velocity (FPM)
Conventional	Parallel				
631	586	6-8	22	34	140

DEFROST CONTROLS			
Defrosts Per Day	Run-Off Time (Min)	Timed-Off Defrost	
		Fail-Safe (Min)	Termination Temp (°F)
3	6-8	44	38



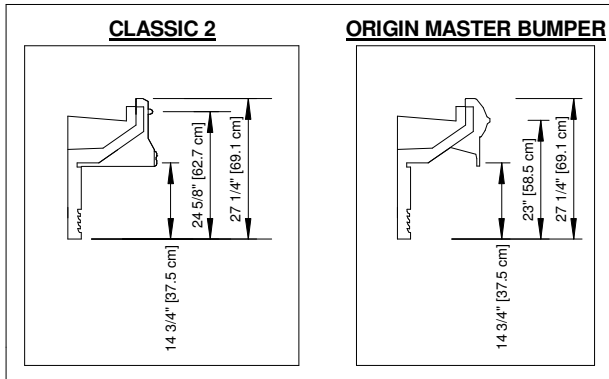
ALL MEASUREMENTS ARE TAKEN PER ASHRAE-72-2005 SPECIFICATIONS. HILLPHOENIX REFRIGERATED DISPLAY CASES FOR SALE IN THE UNITED STATES MEET OR EXCEED DEPARTMENT OF ENERGY 2017 REQUIREMENTS.

OIP

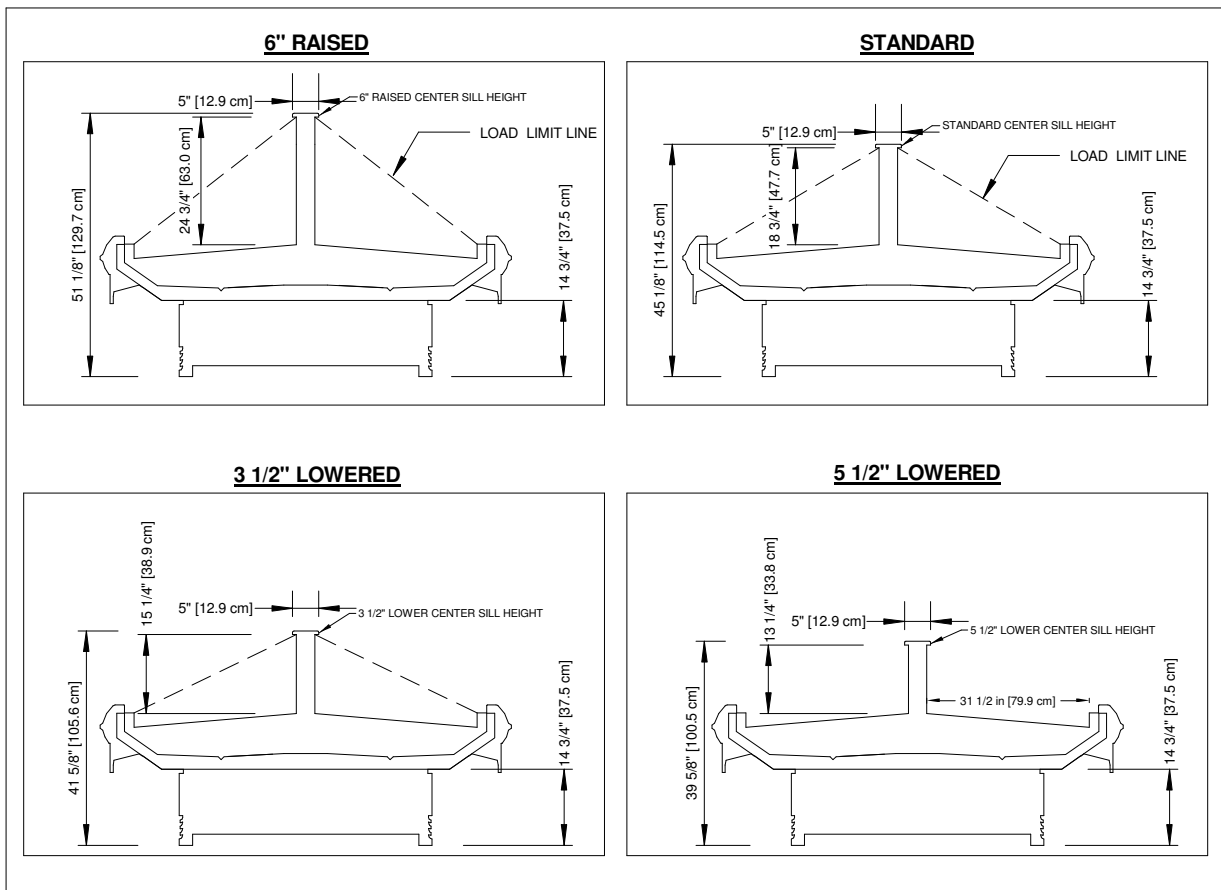
Rev Date:	Rev #	Revision Description:
2/17/2017	1	DOE 2017



SOLID FRONT OPTIONS



CENTER TOWER OPTIONS



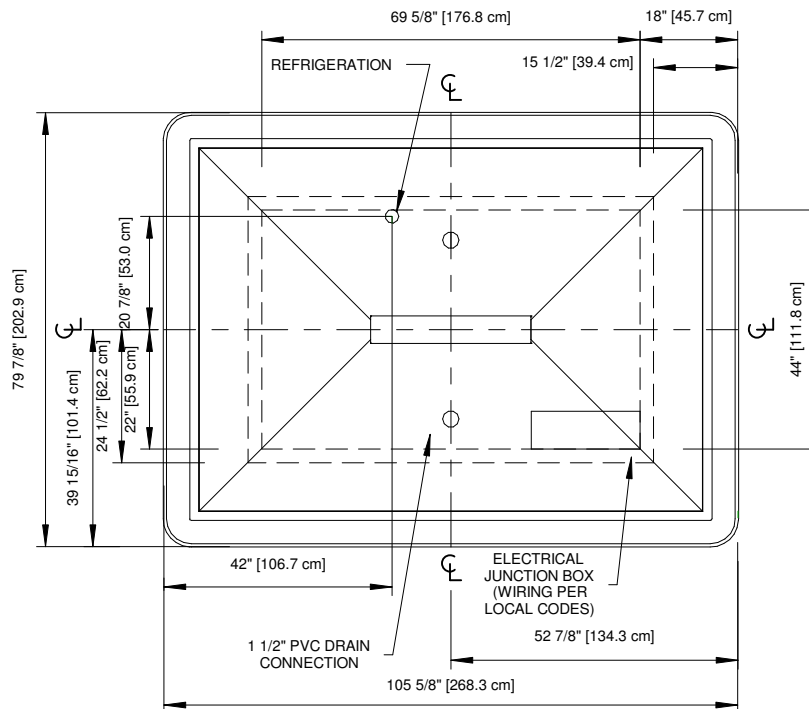
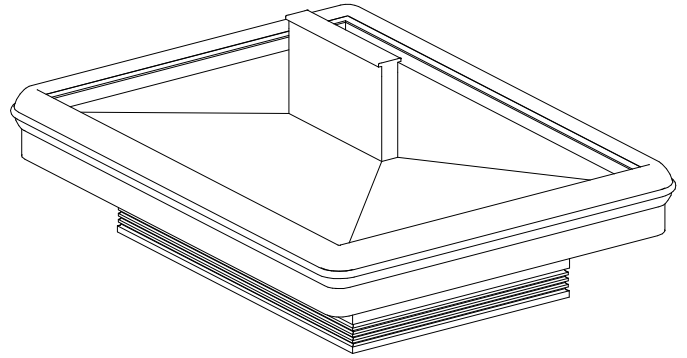
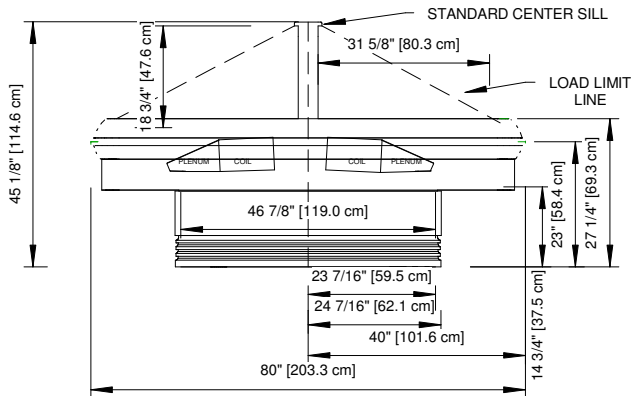
ALL MEASUREMENTS ARE TAKEN PER ASHRAE-72-2005 SPECIFICATIONS. HILLPHOENIX REFRIGERATED DISPLAY CASES FOR SALE IN THE UNITED STATES MEET OR EXCEED DEPARTMENT OF ENERGY 2017 REQUIREMENTS.

OIP

Rev Date:	Rev #	Revision Description:
9-27-17	1	DOE 2017

Hillphoenix

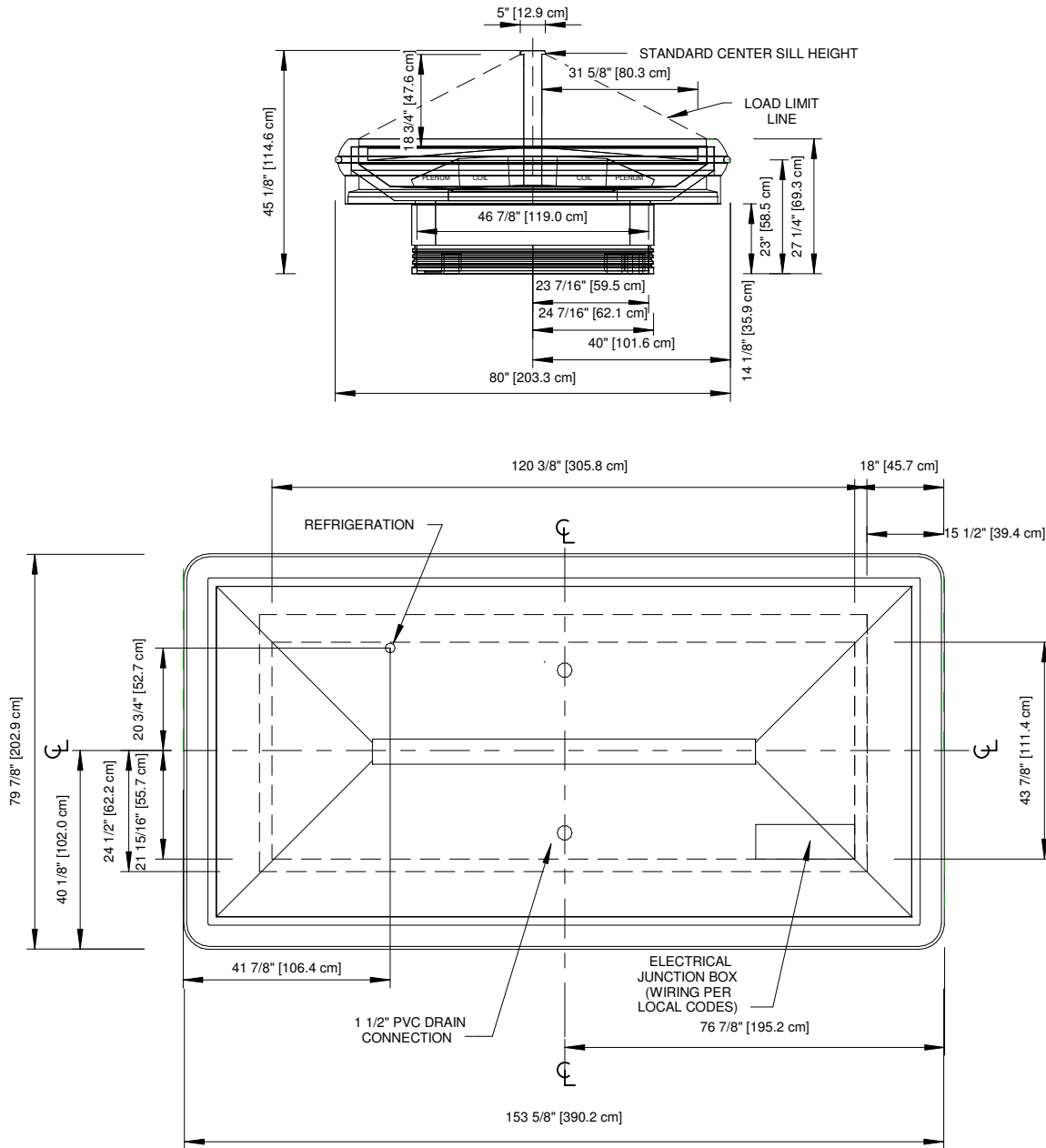
A DOVER COMPANY



ALL MEASUREMENTS ARE TAKEN PER ASHRAE-72-2005 SPECIFICATIONS. HILLPHOENIX REFRIGERATED DISPLAY CASES FOR SALE IN THE UNITED STATES MEET OR EXCEED DEPARTMENT OF ENERGY 2017 REQUIREMENTS.

OIP 8'

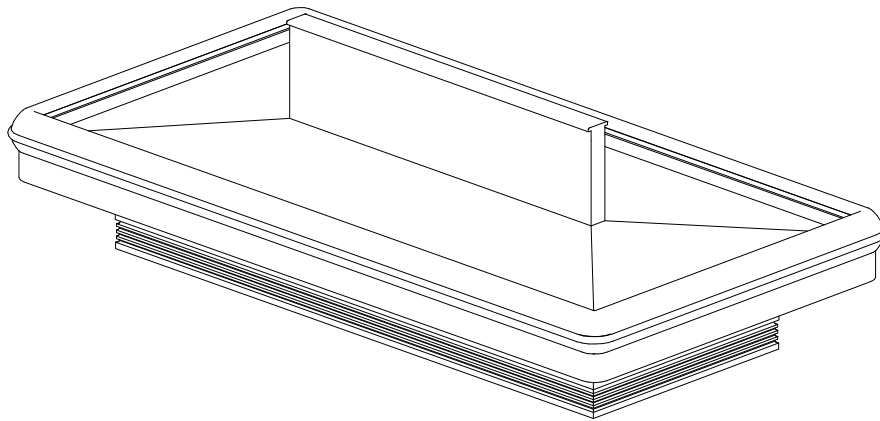
Rev Date:	Rev #	Revision Description:
2/17/2017	1	DOE 2017



ALL MEASUREMENTS ARE TAKEN PER ASHRAE-72-2005 SPECIFICATIONS. HILLPHOENIX REFRIGERATED DISPLAY CASES FOR SALE IN THE UNITED STATES MEET OR EXCEED DEPARTMENT OF ENERGY 2017 REQUIREMENTS.

OIP 12' 1-2

Rev Date:	Rev #	Revision Description:
2/17/2017	1	DOE 2017



ALL MEASUREMENTS ARE TAKEN PER ASHRAE-72-2005 SPECIFICATIONS. HILLPHOENIX REFRIGERATED DISPLAY CASES FOR SALE IN THE UNITED STATES MEET OR EXCEED DEPARTMENT OF ENERGY 2017 REQUIREMENTS.

OIP 12' 2-2

Rev Date:	Rev #	Revision Description:
2/17/2017	1	DOE 2017