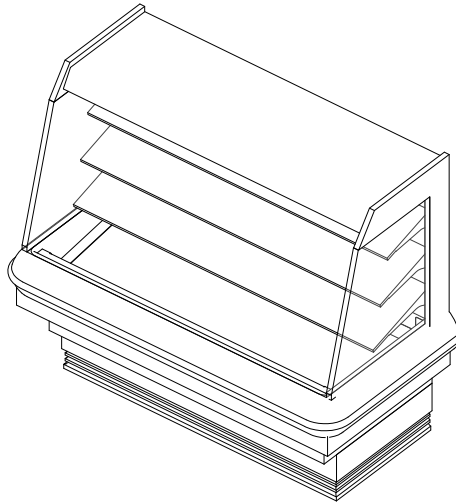


ON3.5EM-NRG

Narrow Multi-Deck Merchandiser with Synerg-E™
End Cap (Dairy/Deli/Meat/Produce)

GENERAL NOTES:

- "---" indicates that the feature is not an option for this case model and/or the data is not yet available.
- LED lights only.
- Maximum of 2 rows of standard output LED lighted shelves.
- 3rd row or nose lights are not available.



SHIPPING WEIGHT	
Case	Weight
ON3.5EM-NRG	---



COMPONENT

ALL MEASUREMENTS ARE TAKEN PER ASHRAE-72-2005 SPECIFICATIONS. HILLPHOENIX REFRIGERATED DISPLAY CASES FOR SALE IN THE UNITED STATES MEET OR EXCEED DEPARTMENT OF ENERGY 2017 REQUIREMENTS.

ON3.5EM-NRG

Rev Date:	Rev #	Revision Description:
9-10-18	3	DATA UPDATE
5-18-18	2	NEW STANDARDS

Hillphoenix
A DOVER COMPANY

ON3.5EM-NRG

Narrow Multi-Deck Merchandiser with Synerg-E™
End Cap (Dairy/Deli/Meat/Produce)

ELECTRICAL DATA				
Fans Per Case	High Efficiency Fans		Anti-Condensate Heaters	
	120 Volts		120 Volts	
	Amps	Watts	Amps	Watts
2	0.40	28.0	0.99	118.2

LIGHTING DATA					
Lights per row	Lights Length	Clearvoyant LED Lighting (Per Light Row)			
		Standard Power (Cornice or Shelf)		High Power (Cornice)	
		120 Volts		120 Volts	
		Amps	Watts	Amps	Watts
1	5'	0.06	7.5	0.15	18.5

GUIDELINES AND CONTROL SETTINGS							
Application	Front Sill Height	BTUH/ft		Superheat Set Point @ Bulb (°F)	Evaporator (°F)	Discharge Air (°F)	Discharge Air Velocity (FPM)
		Conventional	Parallel				
Dairy/Deli/Produce	All	5372	4589	6 - 8	28	31	150
Meat	Extended	5486	4686	6 - 8	26	30	150

DEFROST CONTROLS		
Defrosts Per Day	Timed-Off Defrost	
	Fail-Safe (Min)	Termination Temp (°F)
6	30	47

NOTES:

- Listed BTUH/ft data represent unlighted shelves. For LED lighting, add 9 BTUH/ft per row of lighted shelving.
- BTUH load increases by 123 BTUH/ft when aftermarket merchandising accessories are utilized.
- Listed evaporator temperature represents unlighted shelves. For lighted shelves and/or aftermarket merchandising accessories, reduce the listed evaporator temperature by 2°F.
- Conventional Discharge Air Control - Recommended Settings: Cut-in Temp + Discharge Air + 2°F; Cut-Out Temp = Discharge Air - 2°F.
- Listed discharge air velocity represents the average velocity immediately after defrost.
- Temperature and defrost settings listed above are recommended start-up settings. Final operational settings may need to be adjusted for the store conditions in which the case operates.
- The recommended evaporator temperatures may need to be adjusted based on system setup, store conditions, etc. The minimum recommended evaporator temperature is 4°F below the listed evaporator temperature.
- Time off defrost is recommended for medium temperature applications.



ON3.5EM-NRG

ALL MEASUREMENTS ARE TAKEN PER ASHRAE-72-2005 SPECIFICATIONS. HILLPHOENIX REFRIGERATED DISPLAY CASES FOR SALE IN THE UNITED STATES MEET OR EXCEED DEPARTMENT OF ENERGY 2017 REQUIREMENTS.

Rev Date:	Rev #	Revision Description:
9-10-18	3	DATA UPDATE
5-18-18	2	NEW STANDARDS



ON3.5EM-NRG

Narrow Multi-Deck Merchandiser with Synerg-E™
End Cap (Dairy/Deli/Meat/Produce)

SECOND NATURE DATA								
Case Model	No. of Coils	Application	Front Sill Type	BTUH/FT (DR)		GPM/ft (DR)	Supply Fluid Temp (°F)	Discharge Air Temp (°F)
				Conventional	Parallel			
ON3.5EM-NRG	1	Deli	Standard	5372	4589	1.31	20	31
ON3.5EM-NRG	1	Meat	2.5" Extended	5486	4686	1.61	20	30
ON3.5EM-NRG	1	Deli	Standard	5372	4589	3.37	25	31
ON3.5EM-NRG	1	Meat	2.5" Extended	5486	4686	4.82	25	30

SECOND NATURE DATA								
Case Model	No. of Coils	Application	Front Sill Type	No. of Defrost	Timed-Off Defrost		Warm Fluid Defrost	
					Fail Safe (Min)	Termination Temp (°F)	Fail Safe (Min)	Termination Temp (°F)
ON3.5EM-NRG	1	Deli	Standard	6	60	47	26	49
ON3.5EM-NRG	1	Meat	2.5" Extended	6	60	47	26	49
ON3.5EM-NRG	1	Deli	Standard	6	45	47	26	49
ON3.5EM-NRG	1	Meat	2.5" Extended	6	45	47	26	49



COMPONENT

ALL MEASUREMENTS ARE TAKEN PER ASHRAE-72-2005 SPECIFICATIONS. HILLPHOENIX REFRIGERATED DISPLAY CASES FOR SALE IN THE UNITED STATES MEET OR EXCEED DEPARTMENT OF ENERGY 2017 REQUIREMENTS.

ON3.5EM-NRG

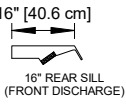
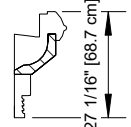
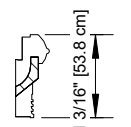
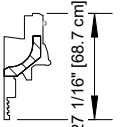
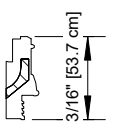
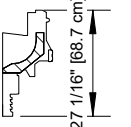
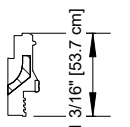

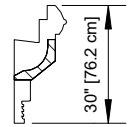
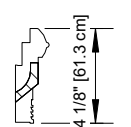
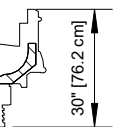
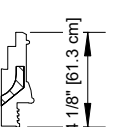
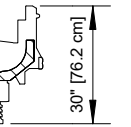
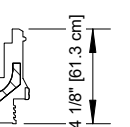
Rev Date:	Rev #	Revision Description:
9-10-18	3	DATA UPDATE
5-18-18	2	NEW STANDARDS



A DOVER COMPANY

ON3.5EM-NRG

Narrow Multi-Deck Merchandiser with Synerg-E™
End Cap (Dairy/Deli/Meat/Produce)

REAR SILL OPTIONS	FRONT OPTIONS					
	ORIGIN 2		CLASSIC 2 POLYMER		CLASSIC 2 METAL	
	<u>11"</u> BASEFRAME	<u>5"</u> BASEFRAME	<u>11"</u> BASEFRAME	<u>5"</u> BASEFRAME	<u>11"</u> BASEFRAME	<u>5"</u> BASEFRAME
 <p>16" [40.6 cm] 16" REAR SILL (FRONT DISCHARGE)</p>	 <p>27 1/16" [68.7 cm] STANDARD FRONT</p>	 <p>21 3/16" [53.8 cm] STANDARD FRONT</p>	 <p>27 1/16" [68.7 cm] STANDARD FRONT</p>	 <p>21 3/16" [53.7 cm] STANDARD FRONT</p>	 <p>27 1/16" [68.7 cm] STANDARD FRONT</p>	 <p>21 3/16" [53.7 cm] STANDARD FRONT</p>
 <p>20 1/8" [51.0 cm] 20" REAR SILL (FRONT DISCHARGE)</p>	 <p>30" [76.2 cm] EXTENDED STANDARD FRONT</p>	 <p>24 1/8" [61.3 cm] EXTENDED STANDARD FRONT</p>	 <p>30" [76.2 cm] EXTENDED STANDARD FRONT</p>	 <p>24 1/8" [61.3 cm] EXTENDED STANDARD FRONT</p>	 <p>30" [76.2 cm] EXTENDED STANDARD FRONT</p>	 <p>24 1/8" [61.3 cm] EXTENDED STANDARD FRONT</p>

NOTES:

- Extended front sills are required to meat applications to maintain proper product temperature. An extended front has a minimum height of 24" on a 5" baseframe, or 30" on an 11" baseframe.



ON3.5EM-NRG

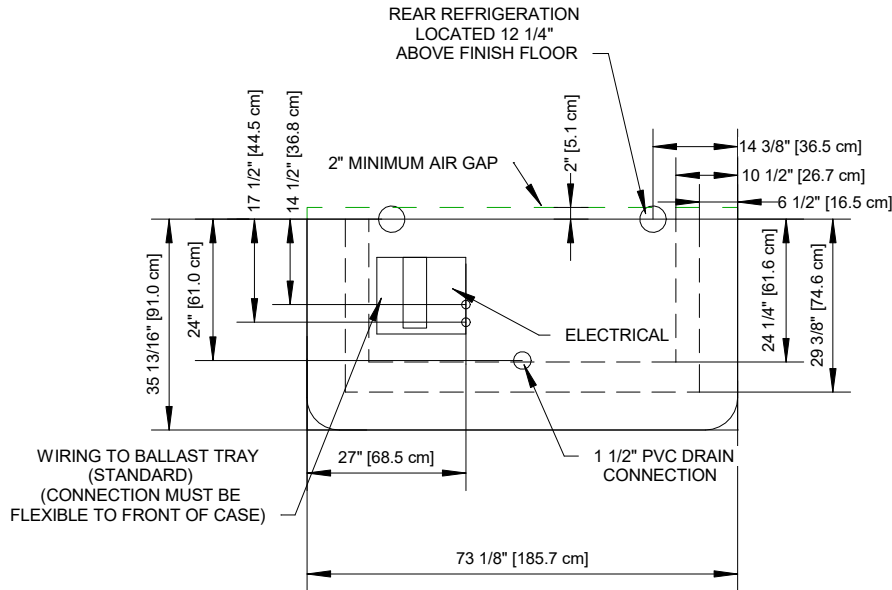
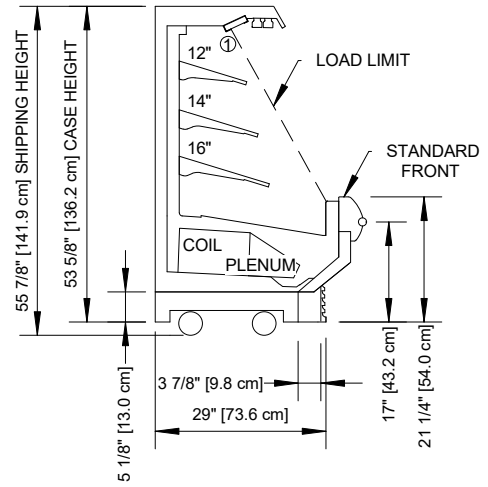
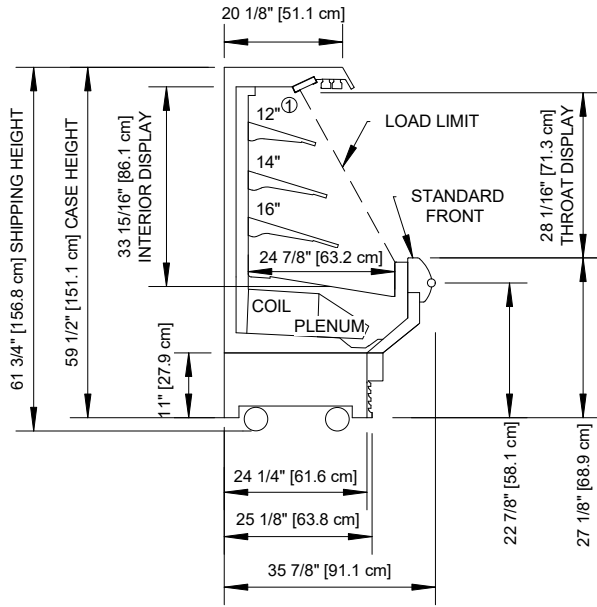
ALL MEASUREMENTS ARE TAKEN PER ASHRAE-72-2005 SPECIFICATIONS. HILLPHOENIX REFRIGERATED DISPLAY CASES FOR SALE IN THE UNITED STATES MEET OR EXCEED DEPARTMENT OF ENERGY 2017 REQUIREMENTS.

Rev Date:	Rev #	Revision Description:
9-10-18	3	DATA UPDATE
5-18-18	2	NEW STANDARDS



ON3.5EM-NRG

Narrow Multi-Deck Merchandiser with Synerg-E™
End Cap (Dairy/Deli/Meat/Produce)



NOTES:

- * : STUB-UP AREA
- ** : RECOMMENDED STUB-UP CENTERLINE FOR ELECTRICAL AND HUB DRAINS
- ① : AVAILABLE SHELF SIZES: 10", 12", 14" & 16"

• Ends add approximately 1" to case height



ON3.5EM-NRG

ALL MEASUREMENTS ARE TAKEN PER ASHRAE-72-2005 SPECIFICATIONS. HILLPHOENIX REFRIGERATED DISPLAY CASES FOR SALE IN THE UNITED STATES MEET OR EXCEED DEPARTMENT OF ENERGY 2017 REQUIREMENTS.

Rev Date:	Rev #	Revision Description:
9-10-18	3	DATA UPDATE
5-18-18	2	NEW STANDARDS

