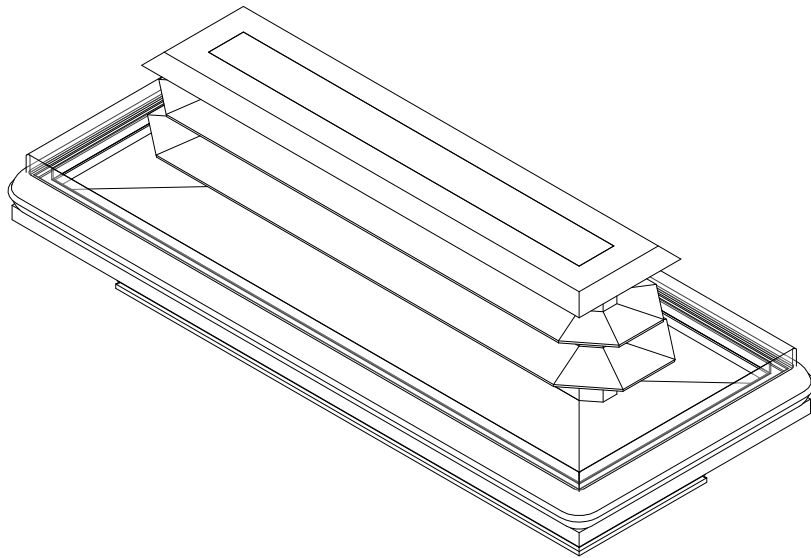


GENERAL NOTES

- "---" indicates the feature is not an option for this case model and/or the data is not yet available.
- LED lights only.
- Conice lights are either standard or high output.
- Shelf lights are standard output only.



SHIPPING WEIGHT	
Case	Weight
ON3IM	---



ALL MEASUREMENTS ARE TAKEN PER ASHRAE-72-2005 SPECIFICATIONS. HILLPHOENIX REFRIGERATED DISPLAY CASES FOR SALE IN THE UNITED STATES MEET OR EXCEED DEPARTMENT OF ENERGY 2017 REQUIREMENTS.

ON3IM

Rev Date:	Rev #	Revision Description:
7-27-18	2	NEW STANDARDS
12-1-17	1	DOE 2017

ELECTRICAL DATA									
Case Length	Fans Per Case	High Efficiency Fans		Anti-Condensate Heaters		Defrost Heaters			
		120 Volts		120 Volts		208 Volts		240 Volts	
		Amps	Watts	Amps	Watts	Amps	Watts	Amps	Watts
8'	6	0.46	27.6	0.67	80.0	7.70	1600	8.88	2130
12'	8	0.62	36.8	1.06	127.0	11.54	2400	13.32	3200

LIGHTING DATA								
Case Length	Shelf Depth	Lights Per Row	Light Length	Clearvoyant v4 LED Lighting (Per Light Row)				
				Standard Power (Cornice Or Shelf)		High Power (Cornice)		
				120 Volts		120 Volts		
				Amps	Watts	Amps	Watts	
8'	Top Sill	4	2 (2ft), 2 (4ft)	0.15	17.9	0.38	45.4	
8'	8"	4	2 (0.5ft), 2 (3ft)	0.10	11.5	---	---	
8'	10",12",14",16"	4	2 (0.5ft), 2 (3ft)	0.10	11.5	---	---	
12'	Top Sill	6	2 (2ft), 4 (4ft)	0.25	29.6	0.63	75.3	
12'	8"	6	2 (0.5ft), 4 (3ft)	0.17	20.9	---	---	
12'	10",12",14",16"	6	2 (0.5ft), 4 (3ft)	0.17	20.9	---	---	

GUIDLINES AND CONTROL SETTINGS						
Application	BTUH/ft		Super Heat Set Point @ Bulb (°F)	Evaporator (°F)	Discharge Air (°F)	Discharge Air Velocity (FPM)
	Conventional	Parallel				
Meat	1306	1179	6 - 8	17	26	270
Deli	1191	1075	6 - 8	22	30	270

DEFROST CONTROLS							
Defrosts Per Day	Run-Off Time (Min)	Electric Defrost		Timed-Off Defrost		Hot Gas Defrost	
		Fail-Safe (Min)	Termination Temp (°F)	Fail-Safe (Min)	Termination Temp (°F)	Fail-Safe (Min)	Termination Temp (°F)
4	6 - 8	30	47	45	45	26	45

NOTES

- "----" indicates the feature is not an option for this case model and/or the data is not yet available.
- Listed LED lighting values represent a full row of shelves (including wrap-around ends).
- Listed BTUH/ft data represent unlighted shelves. For LED lighting, add 9 BTUH/ft per row of lighted shelving.
- Load data represents the sum of both coils.
- Listed evaporator temperature represents unlighted shelves. For lighted shelves and/or aftermarket merchandising accessories, reduce the listed evaporator temperature by 2°F.
- BTUH load increases by 132 BTUH/ft when aftermarket merchandising accessories are utilized.
- Listed discharge air velocity represents the average velocity at the peak of defrost.
- Temperature and defrost settings listed below are recommended start-up settings. Final operational settings may need to be adjusted for the store conditions in which the case operates.
- The recommended evaporator temperatures may need to be adjusted based on system setup, store conditions, etc. The minimum recommended evaporator temperature is 4°F below the listed evaporator temperature.



ON3IM

ALL MEASUREMENTS ARE TAKEN PER ASHRAE-72-2005 SPECIFICATIONS. HILLPHOENIX REFRIGERATED DISPLAY CASES FOR SALE IN THE UNITED STATES MEET OR EXCEED DEPARTMENT OF ENERGY 2017 REQUIREMENTS.

Rev Date:	Rev #	Revision Description:
7-27-18	2	NEW STANDARDS
12-1-17	1	DOE 2017

SECOND NATURE DATA								
Case Model	No. Of Coils	Application	Front Sill Type	BTUH/ft (DR)		GPM/ft (DR)	Supply Fluid Temp (°F)	Discharge Air Temp (°F)
				Conventional	Parallel			
ON3IM	2	Deli	4" Plexiglass	1191	1075	0.67	20	30
ON3IM	2	Meat	4" Plexiglass	1306	1179	0.73	20	26

SECOND NATURE DATA								
Case Model	No. of Coils	Application	Front Sill Type	No. of Defrosts	Timed Off Defrost		Warm Fluid Defrost	
					Fail-Safe (Min)	Termination Temp (°F)	Fail-Safe (Min)	Termination Temp (°F)
ON3IM	2	Deli	4" Plexiglass	4	60	47	26	49
ON3IM	2	Meat	4" Plexiglass	4	60	47	26	49

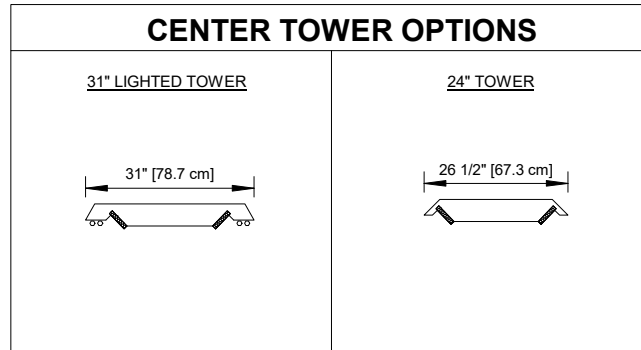


ON3IM

ALL MEASUREMENTS ARE TAKEN PER ASHRAE-72-2005 SPECIFICATIONS. HILLPHOENIX REFRIGERATED DISPLAY CASES FOR SALE IN THE UNITED STATES MEET OR EXCEED DEPARTMENT OF ENERGY 2017 REQUIREMENTS.

Rev Date:	Rev #	Revision Description:
7-27-18	2	NEW STANDARDS
12-1-17	1	DOE 2017

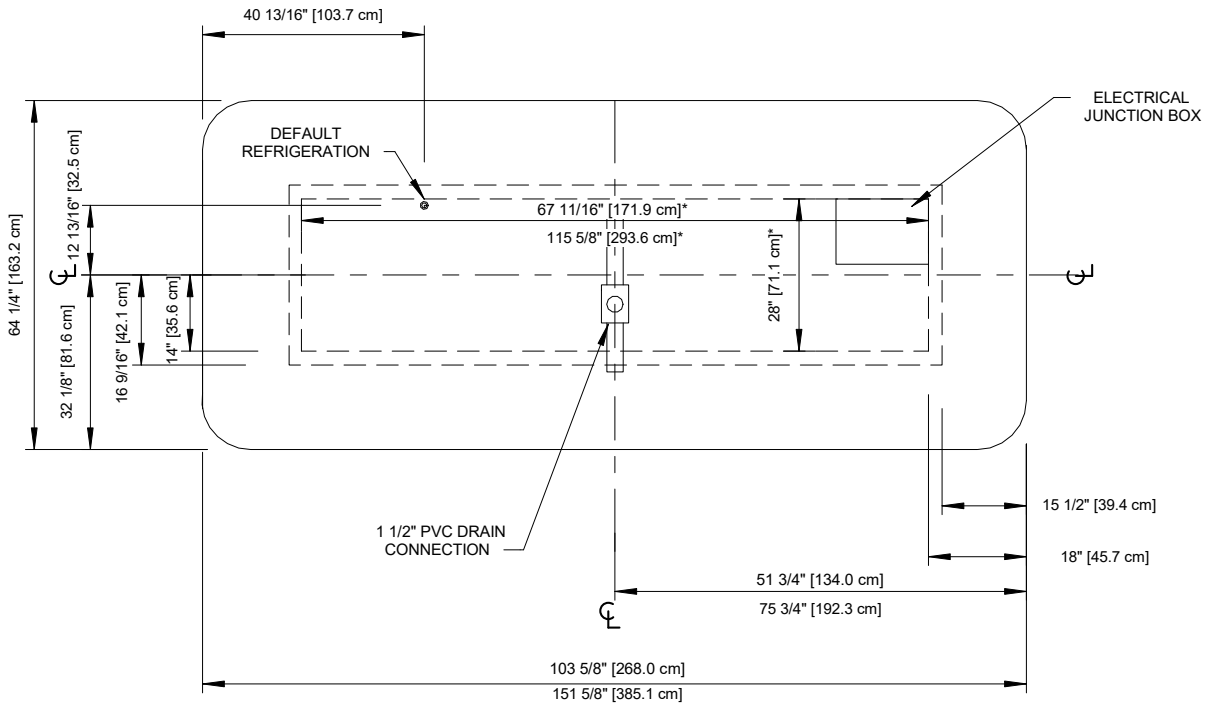
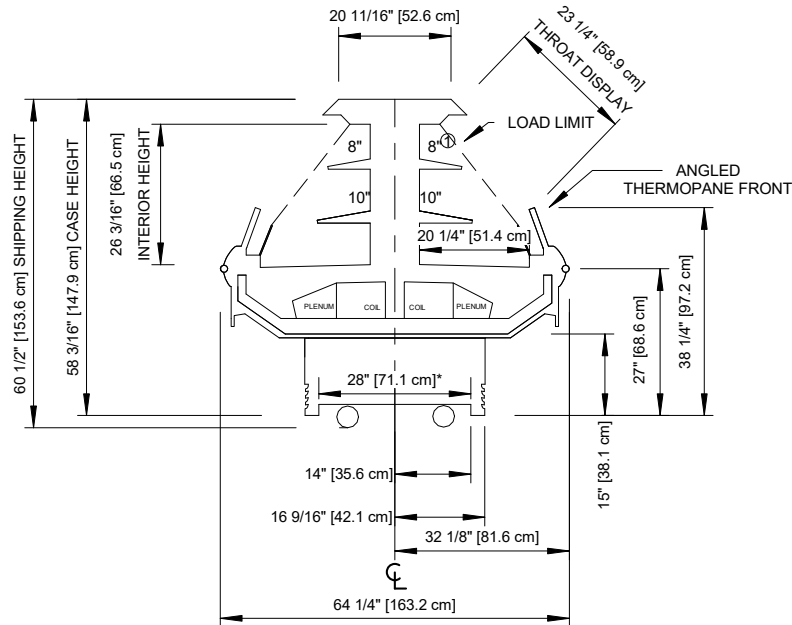




ALL MEASUREMENTS ARE TAKEN PER ASHRAE-72-2005 SPECIFICATIONS. HILLPHOENIX REFRIGERATED DISPLAY CASES FOR SALE IN THE UNITED STATES MEET OR EXCEED DEPARTMENT OF ENERGY 2017 REQUIREMENTS.

ON3IM

Rev Date:	Rev #	Revision Description:
7-27-18	2	NEW STANDARDS
12-1-17	1	DOE 2017



ALL MEASUREMENTS ARE TAKEN PER ASHRAE-72-2005 SPECIFICATIONS. HILLPHOENIX REFRIGERATED DISPLAY CASES FOR SALE IN THE UNITED STATES MEET OR EXCEED DEPARTMENT OF ENERGY 2017 REQUIREMENTS.

ON3IM

Rev Date:	Rev #	Revision Description:
7-27-18	2	NEW STANDARDS
12-1-17	1	DOE 2017

