

## REFERENCE NOTES FOR ENGINEERING DATA

- "0.00" indicates that data is not available yet
- LED lights only
- Maximum of 4 rows of Standard Output LED lighted shelves.
- 3rd row or nose lights are not available.
- Temperature and defrost settings listed below are recommended start-up settings. Final operational settings may need to be adjusted for the store conditions in which the case operates.
- 2 rows of standard or 1 row of cornice High Output LED lighted shelves.

## REFERENCE NOTES FOR CROSS SECTIONS

- Front sill height and overall case height vary with base frame height
- A 2" Minimum air gap is required between the rear of the case and a wall
- Available shelf sizes: 10", 12", 14", 16", 18", 20", 22" & 24"
- Dashed line signify area inside base rail behind kick plate
- Casters add approximately 2 1/4" to case height
- All measurements are taken per ASHRAE-72-2005 specifications. Hillphoenix refrigerated display cases for sale in the United States meet or exceed department of energy 2017 efficiency requirements.



COMPONENT

ALL MEASUREMENTS ARE TAKEN PER ASHRAE-72-2005 SPECIFICATIONS. HILLPHOENIX REFRIGERATED DISPLAY CASES FOR SALE IN THE UNITED STATES MEET OR EXCEED DEPARTMENT OF ENERGY 2017 REQUIREMENTS.

## ON5DMXA-NRG

Rev Date:	Rev #	Revision Description:
10-13-17	1	DOE APPROVED

# ON5DMXA-NRG

Narrow Self-Contained Multi-Deck Merchandiser  
6' & 8' (Dairy / Produce)

## SYSTEM REQUIREMENTS

Case Length	Volts	Phase	Frequency (Hz)	Wire	Minimum Circuit Ampacity	Maximum Overcurrent Protection
6'	208	1	60 Hz	3 wire + ground	25.06	35
8'	208	1	60 Hz	3 wire + ground	24.67	35

## ELECTRICAL DATA

Case Length	Fans Per Case	High Efficiency Fans		Drain Pump		Evaporator Pan Heater		Maximum Lights	
		120 Volts		120 Volts		120 Volts		120 Volts	
		Amps	Watts	Amps	Watts	Amps	Watts	Amps	Watts
6'	2	0.47	28	0.80	47	7.21	1500	0.84	100
8'	2	0.47	28	0.80	47	7.21	1500	1.20	144

## GUIDELINES AND CONTROL SETTINGS

Suction Pressure @ Case Outlet (psig)	Superheat Set Point @ Bulb (°F)	Discharge Air (°F)	Discharge Air Velocity (FPM)
58.00 psi	6-8 °F	31 °F	200 FPM

## CONDENSING UNIT DATA

Volts	Phase	Frequency (Hz)	Horsepower	Running Load Amps (RLA)	Locked Rotor Amps (LRA)	Refrigerant	Lbs. of Refrigerant
208	1	60 Hz	1-3/4	12.60	55.0	R404A	5
208	1	60 Hz	2	12.00	56.0	R404A	5.6

## DEFROST CONTROLS

Defrosts Per Day	Timed-Off Defrost	
	Fail-Safe (Min)	Termination Temp
6	45	42 °F



ALL MEASUREMENTS ARE TAKEN PER ASHRAE-72-2005 SPECIFICATIONS. HILLPHOENIX REFRIGERATED DISPLAY CASES FOR SALE IN THE UNITED STATES MEET OR EXCEED DEPARTMENT OF ENERGY 2017 REQUIREMENTS.

## ON5DMXA-NRG

Rev Date:	Rev #	Revision Description:
10-13-17	1	DOE APPROVED

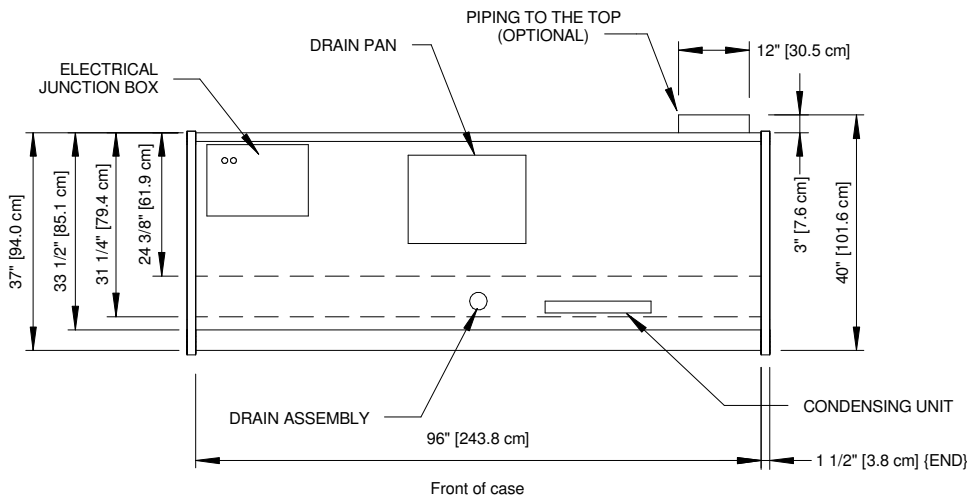
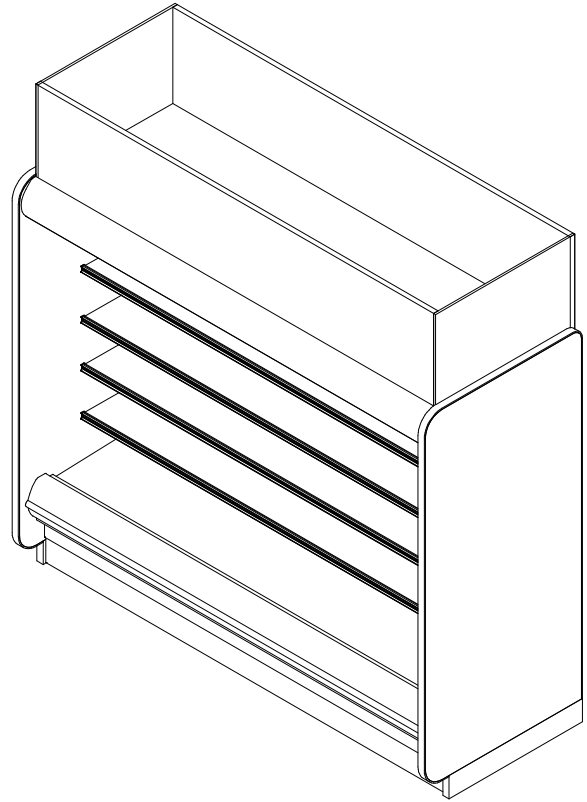
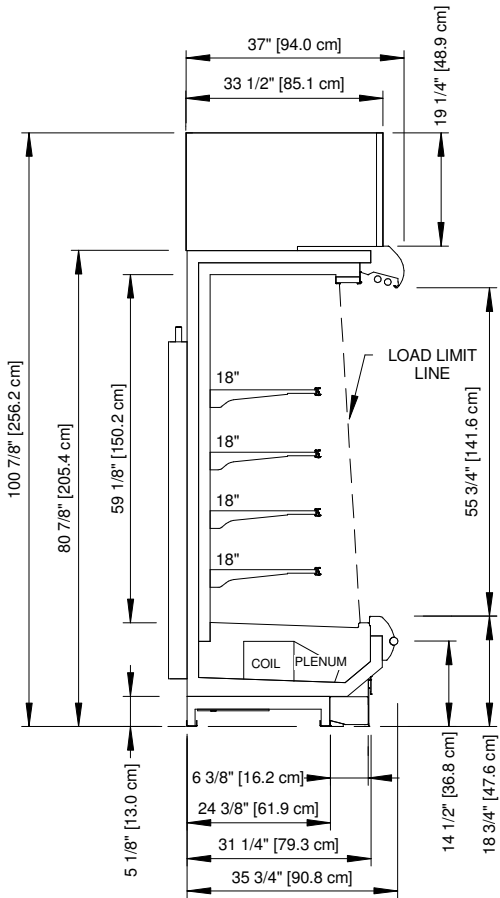


A DOVER COMPANY



# ON5DMXA-NRG

Narrow Self-Contained Multi-Deck Merchandiser  
6' & 8' (Dairy / Produce)



COMPONENT

ALL MEASUREMENTS ARE TAKEN PER ASHRAE-72-2005 SPECIFICATIONS. HILLPHOENIX REFRIGERATED DISPLAY CASES FOR SALE IN THE UNITED STATES MEET OR EXCEED DEPARTMENT OF ENERGY 2017 REQUIREMENTS.

## ON5DMXA-NRG 8'

Rev Date:	Rev #	Revision Description:
10-13-17	1	DOE APPROVED

