

ENGINEERING REFERENCE SHEET NOTE:

- "0.00" indicates the feature is not an option for this model
- BTUH/ft notes:
- Listed evaporator temperature represents unlighter shelves. For lighted shelves and/or aftermarket merchandising accessories, reduce the listed evaporator temperature by 2°F.
- BTUH load increases by 132 BTUH/ft when aftermarket merchandising accessories are utilized.
- Listed discharge air velocity represents the average velocity at the peak of defrost.
- Temperature and defrost settings listed above are recommended start-up settings. Final operational settings may need to be adjusted for the store conditions in which the case operates.
- The recommended evaporator temperatures may need to be adjusted based on system setup, store conditions, etc. The minimum recommended evaporator temperature is 4°F below the listed evaporator temperature.

REFERENCE NOTES FOR CROSS SECTIONS:

- * STUB UP AREA
- ** RECOMENDED STUB-UP CENTER LINE FOR ELECTRICAL AND HUB DRAINS
- Casters add approximately 2 1/4" to case height



ALL MEASUREMENTS ARE TAKEN PER ASHRAE-72-2005 SPECIFICATIONS. HILLPHOENIX REFRIGERATED DISPLAY CASES FOR SALE IN THE UNITED STATES MEET OR EXCEED DEPARTMENT OF ENERGY 2017 REQUIREMENTS.

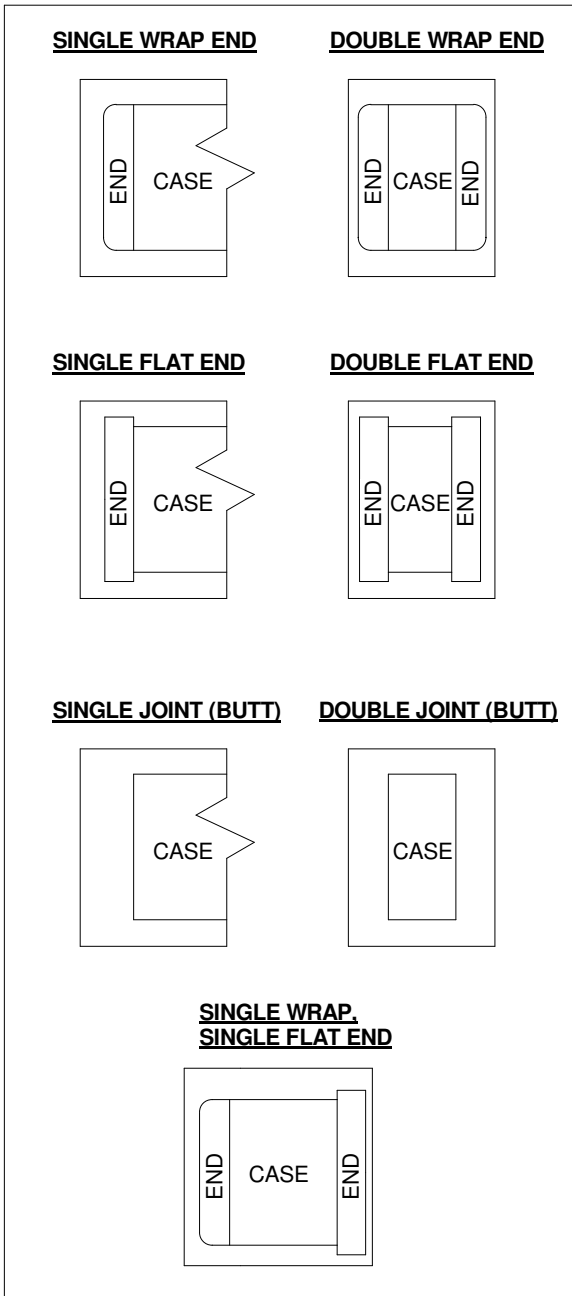
ONIZGG

Rev Date:	Rev #	Revision Description:
4/5/2017	1	DOE 2017

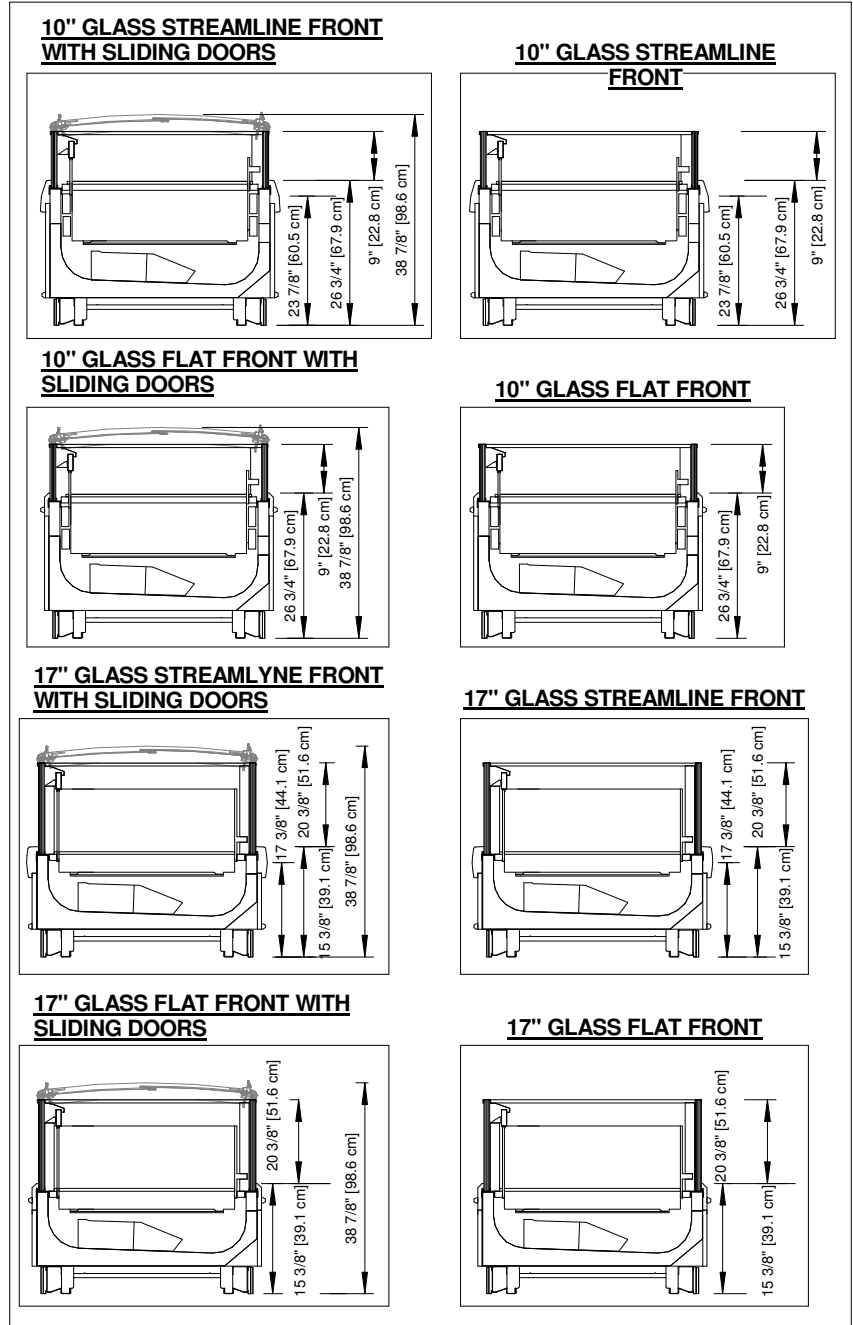


A DOVER COMPANY

CASE CONFIGURATIONS



GLASS FRONT OPTIONS



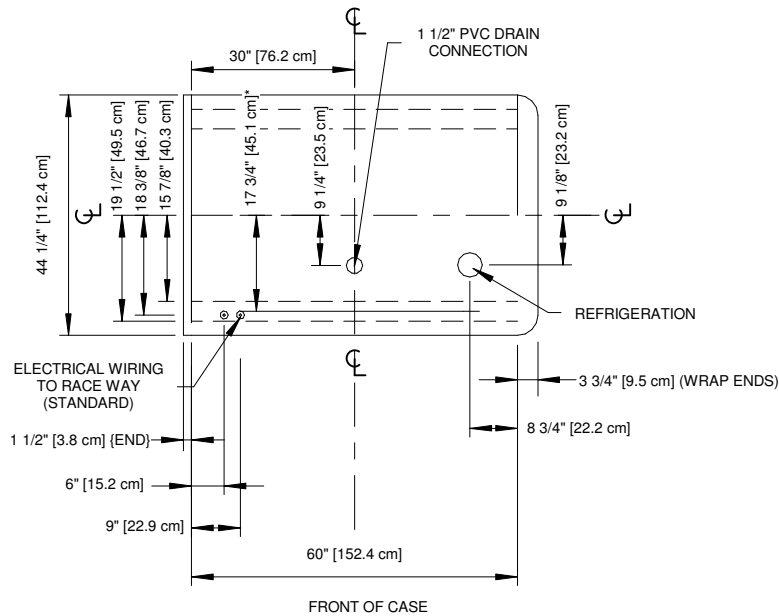
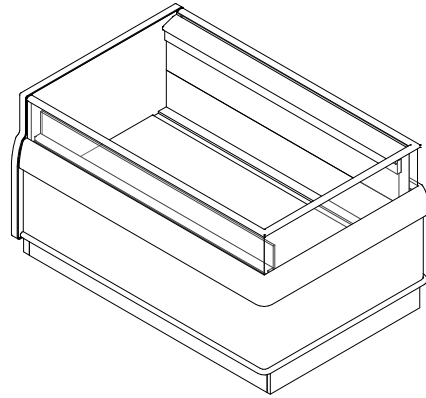
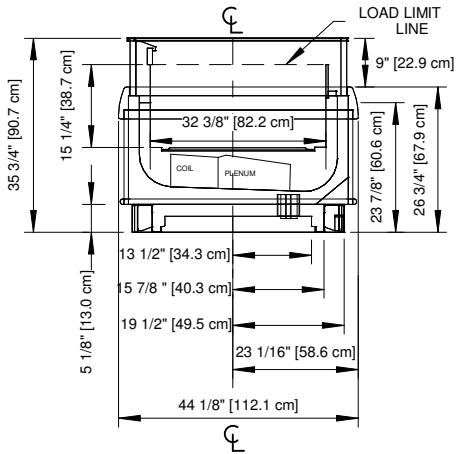
ALL MEASUREMENTS ARE TAKEN PER ASHRAE-72-2005 SPECIFICATIONS. HILLPHOENIX REFRIGERATED DISPLAY CASES FOR SALE IN THE UNITED STATES MEET OR EXCEED DEPARTMENT OF ENERGY 2017 REQUIREMENTS.

ONIZGG

Rev Date:	Rev #	Revision Description:
9-27-17	1	DOE 2017

Hillphoenix
A DOVER COMPANY

10 INCH GLASS

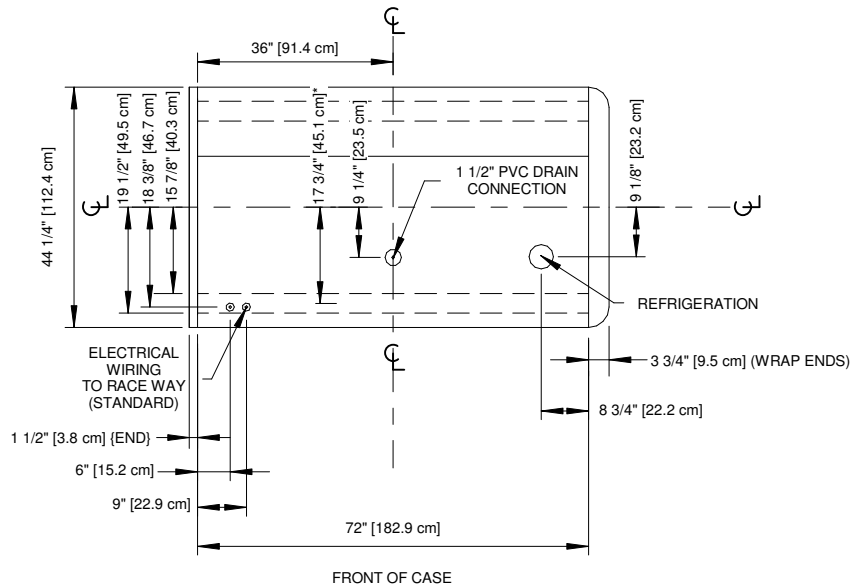
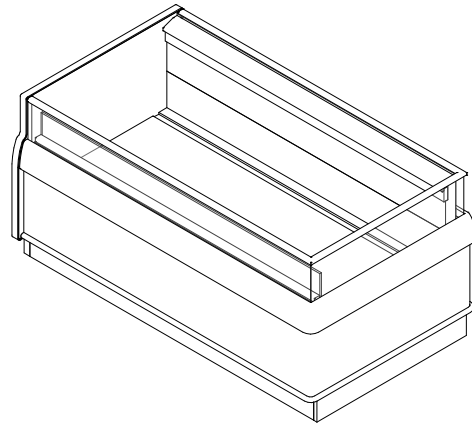
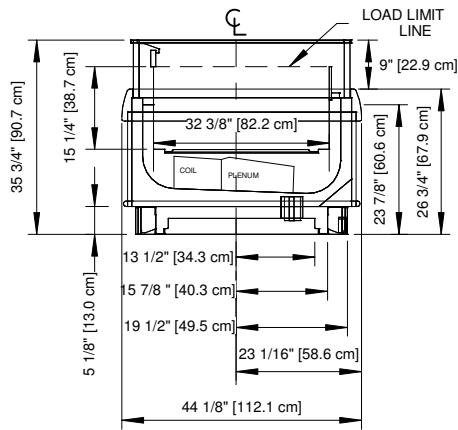


ALL MEASUREMENTS ARE TAKEN PER ASHRAE-72-2005 SPECIFICATIONS. HILLPHOENIX REFRIGERATED DISPLAY CASES FOR SALE IN THE UNITED STATES MEET OR EXCEED DEPARTMENT OF ENERGY 2017 REQUIREMENTS.

ONIZGG 5'

Rev Date:	Rev #	Revision Description:
4/5/2017	1	DOE 2017

10 INCH GLASS



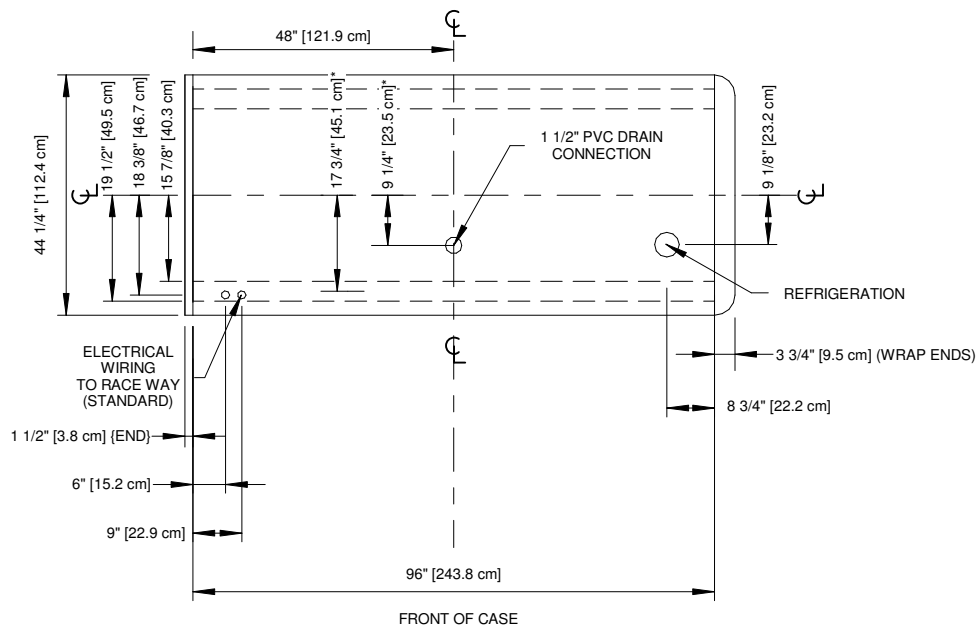
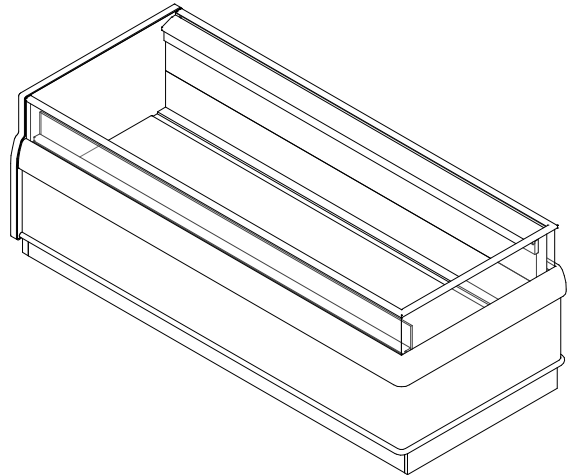
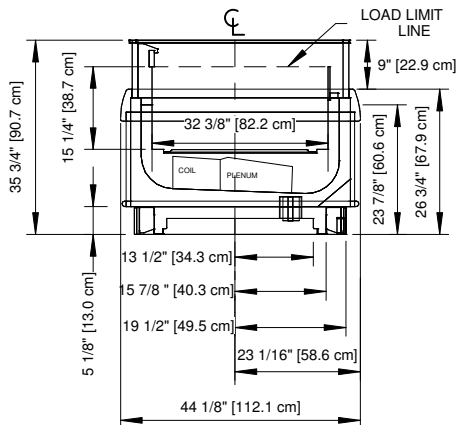
ALL MEASUREMENTS ARE TAKEN PER ASHRAE-72-2005 SPECIFICATIONS. HILLPHOENIX REFRIGERATED DISPLAY CASES FOR SALE IN THE UNITED STATES MEET OR EXCEED DEPARTMENT OF ENERGY 2017 REQUIREMENTS.

ONIZGG 6'

Rev Date:	Rev #	Revision Description:
4/5/2017	1	DOE 2017



10 INCH GLASS

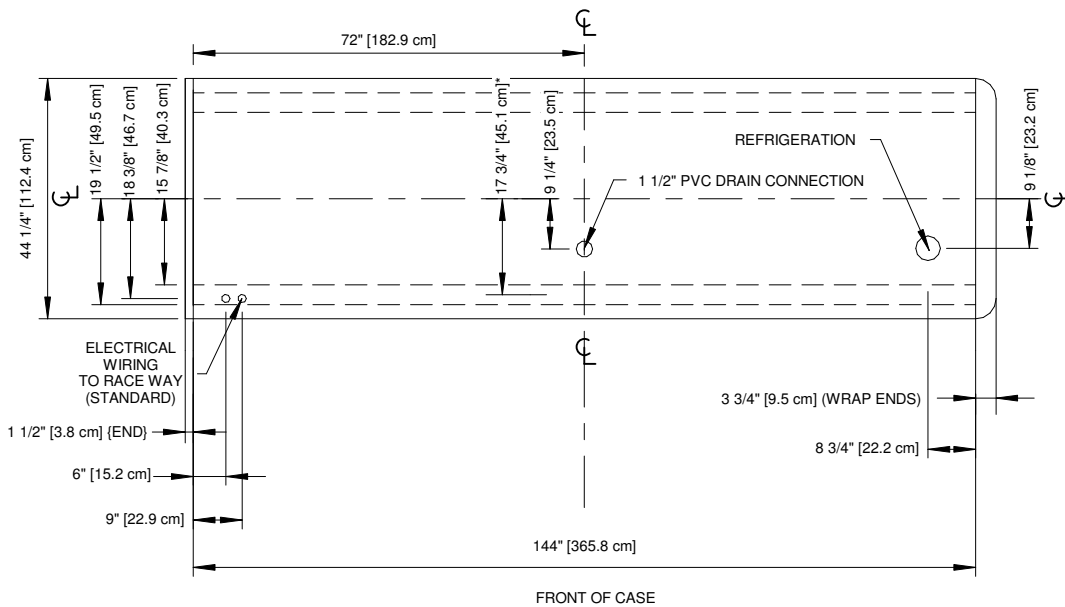
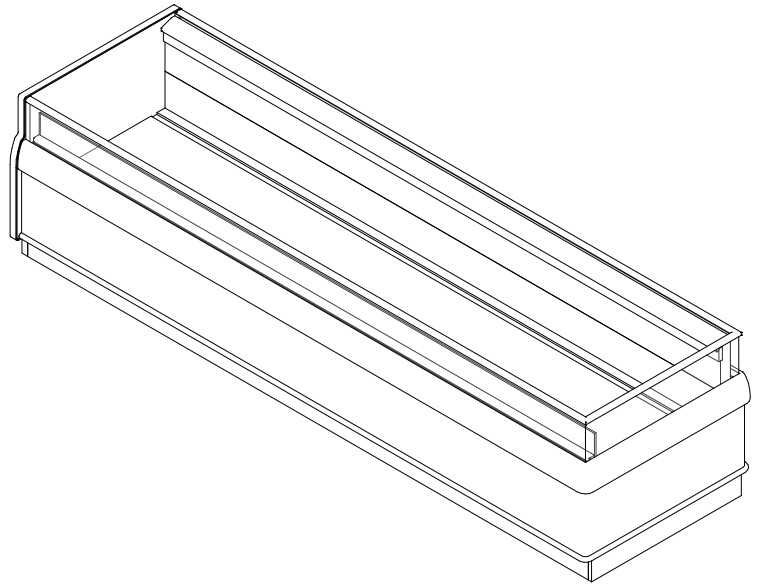
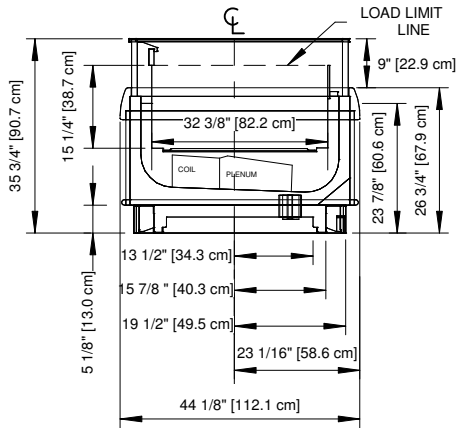


ALL MEASUREMENTS ARE TAKEN PER ASHRAE-72-2005 SPECIFICATIONS. HILLPHOENIX REFRIGERATED DISPLAY CASES FOR SALE IN THE UNITED STATES MEET OR EXCEED DEPARTMENT OF ENERGY 2017 REQUIREMENTS.

ONIZGG 8'

Rev Date:	Rev #	Revision Description:
4/5/2017	1	DOE 2017

10 INCH GLASS



ONIZGG 12'

ALL MEASUREMENTS ARE TAKEN PER ASHRAE-72-2005 SPECIFICATIONS. HILLPHOENIX REFRIGERATED DISPLAY CASES FOR SALE IN THE UNITED STATES MEET OR EXCEED DEPARTMENT OF ENERGY 2017 REQUIREMENTS.

Rev Date:	Rev #	Revision Description:
4/5/2017	1	DOE 2017