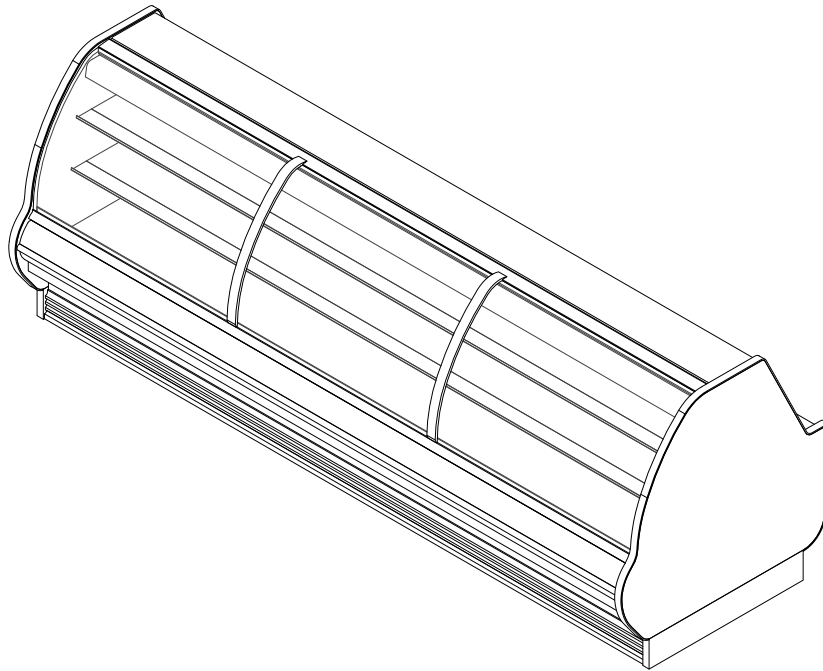


REFERENCE NOTES FOR ENGINEERING DATA:

- LED lights only.
- Listed BTUH/ft data represents unlighted shelves. For LED lighting, add 9 BTUH/ft per row of lighted shelving.
- BTUH/ft load increases by 132 BTUH/ft when aftermarket merchandising accessories are utilized.
- Listed evaporator temperature represents unlighted shelves. For lighted shelves and/or aftermarket merchandising accessories, reduce the listed evaporator temperature by 2°F.
- Listed discharge air velocity represents the average velocity at the peak of defrost.
- Temperature and defrost settings listed above are recommended start-up settings. Final operational settings may need to be adjusted for the store conditions in which the case operates.
- The recommended evaporator temperatures may need to be adjusted based on system setup, store conditions, etc. the minimum recommended evaporator temperature is 4°F below the listed evaporator temperature.

REFERENCE NOTES FOR CROSS SECTIONS:

- * : STUB-UP AREA
 - ** : RECOMMENDED STUB-UP CENTERLINE FOR ELECTRICAL AND HUB DRAINS
- ENDS ADD APPROXIMATELY 1" TO CASE HEIGHT
 SUCTION LINE - 7/8", LIQUID LINE - 1/2"
 AVAILABLE SHELF SIZES: 10" & 12"



COMPONENT

OSA

ALL MEASUREMENTS ARE TAKEN PER ASHRAE-72-2005 SPECIFICATIONS. HILLPHOENIX REFRIGERATED DISPLAY CASES FOR SALE IN THE UNITED STATES MEET OR EXCEED DEPARTMENT OF ENERGY EFFICIENCY REQUIREMENTS.

Rev Date:	Rev #	Revision Description:
3/20/2017	0	DOE 2017

Hillphoenix
A DOVER COMPANY

ELECTRICAL DATA					
Length	Fans Per Case	High Efficiency Fans		Anti-Condensate Heaters	
		120 Volts		120 Volts	
		Amps	Watts	Amps	Heaters Watts
4'	2	0.30	34	0.17	20
6'	2	0.30	34	0.42	50
8'	3	0.45	51	0.73	87
12'	4	0.60	68	1.10	132

LIGHTING DATA						
Length	Light Per Row	Light Length	Clearvoyant v4 LED Lighting (Per Light Row)			
			Standard Power		High Power	
			Cornice or Shelf		Cornice Only	
			120 Volts		120 Volts	
			Amps	Watts	Amps	Watts
4'	1	4	.05	5.9	.12	14.9
6'	2	3	.08	9.4	.20	23.8
8'	2	4	.10	11.8	.25	29.9
12'	3	4	.15	17.6	.37	44.8

GUIDELINES & CONTROL SETTINGS						
Application	BTUH/ft		Superheat Set Point @ Bulb (F)	Evaporator (F)	Discharge Air (F)	Discharge Air Velocity (FPM)
	Conventional	Parallel				
Deli	226	217	6-8	28	34	235

GUIDELINES & CONTROL SETTINGS - GLYCOL							
Application	BTUH/ft		Flow Rate GPM	Charge GAL/ft-Glycol	Supply Fluid	Discharge Air (F)	Discharge Air Velocity (FPM)
	Conventional	Parallel					
Deli	226	217	0.06	0.22	20 °F	34	235

DEFROST CONTROLS		
Timed Off Defrost		
Defrost Per Day	Fail-Safe (min)	Termination Temp. (F)
2	45	42



COMPONENT

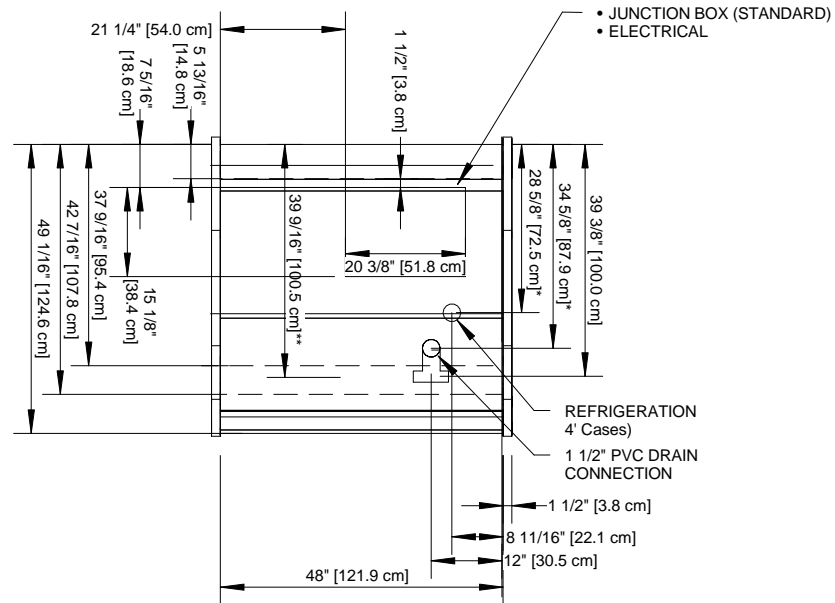
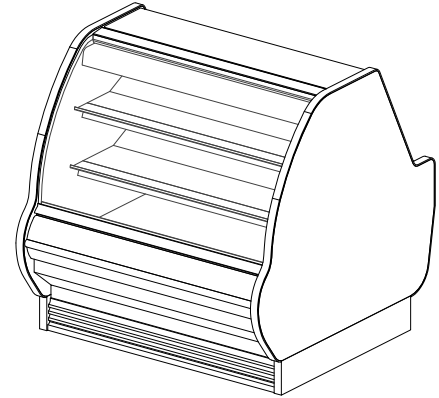
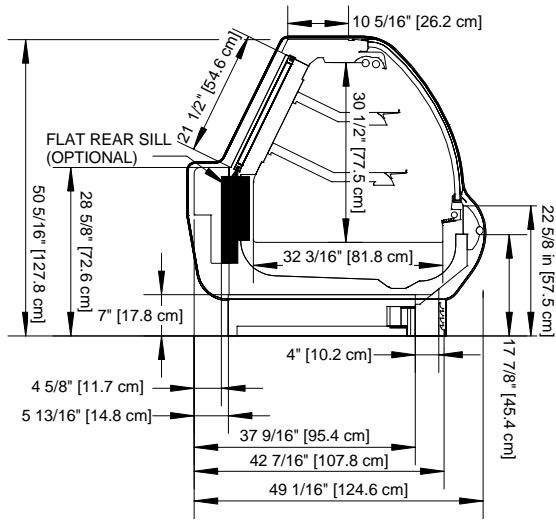
OSA

ALL MEASUREMENTS ARE TAKEN PER ASHRAE-72-2005 SPECIFICATIONS. HILLPHOENIX REFRIGERATED DISPLAY CASES FOR SALE IN THE UNITED STATES MEET OR EXCEED DEPARTMENT OF ENERGY EFFICIENCY REQUIREMENTS.

Rev Date:	Rev #	Revision Description:
3/20/2017	0	DOE 2017



A DOVER COMPANY

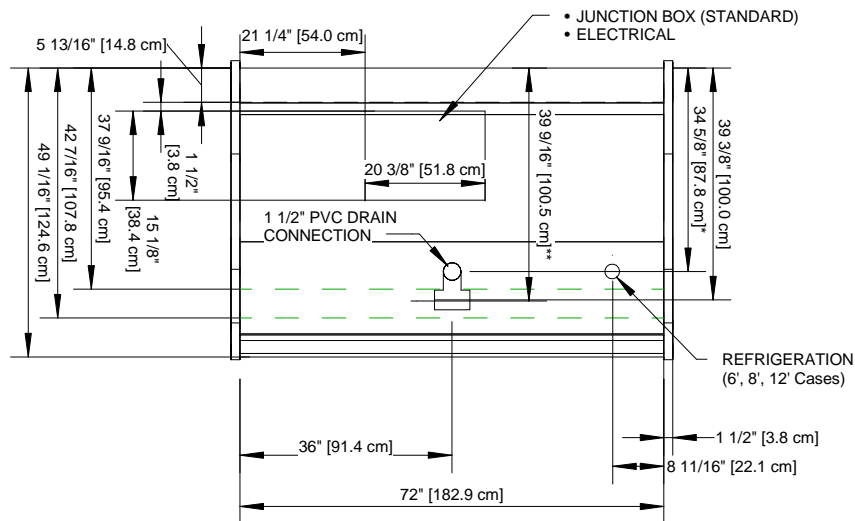
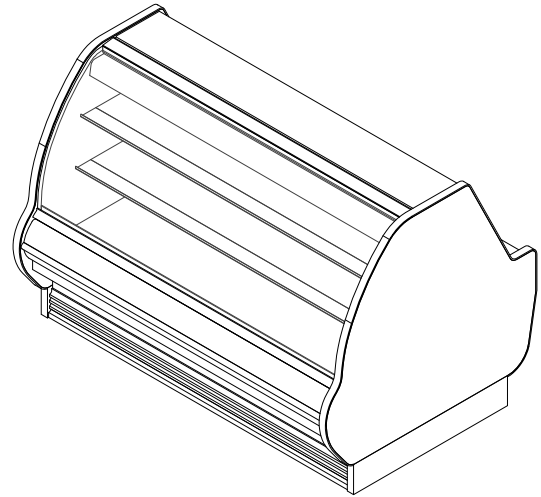
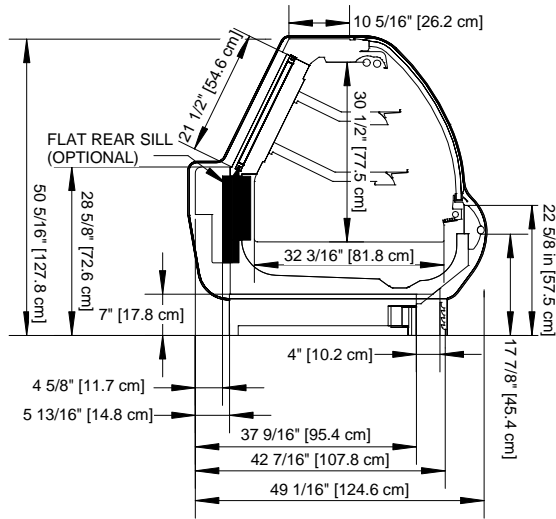


COMPONENT

ALL MEASUREMENTS ARE TAKEN PER ASHRAE-72-2005 SPECIFICATIONS. HILLPHOENIX REFRIGERATED DISPLAY CASES FOR SALE IN THE UNITED STATES MEET OR EXCEED DEPARTMENT OF ENERGY 2017 EFFICIENCY REQUIREMENTS.

OSA - 7BF - 4FT

Rev Date:	Rev #	Revision Description:
3/20/2017	0	DOE 2017



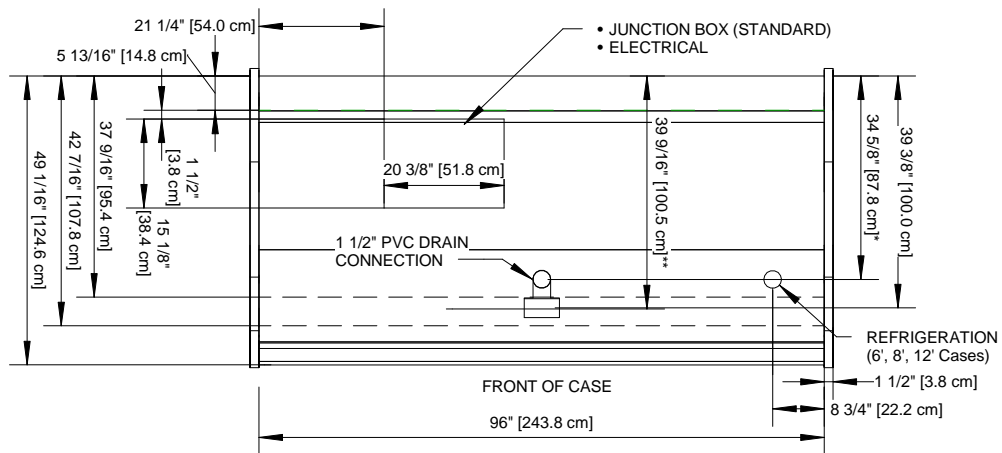
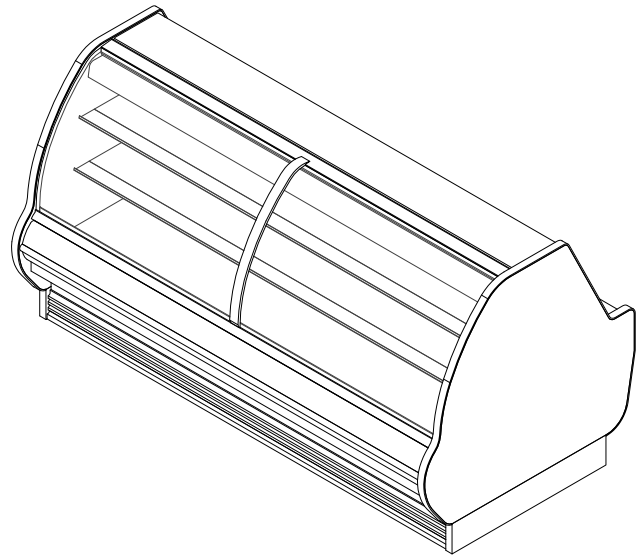
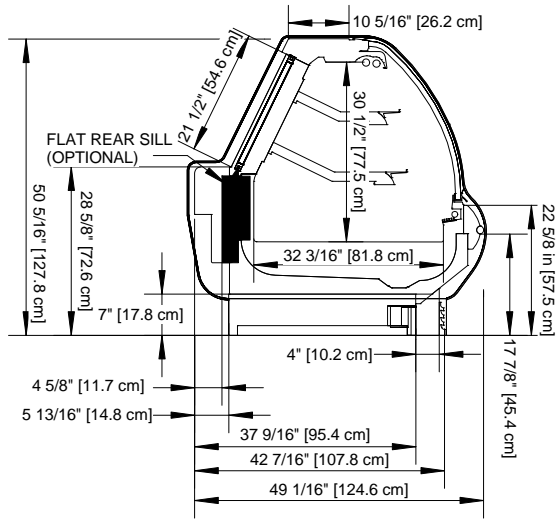
COMPONENT

ALL MEASUREMENTS ARE TAKEN PER ASHRAE-72-2005 SPECIFICATIONS. HILLPHOENIX REFRIGERATED DISPLAY CASES FOR SALE IN THE UNITED STATES MEET OR EXCEED DEPARTMENT OF ENERGY 2017 EFFICIENCY REQUIREMENTS.

OSA - 7BF - 6FT

Rev Date:	Rev #	Revision Description:
3/20/2017	0	DOE 2017



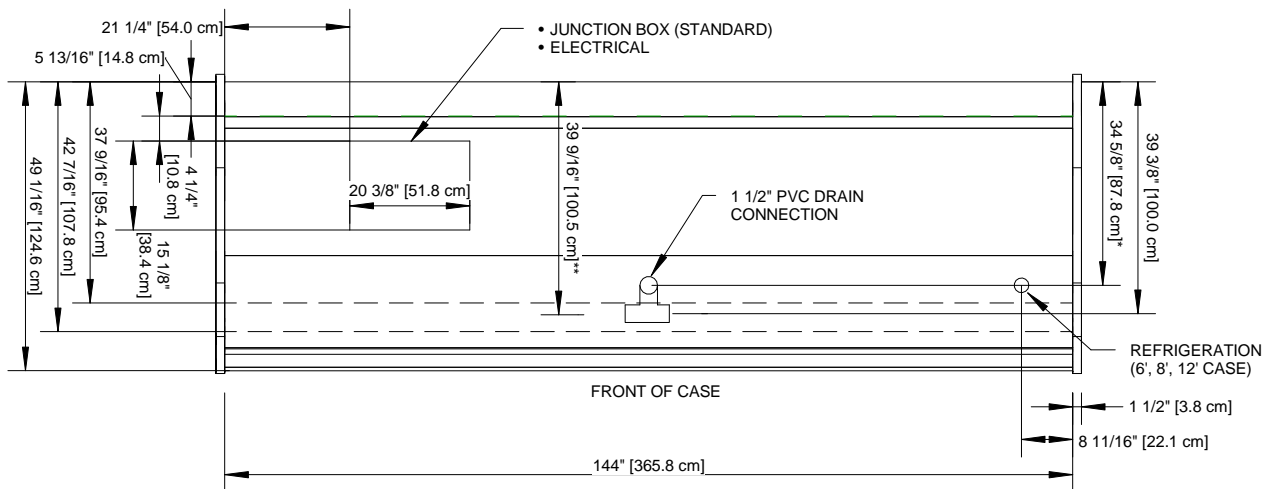
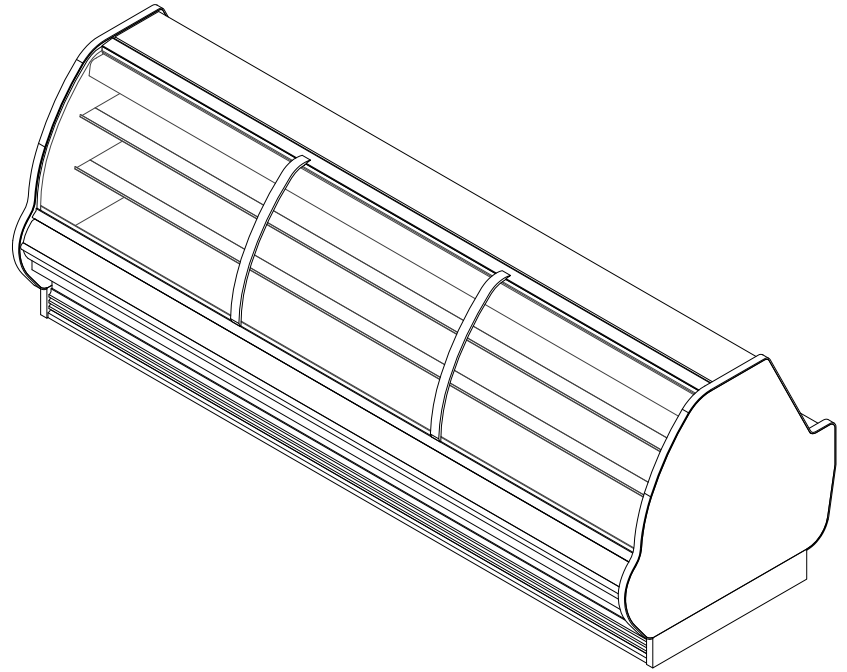
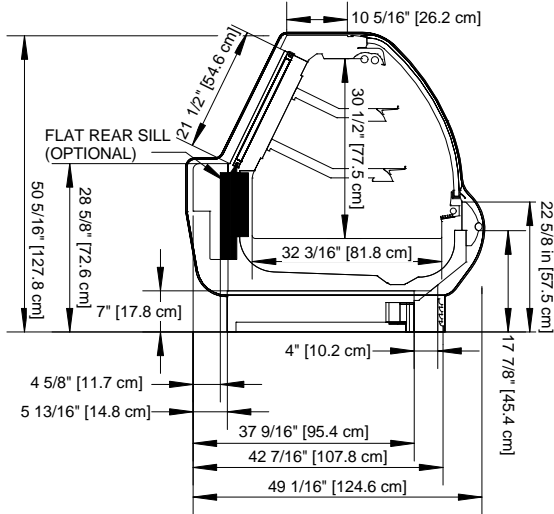


COMPONENT

ALL MEASUREMENTS ARE TAKEN PER ASHRAE-72-2005 SPECIFICATIONS. HILLPHOENIX REFRIGERATED DISPLAY CASES FOR SALE IN THE UNITED STATES MEET OR EXCEED DEPARTMENT OF ENERGY 2017 EFFICIENCY REQUIREMENTS.

OSA - 7BF - 8FT

Rev Date:	Rev #	Revision Description:
3/20/2017	0	DOE 2017



COMPONENT

ALL MEASUREMENTS ARE TAKEN PER ASHRAE-72-2005 SPECIFICATIONS. HILLPHOENIX REFRIGERATED DISPLAY CASES FOR SALE IN THE UNITED STATES MEET OR EXCEED DEPARTMENT OF ENERGY 2017 EFFICIENCY REQUIREMENTS.

OSA - 7BF - 12FT

Rev Date:	Rev #	Revision Description:
3/20/2017	0	DOE 2017