

Self-Service Open Multi-Deck Merchandiser

PF HOT - 4', 6', 8', 10' & 12'

Self-Service

Model		Top Heaters		Bottom Heaters		Lights		First Top Shelf		Second Top Shelf		Third Top Shelf	
		Qty	Watts (each)	Qty	Watts (each)	Qty	Watts (each)	Qty	Watts (each)	Qty	Watts (each)	Qty	Watts (each)
PFH	4'	2	295	2	600	--- ¹	---	1	590	1	816	1	806
	6'	2	515	3	600	---	---	2	515	2	598	2	598
	8'	4	295	4	600	---	---	2	590	2	816	2	816
	10'	2	737	5	600	---	---	2	737	4	498	4	498
	12'	4	515	6	600	---	---	3	590	3	816	3	816

Self-Service Continued

Model		(51") Total Amps (208-3-60)			(54") Total Amps (208-3-60)		
		L1	L2	L3	L1	L2	L3
PFH	4'	11.42	10.19	9.68	12.25	12.5	12.51
	6'	16.1	18.53	14.34	12.21	20.41	19.34
	8'	21.0	20.93	20.52	24.92	28.77	24.12
	10'	31.25	32.0	30.87	31.25	32.0	30.87
	12'	42.75	38.4	38.25	42.75	38.4	38.25

Electrical Data

Model		Fans per Case	Control Fans	
			208 Volts	
			Amps	Watts
PFH	4'	1	0.06	14
	6'	1	0.06	14
	8'	2	0.12	28
	10'	3	0.18	42
	12'	3	0.18	42

Lighting Data

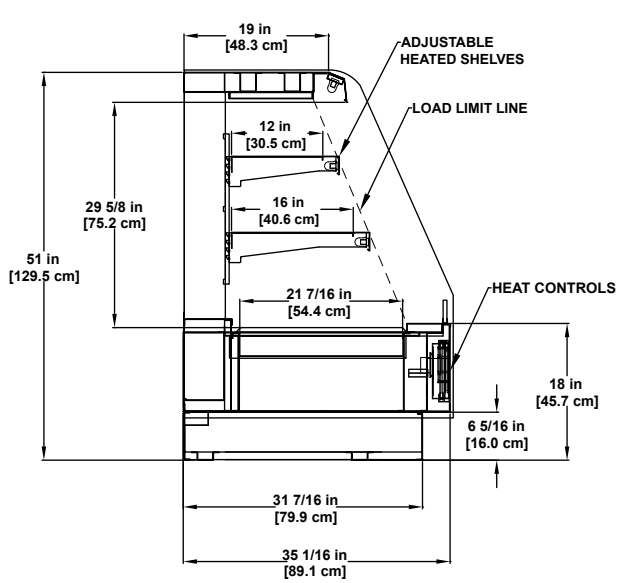
Model		Lights per Row	Light Length (ft)	Fluorescent Lighting (Per Light Row)	
				Amps	Watts
PFH	4'	1	3	0.09	18.72
	6'	2	2	0.12	24.99
	8'	2	3	0.18	37.44
	10'	2	4	0.23	47.84
	12'	3	3	0.27	54.0

1 NOTE: "---" indicates data not applicable.

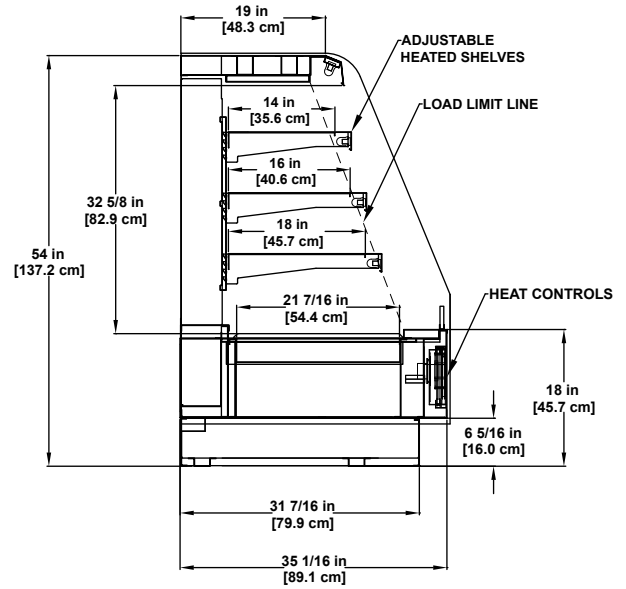
Engineered for stores with ambient conditions not to exceed 75° and 55% relative humidity.
 Due to engineering improvements specifications may change without notice.
 All measurements are taken per ASHRAE - 72 - 2005 specifications.
 Numbers are based on standard case sizes. Consult engineering.



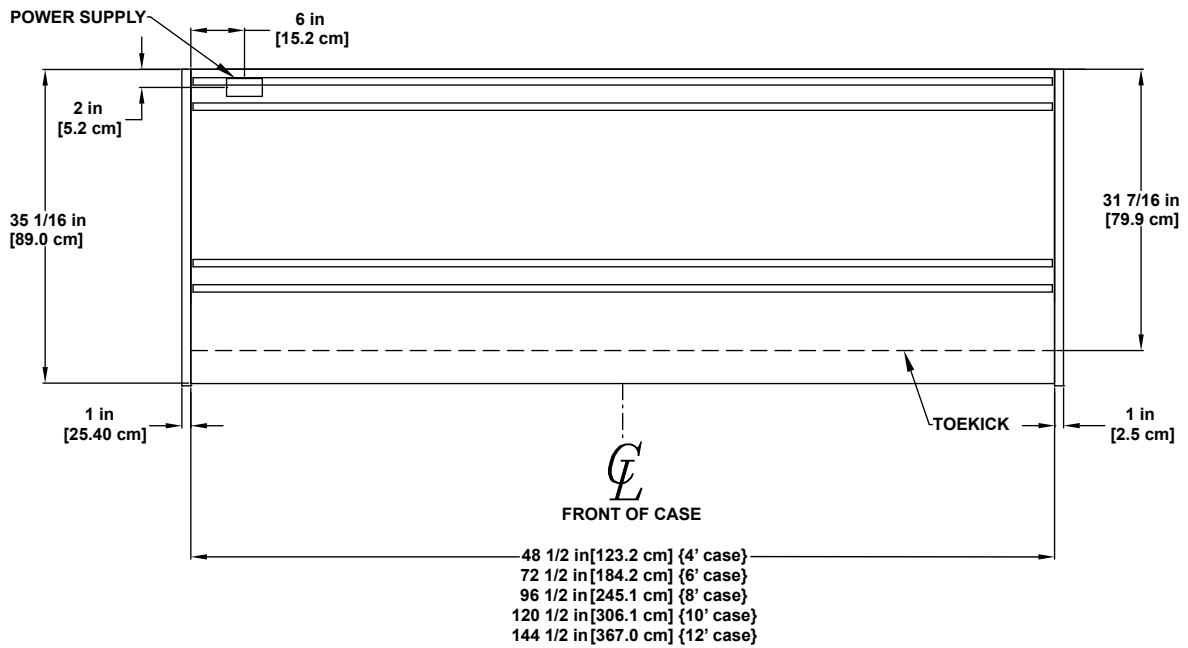
PF
(Hot)



51" PROFILE



54" PROFILE



SELF-SERVICE
MULTI-DECK
Deli