

# Self-Service Open Multi-Deck Merchandiser

## PF 72" SELF-CONTAINED - 4' & 6'

### System Requirements

Model		Volts	Phase	Total Amps	Minimum Circuit Ampacity	Maximum Overcurrent Protection
PF	4'	120	1	20.95	26.18	47
	6'	120/208	1	15.5	18.81	34

### Electrical Data

Model		Fans per Case	High Efficiency Fans		Anti-Condensate Heaters		Drain Pumps		Evaporator Pan Heaters			Auxiliary Fans	
			120 Volts		120 Volts		120 Volts					120 Volts	
			Amps	Watts	Amps	Watts	Amps	Watts	Volts	Amps	Watts	Amps	Watts
PF	4'	2	0.6	72	0.3	36	---	---	120	8.3	996	---	---
	6'	3	0.9	108	0.3	36	---	---	208	4.8	998	0.3	36

### Lighting Data

Model		Lights per Row	Light Length (ft)	Clearvoyant 4 LED Lighting (Per Light Row)			
				Standard Power (Cornice or Shelf)		High Power (Cornice)	
				120 Volts		120 Volts	
				Amps	Watts	Amps	Watts
PF	4'	1	4	0.05	5.9	0.12	14.9
	6'	2	3	0.08	9.4	0.20	23.8

### Guidelines & Control Settings

Model	24hr Energy Usage (kWh/ft)	Suction Temperature @ Case Outlet (°F)	Superheat Set Point @ Bulb (°F)	Discharge Air (°F)	Discharge Air <sup>2</sup> Velocity (FPM)
PF	---	+20	8-10	28	350

### Condensing Unit Data

Model		Volts	Phase	HP	RLA <sup>3</sup> (amps)	LRA <sup>4</sup> (amps)	Refrig.	Condenser Fans		Lbs. of Refrig.
								Amps	Watts	
PF	4'	120	1	3/4	9	70	404a	1.7	204	4.4
	6'	208	1	1.5	6.2	40	404a	0.85	177	4.4

### Defrost Controls

Model	Defrosts per Day	Run-Off Time (min)	Electric Defrost		Timed-Off Defrost		Hot Gas Defrost	
			Fail-Safe (min)	Termination Temp(°F)	Fail-Safe (min)	Termination Temp (°F)	Fail-Safe (min)	Termination Temp (°F)
PF	4	30	---	---	---	---	---	---

1 NOTE: "---" indicates data not applicable.

2 Average discharge air velocity at peak of defrost.

3 RLA - Running Load Amps

4 LRA - Locked Rotor Amps

Engineered for stores with ambient conditions not to exceed 75° and 55% relative humidity.

Due to engineering improvements specifications may change without notice.

All measurements are taken per ASHRAE - 72 - 2005 specifications.

Hillphoenix refrigerated display cases for sale in the United States meet or exceed department of energy 2017 efficiency requirements.

Numbers are based on standard case sizes. Consult engineering.

2017  
**DOE**  
COMPLIANT

Clearvoyant™  
LED SYSTEM

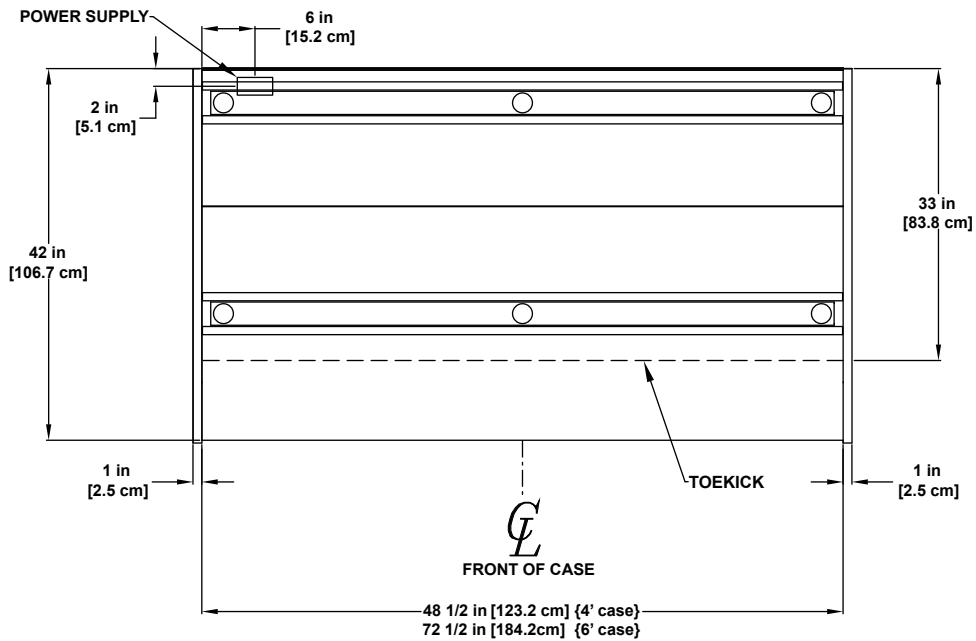
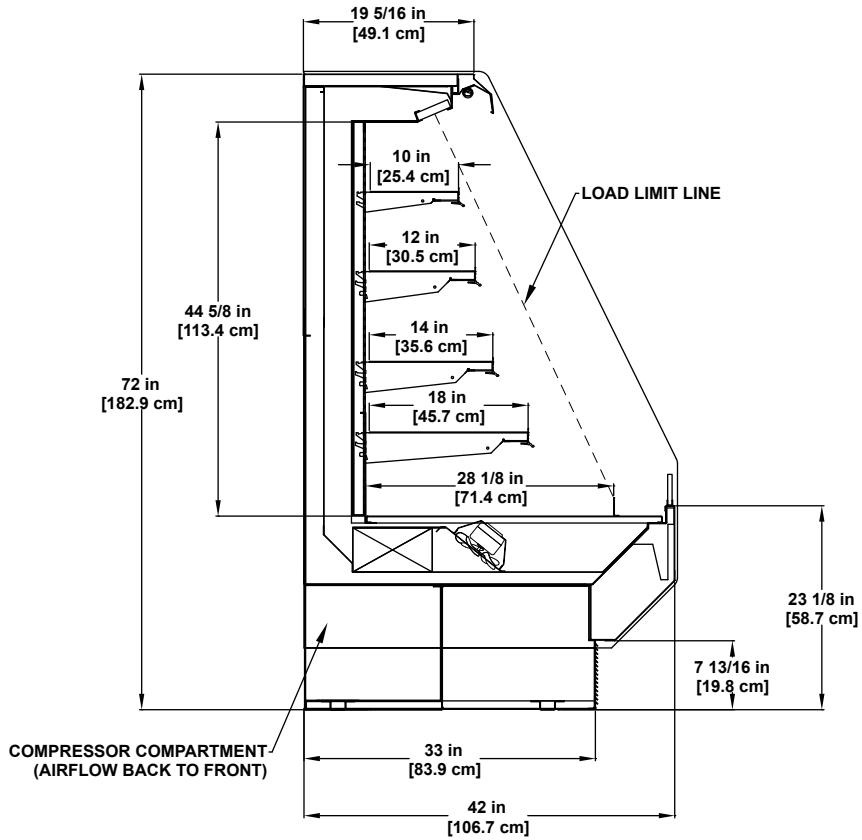
**Hillphoenix** / **Barker**  
SPECIALTY PRODUCTS



**PF**  
**(72" Self-Contained)**

**Hillphoenix**

A DOVER COMPANY



**SELF-SERVICE  
MULTI-DECK**

Bakery / Beverage / Cheese / Deli

