

# Self-Service Open Multi-Deck Merchandiser w/ Food Prep (RRS Optional)

PT 39 1/2" TALL & 35" DEEP REMOTE - 4', 6', 8', 10' & 12'

## Electrical Data

Model		Fans per Case	High Efficiency Fans		Anti-Condensate Heaters		Drain Heaters		Optional Defrost Heaters		RRS <sup>2</sup>		
			120 Volts		120 Volts		120 Volts		120 Volts		Fans per Case	Unit Cooler Fans	
			Amps	Watts	Amps	Watts	Amps	Watts	Amps	Watts		120 Volts	
												Amps	Watts
PT	4'	1	0.3	36	0.3	36	---	---	---	---	1	0.8	96
	6'	2	0.6	72	0.3	36	---	---	---	---	1	0.8	96
	8'	3	0.9	108	0.6	72	---	---	---	---	2	1.6	192
	10'	4	1.2	144	0.6	72	---	---	---	---	2	1.6	192
	12'	4	1.2	144	0.7	84	---	---	---	---	2	1.6	192

## Lighting Data

Model		Lights per Row	Light Length (ft)	Clearvoyant 4 LED Lighting (Per Light Row)			
				Standard Power (Cornice or Shelf)		High Power (Cornice)	
				120 Volts		120 Volts	
				Amps	Watts	Amps	Watts
PT	4'	1	4	0.05	5.9	0.12	14.9
	6'	2	3	0.08	9.4	0.20	23.8
	8'	2	4	0.10	11.8	0.24	29.8
	10'	2	5	0.12	15.0	0.30	37.0
	12'	3	4	0.15	17.7	0.36	44.7

## Guidelines & Control Settings (DX)

Model		Conventional <sup>3</sup> BTUH/ft	Parallel <sup>4</sup> BTUH/ft	Superheat Set Point @ Bulb (°F)	Evaporator (°F)	Discharge Air (°F)	Discharge Air <sup>5</sup> Velocity (FPM)
PT	DX	654	600	10	24	31	80-130
	RRS	153	146	10	24	31	200

## Defrost Controls

Model	Defrosts per Day	Run-Off Time (min)	Electric Defrost		Timed-Off Defrost		Hot Gas Defrost	
			Fail-Safe (min)	Termination Temp (°F)	Fail-Safe (min)	Termination Temp (°F)	Fail-Safe (min)	Termination Temp (°F)
PT	6	---	---	---	20	---	---	---

1 NOTE: "-" indicates data not applicable.

2 RRS - Refrigerated Rear Storage

3.4 Listed BTUH indicates unlighted shelves. Add the following for lighted shelves:

4' Shelf LED: 36 BTUH

4' Canopy LED: 72 BTUH

3' Shelf LED: 27 BTUH

3' Hi-Output LED: 54 BTUH

5 Average discharge air velocity at peak of defrost.

Engineered for stores with ambient conditions not to exceed 75° and 55% relative humidity.

Due to engineering improvements specifications may change without notice.

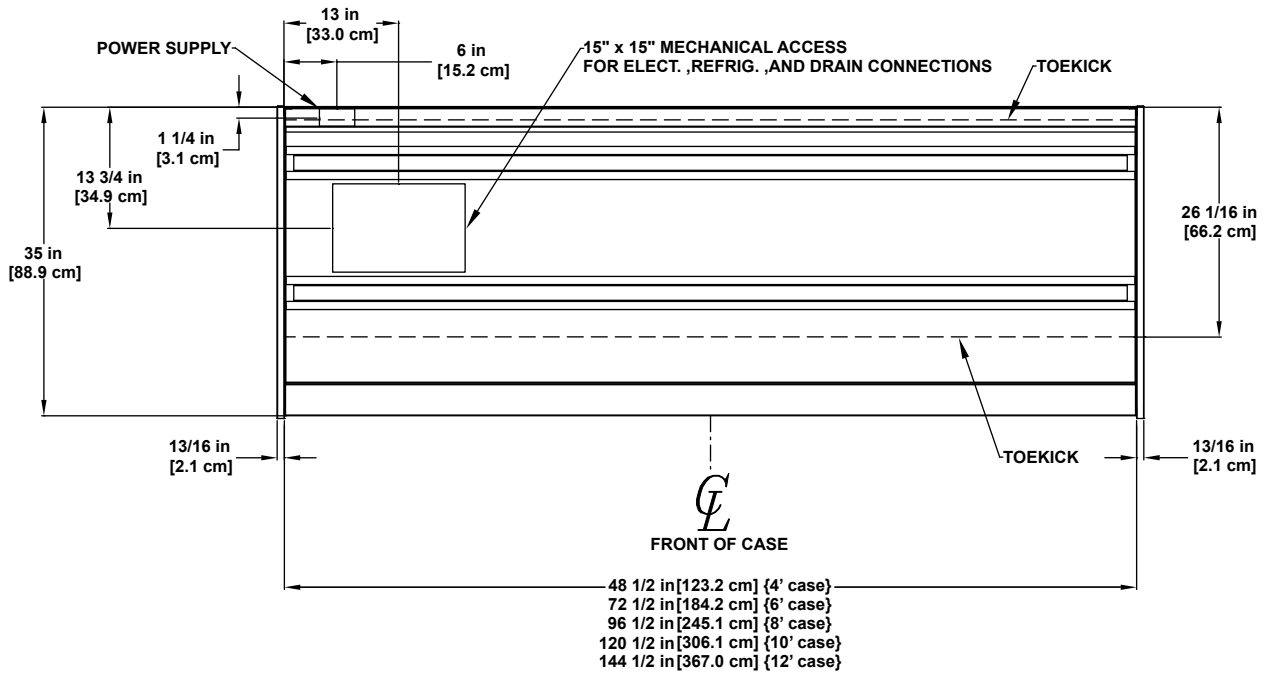
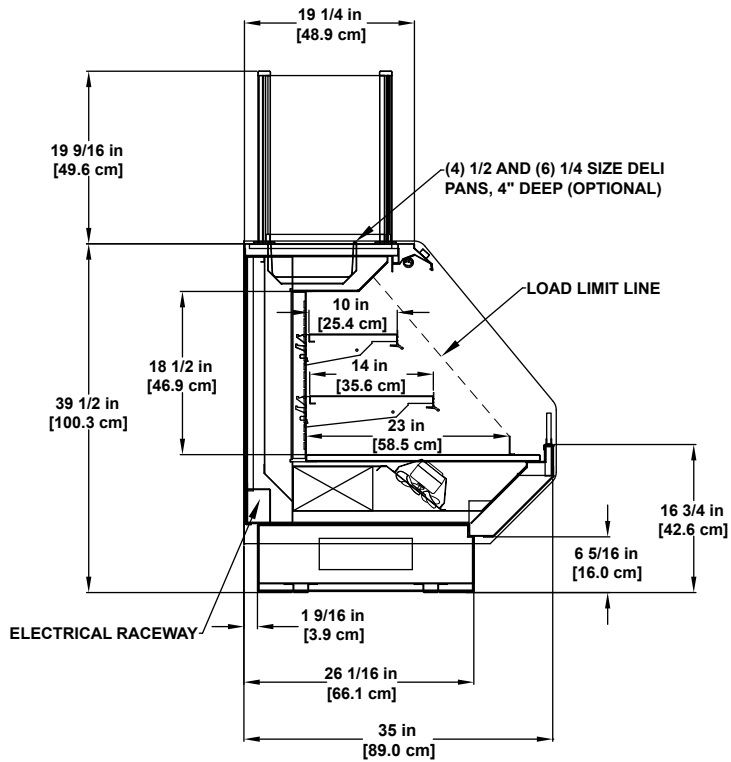
All measurements are taken per ASHRAE - 72 - 2005 specifications.

Hillphoenix refrigerated display cases for sale in the United States meet or exceed department of energy 2017 efficiency requirements.

Numbers are based on standard case sizes. Consult engineering.



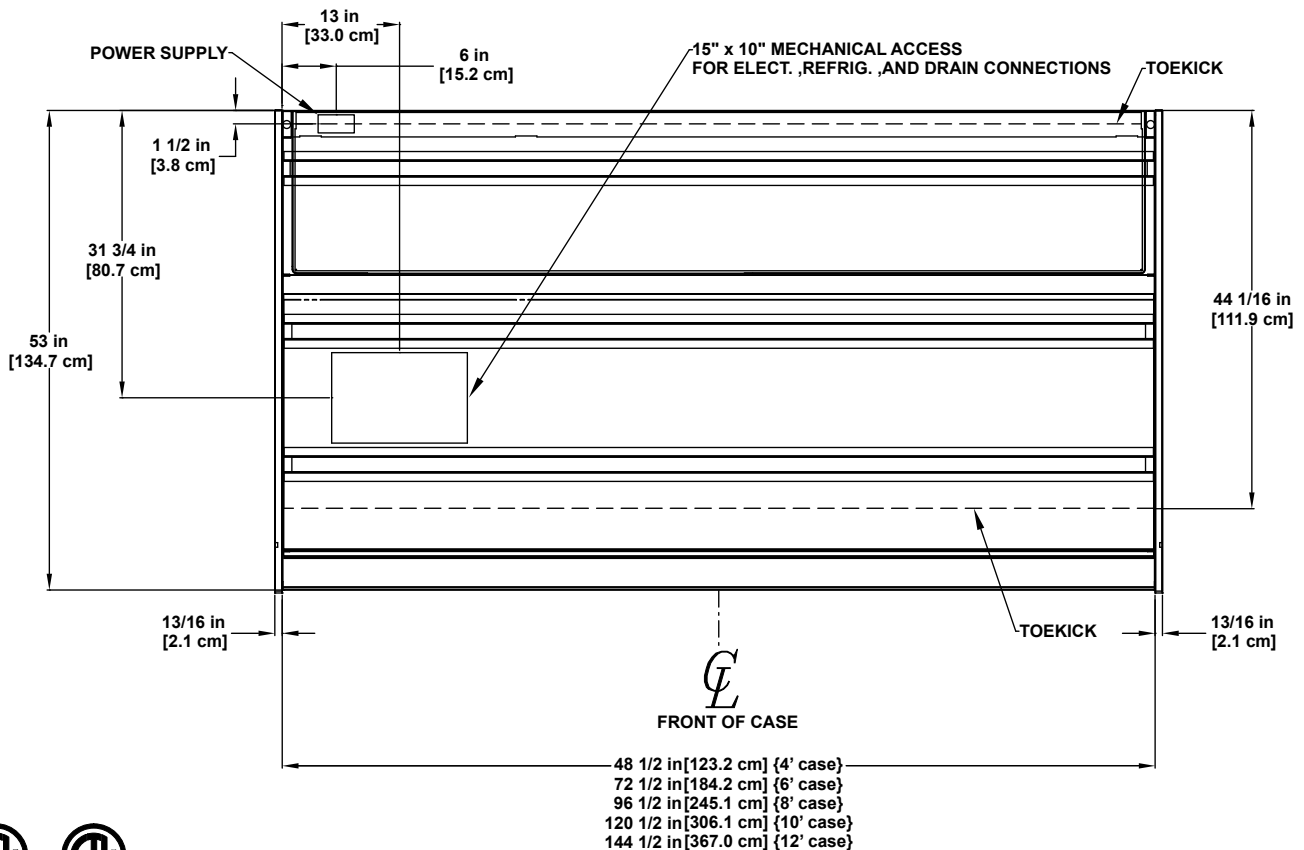
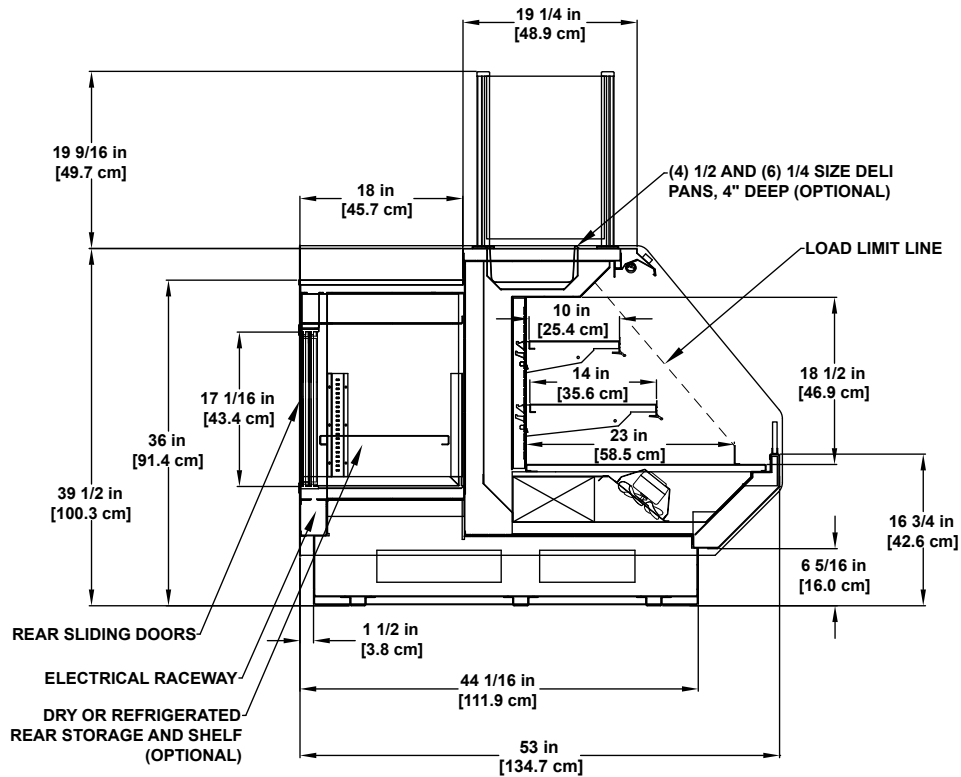
**PT**  
**(39 1/2" Tall & 35" Deep Remote)**



**SELF-SERVICE  
 MULTI-DECK**

Bakery / Deli / Sushi

(39 1/2" Tall & 35/53" Deep Remote)



\*SHOWN WITH OPTIONAL RRS, REFRIGERATED REAR STORAGE

