

# Self-Service Open Multi-Deck Top-Mount Merchandiser

## QTM 35" SELF-CONTAINED - 72"

### System Requirements

Model	Width	Volts	Phase	Total Amps	Minimum Circuit Ampacity	Maximum Overcurrent Protection
QTM	72"	120/208	1	18.41	23	41

### Electrical Data

Model	Width	Fans per Case	High Efficiency Fans		Anti-Condensate Fans		Drain Pumps		Evaporator Pan Heaters			Auxiliary Fans	
			120 Volts		120 Volts		120 Volts		Volts	Amps	Watts	120 Volts	
			Amps	Watts	Amps	Watts	Amps	Watts				Amps	Watts
QTM	72"	2	0.6	72	---	---	1	---	208	7.2	1500	---	---

### Lighting Data

Model	Width	Lights per Row	Light Length (ft)	Clearvoyant 4 LED Lighting (Per Light Row)			
				Standard Power (Cornice or Shelf)		High Power (Cornice)	
				120 Volts		120 Volts	
				Amps	Watts	Amps	Watts
QTM	72"	1	3	0.04	4.7	0.10	14.9

### Guidelines & Control Settings

Model	24hr Energy Usage (kWh/ft)	Suction Temperature @ Case Outlet (°F)	Superheat Set Point @ Bulb (°F)	Discharge Air (°F)	Discharge Air <sup>2</sup> Velocity (FPM)
QTM	---	20	8	37	80-100

### Condensing Unit Data

Model	Width	Volts	Phase	HP	RLA <sup>3</sup> (amps)	LRA <sup>4</sup> (amps)	Refrig.	Condenser Fans		Lbs. of Refrig.
								Amps	Watts	
QTM	72"	208	1	1	6.6	40	404a	1.7	138	5.8-6.0

### Defrost Controls

Model	Defrosts per Day	Run-Off Time (min)	Electric Defrost		Timed-Off Defrost		Hot Gas Defrost	
			Fail-Safe (min)	Termination Temp (°F)	Fail-Safe (min)	Termination Temp (°F)	Fail-Safe (min)	Termination Temp (°F)
QTM	6	---	---	---	40	47	---	---

- NOTE: "---" indicates data not applicable.
- Average discharge air velocity at peak of defrost.
- RLA - Running Load Amps
- LRA - Locked Rotor Amps

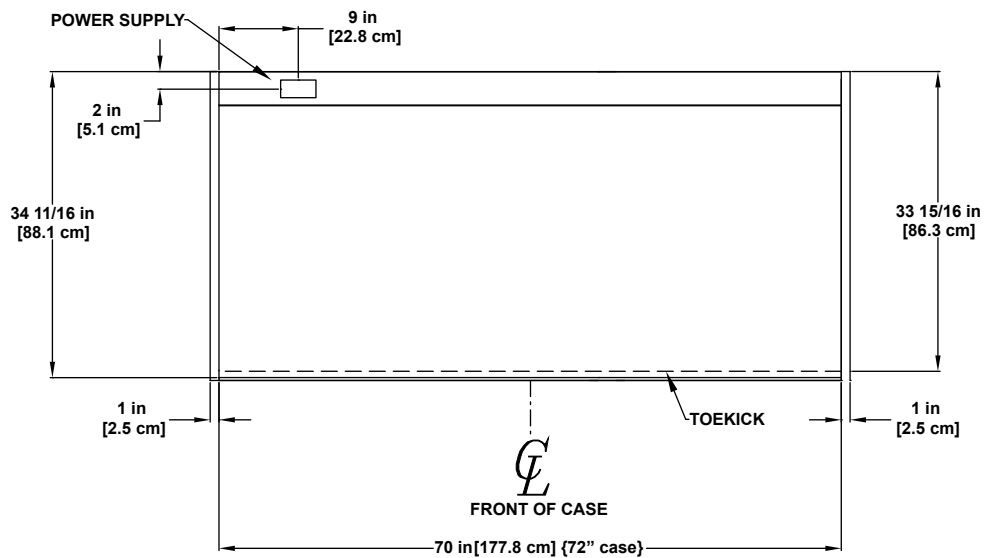
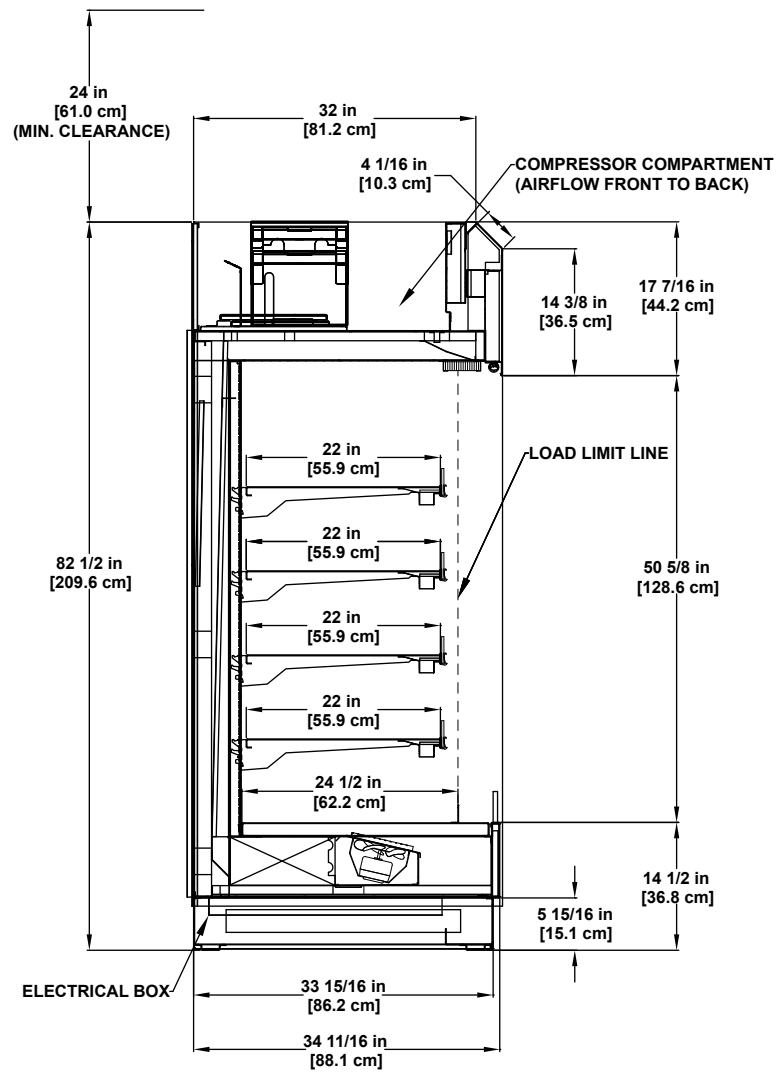
Engineered for stores with ambient conditions not to exceed 75° and 55% relative humidity. Due to engineering improvements specifications may change without notice. All measurements are taken per ASHRAE - 72 - 2005 specifications. Hillphoenix refrigerated display cases for sale in the United States meet or exceed department of energy 2017 efficiency requirements. Numbers are based on standard case sizes. Consult engineering.



# QTM 35" (72" Self-Contained)

**Hillphoenix**

A DOVER COMPANY



SELF-SERVICE  
MULTI-DECK

Beverage / Dairy / Deli / Produce

