

Service Multi-Deck Merchandiser w/ Curved or Flat Lift Glass

S2SB REMOTE - 4', 6', 8' & 12'

Electrical Data

Model		Fans per Case	High Efficiency Fans		Anti-Condensate Fans		Drain Heaters		Optional Defrost Heaters			
			120 Volts		120 Volts		120 Volts		208 Volts		240 Volts	
			Amps	Watts	Amps	Watts	Amps	Watts	Amps	Watts	Amps	Watts
S2SB	4'	1	0.3	36	0.52	62.4	---	---	1.92	400	2.22	532
	6'	2	0.6	72	0.78	93.6	---	---	2.88	600	3.33	798
	8'	3	0.9	108	1.04	124.8	---	---	3.85	800	4.44	1065
	12'	4	1.2	144	1.56	187.2	---	---	5.77	1200	6.67	1600

Lighting Data

Model		Lights per Row	Light Length (ft)	Clearvoyant 4 LED Lighting (Per Light Row)			
				Standard Power (Cornice or Shelf)		High Power (Cornice)	
				120 Volts		120 Volts	
				Amps	Watts	Amps	Watts
S2SB	4'	1	4	0.10	11.9	0.18	21.5
	6'	2	3	0.14	16.6	0.24	25.8
	8'	2	4	0.20	23.8	0.36	43.0
	12'	3	4	0.30	35.7	0.54	64.5

Guidelines & Control Settings (DX)

Model	Conventional ² BTUH/ft	Parallel ³ BTUH/ft	Superheat Set Point @ Bulb (°F)	Evaporator (°F)	Discharge Air (°F)	Discharge Air ⁴ Velocity (FPM)
S2SB	261	240	6-8	25	30	235

Defrost Controls

Model	Defrosts per Day	Run-Off Time (min)	Electric Defrost		Timed-Off Defrost		Hot Gas Defrost	
			Fail-Safe (min)	Termination Temp (°F)	Fail-Safe (min)	Termination Temp (°F)	Fail-Safe (min)	Termination Temp (°F)
S2SB	4	6-8	35	50	45	42	20	45

1 NOTE: "-" indicates data not applicable.

2,3 Listed BTUH indicates unlighted shelves. Add the following for lighted shelves:

4' Fluorescent: 80 BTUH

3' Fluorescent: 60 BTUH

4' Shelf LED: 36 BTUH

4' Canopy LED: 72 BTUH

3' Shelf LED: 27 BTUH

3' Hi-Output LED: 54 BTUH

4 Average discharge air velocity at peak of defrost.

Engineered for stores with ambient conditions not to exceed 75° and 55% relative humidity.

Due to engineering improvements specifications may change without notice.

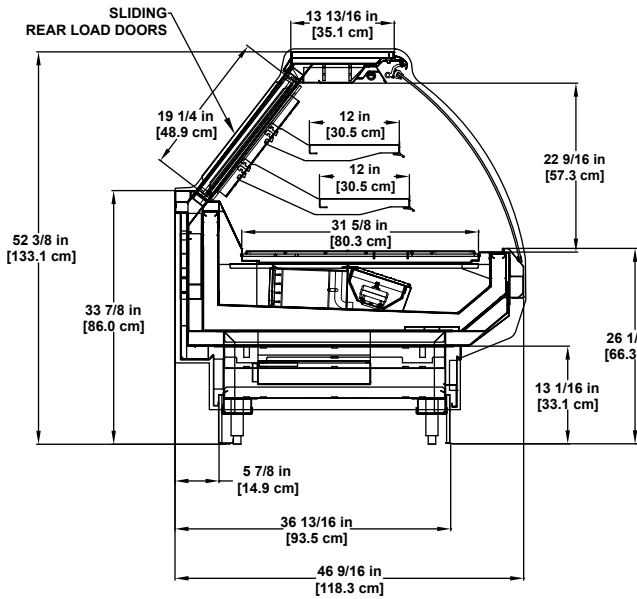
All measurements are taken per ASHRAE - 72 - 2005 specifications.

Hillphoenix refrigerated display cases for sale in the United States meet or exceed department of energy 2017 efficiency requirements.

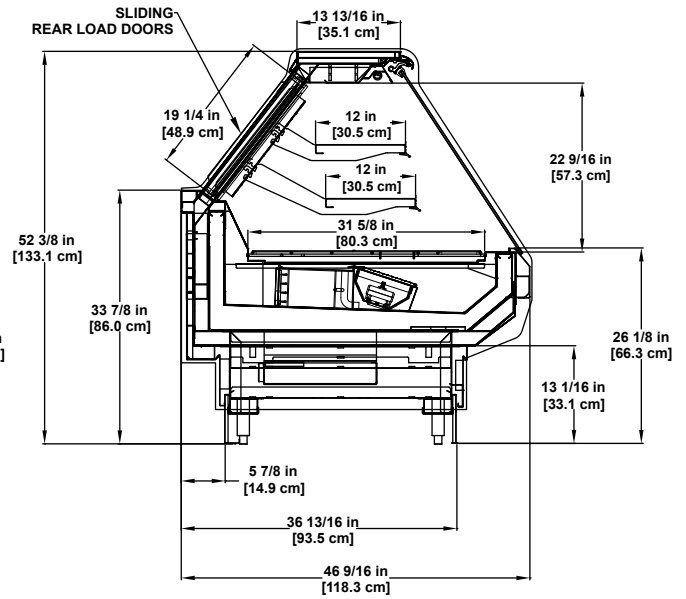
Numbers are based on standard case sizes. Consult engineering.



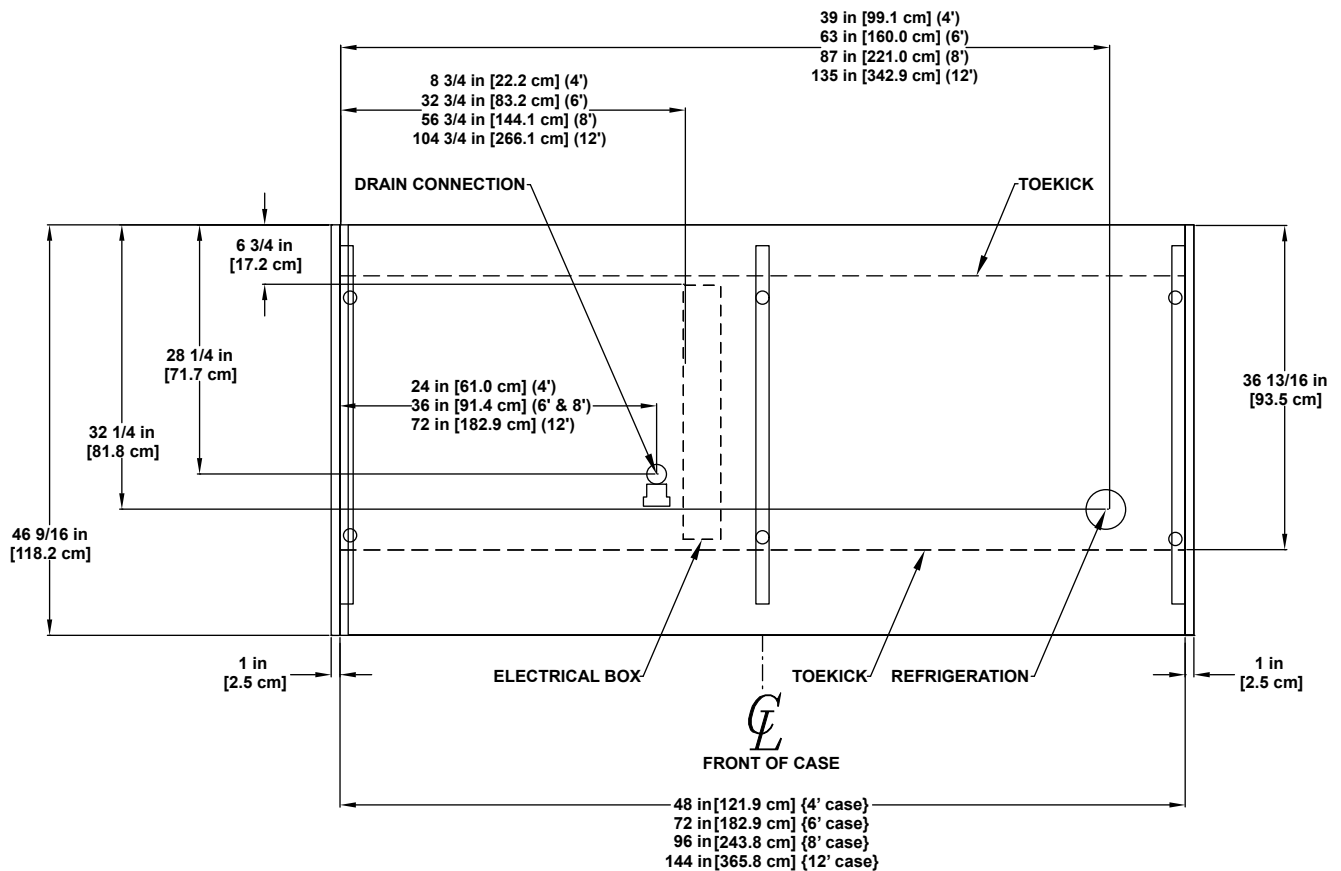
**SERVICE
MULTI-DECK
Dell**



CURVED GLASS



FLAT GLASS



*SHOWN WITH OPTIONAL SHELVING