

Self-Service Single-Deck Merchandier w/ Service Dome

SD REMOTE BASE & REMOTE DOME - 4', 6', 8', 10' & 12'

Electrical Data (Dome)

Model		Fans per Case	High Efficiency Fans		Anti-Condensate Fans		Drain Heaters		Optional Defrost Heaters	
			120 Volts		120 Volts		120 Volts		208 Volts	
			Amps	Watts	Amps	Watts	Amps	Watts	Amps	Watts
SD	4'	1	0.3	36	---	---	---	---	---	---
	6'	2	0.6	72	---	---	---	---	---	---
	8'	2	0.6	72	---	---	---	---	---	---
	10'	3	0.9	108	---	---	---	---	---	---
	12'	3	0.9	108	---	---	---	---	---	---

Electrical Data (Base)

Model		Fans per Case	High Efficiency Fans		Anti-Condensate Fans		Drain Heaters		Defrost Heaters	
			120 Volts		120 Volts		120 Volts		208 Volts	
			Amps	Watts	Amps	Watts	Amps	Watts	Amps	Watts
SD	4'	1	0.3	36	0.17	20.4	---	---	---	---
	6'	1	0.3	36	0.31	37.2	---	---	---	---
	8'	2	0.6	72	0.34	40.8	---	---	---	---
	10'	2	0.6	72	0.52	62.4	---	---	---	---
	12'	3	0.9	108	0.56	67.2	---	---	---	---

Lighting Data

Model		Lights per Row	Light Length (ft)	Clearvoyant 4 LED Lighting (Per Light Row)			
				Standard Power (Cornice or Shelf)		High Power (Cornice)	
				120 Volts		120 Volts	
				Amps	Watts	Amps	Watts
SD	4'	1	4	0.05	5.9	0.12	14.9
	6'	2	3	0.08	9.4	0.20	23.8
	8'	2	4	0.10	11.8	0.24	29.8
	10'	2	5	0.12	15.0	0.30	37.0
	12'	3	4	0.15	17.7	0.36	44.7

Guidelines & Control Settings (DX)

Model		Conventional ² BTUH/ft	Parallel ³ BTUH/ft	Superheat Set Point @ Bulb (oF)	Evaporator (oF)	Discharge Air (oF)	Discharge Air ⁴ Velocity (FPM)
SD	Dome	383	353	6-8	26	30	370
	Base	689	636	6-8	26	30	360

Engineered for stores with ambient conditions not to exceed 75° and 55% relative humidity.
 Due to engineering improvements specifications may change without notice.
 All measurements are taken per ASHRAE - 72 - 2005 specifications.
 Hillphoenix refrigerated display cases for sale in the United States meet or exceed department of energy 2017 efficiency requirements.
 Numbers are based on standard case sizes. Consult engineering.



Defrost Controls

Model		Defrosts per Day	Run-Off Time (min)	Electric Defrost		Timed-Off Defrost		Hot Gas Defrost	
				Fail-Safe (min)	Termination Temp (oF)	Fail-Safe (min)	Termination Temp (oF)	Fail-Safe (min)	Termination Temp (oF)
SD	Dome	4	---	---	---	45/ ⁵ 28	42	---	---
	Base	4	---	---	---	45/ ⁶ 28	42	---	---

- 1 NOTE: "---" indicates data not applicable.
- 2,3 Listed BTUH indicates unlighted shelves. Add the following for lighted shelves:
 - 4' Shelf LED: 36 BTUH
 - 4' Canopy LED: 72 BTUH
 - 3' Shelf LED: 27 BTUH
 - 3' Hi-Output LED: 54 BTUH
- 4 Average discharge air velocity at peak of defrost.
- 5,6 Time-off duration for defrost with no termination control.

SERVICE/Self-SERVICE SINGLE-DECK

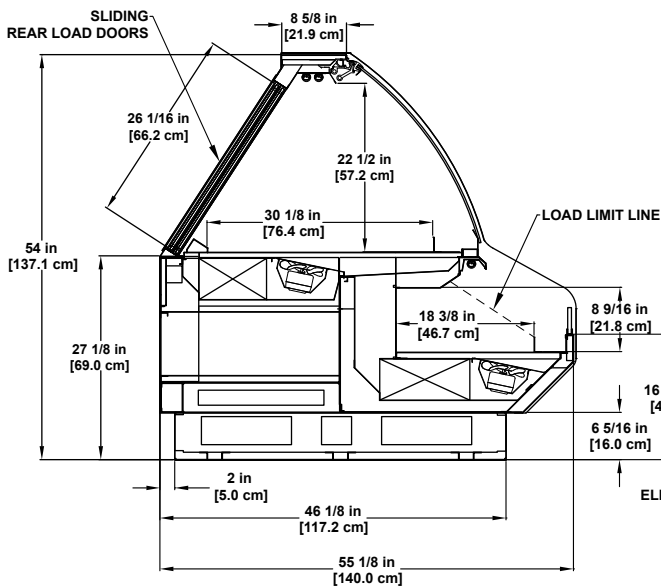
Bakery / Deli / Meat / Seafood



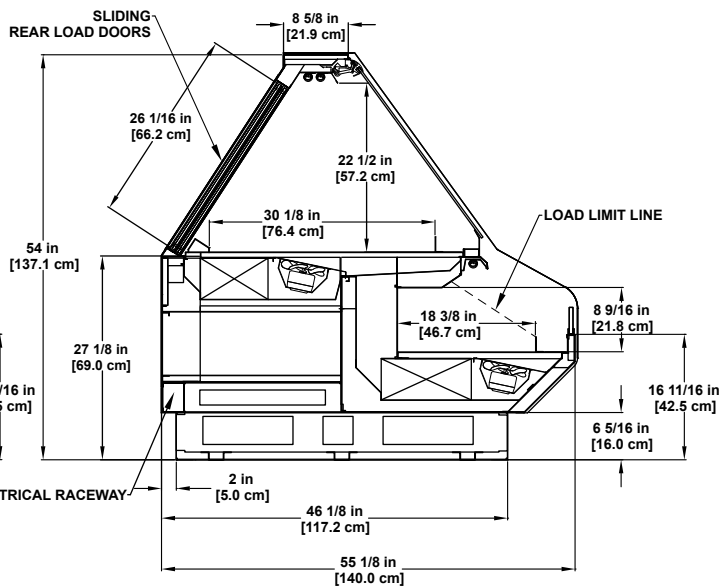
Engineered for stores with ambient conditions not to exceed 75° and 55% relative humidity. Due to engineering improvements specifications may change without notice. All measurements are taken per ASHRAE - 72 - 2005 specifications. Hillphoenix refrigerated display cases for sale in the United States meet or exceed department of energy 2017 efficiency requirements. Numbers are based on standard case sizes. Consult engineering.



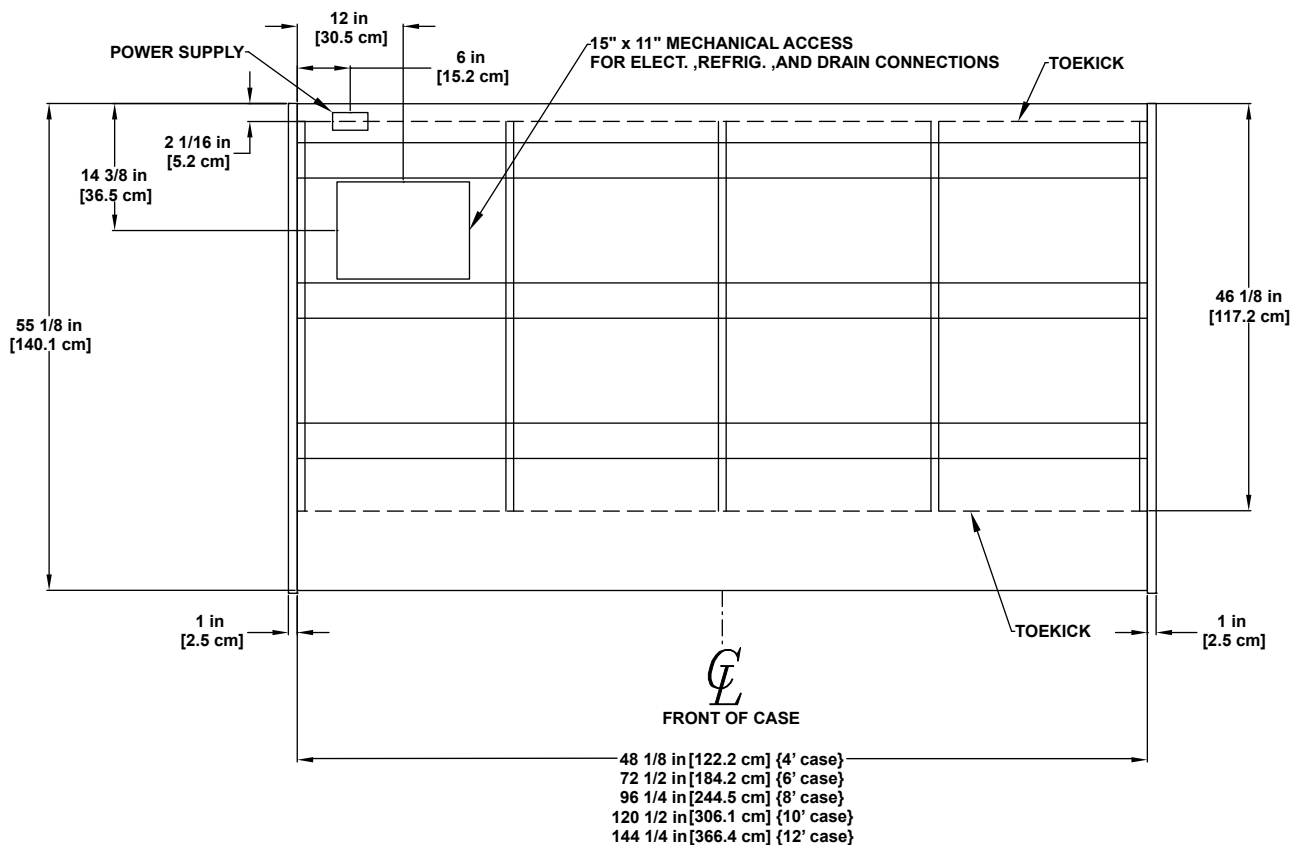
(Remote Base/Remote Dome)



CURVED GLASS



FLAT GLASS



FRONT OF CASE

- 48 1/8 in [122.2 cm] {4' case}
- 72 1/2 in [184.2 cm] {6' case}
- 96 1/4 in [244.5 cm] {8' case}
- 120 1/2 in [306.1 cm] {10' case}
- 144 1/4 in [366.4 cm] {12' case}

