

# Self-Service Single-Deck Merchandier w/ Service Dome

## SD-RG REMOTE BASE & REMOTE GRAVITY DOME - 4', 6', 8', 10' & 12'

### Electrical Data (Dome)

Model		Fans per Case	High Efficiency Fans		Anti-Condensate Fans		Drain Heaters		Optional Defrost Heaters	
			120 Volts		120 Volts		120 Volts		208 Volts	
			Amps	Watts	Amps	Watts	Amps	Watts	Amps	Watts
SD-RG	4'	--- <sup>1</sup>	---	---	---	---	---	---	---	---
	6'	---	---	---	---	---	---	---	---	---
	8'	---	---	---	---	---	---	---	---	---
	10'	---	---	---	---	---	---	---	---	---
	12'	---	---	---	---	---	---	---	---	---

### Electrical Data (Base)

Model		Fans per Case	High Efficiency Fans		Anti-Condensate Fans		Drain Heaters		Defrost Heaters	
			120 Volts		120 Volts		120 Volts		208 Volts	
			Amps	Watts	Amps	Watts	Amps	Watts	Amps	Watts
SD-RG	4'	1	0.3	36	0.17	20.4	---	---	---	---
	6'	1	0.3	36	0.31	37.2	---	---	---	---
	8'	2	0.6	72	0.34	40.8	---	---	---	---
	10'	2	0.6	72	0.52	62.4	---	---	---	---
	12'	3	0.9	108	0.56	67.2	---	---	---	---

### Lighting Data

Model		Lights per Row	Light Length (ft)	Clearvoyant 4 LED Lighting (Per Light Row)			
				Standard Power (Cornice or Shelf)		High Power (Cornice)	
				120 Volts		120 Volts	
				Amps	Watts	Amps	Watts
SD-RG	4'	1	4	0.05	5.9	0.12	14.9
	6'	2	3	0.08	9.4	0.20	23.8
	8'	2	4	0.10	11.8	0.24	29.8
	10'	2	5	0.12	15.0	0.30	37.0
	12'	3	4	0.15	17.7	0.36	44.7

### Guidelines & Control Settings (DX)

Model		Conventional BTUH/ft	Parallel BTUH/ft	Superheat Set Point @ Bulb (°F)	Evaporator (°F)	Discharge Air (°F)	Discharge Air <sup>2</sup> Velocity (FPM)
SD-RG	Dome	490	450	10	15	28	200
	Base	689	636	6-8	26	30	360

Engineered for stores with ambient conditions not to exceed 75° and 55% relative humidity.  
 Due to engineering improvements specifications may change without notice.  
 All measurements are taken per ASHRAE - 72 - 2005 specifications.  
 Hillphoenix refrigerated display cases for sale in the United States meet or exceed department of energy 2017 efficiency requirements.  
 Numbers are based on standard case sizes. Consult engineering.



**(Remote Base/Remote Gravity Dome)**

**Defrost Controls**

Model		Defrosts <sup>3</sup> per Day	Run-Off Time (min)	Electric Defrost		Timed-Off Defrost		Hot Gas Defrost	
				Fail-Safe (min)	Termination Temp (°F)	Fail-Safe (min)	Termination Temp (°F)	Fail-Safe (min)	Termination Temp (°F)
SD-RG	Dome	2	---	---	---	60	---	---	---
	Base	4	---	---	---	45/428	42	---	---

- 1 NOTE: "---" indicates data not applicable.
- 2 Average discharge air velocity at peak of defrost.
- 3 Units equipped with RH systems require 2 defrosts per day with a fail-safe of 120 minutes.
- 4 Time-off duration for defrost with no termination control.
- \* Listed data is based on the factory recommended default fresh meat temperature settings.
- \* Shelves are not recommended for fresh meat applications.

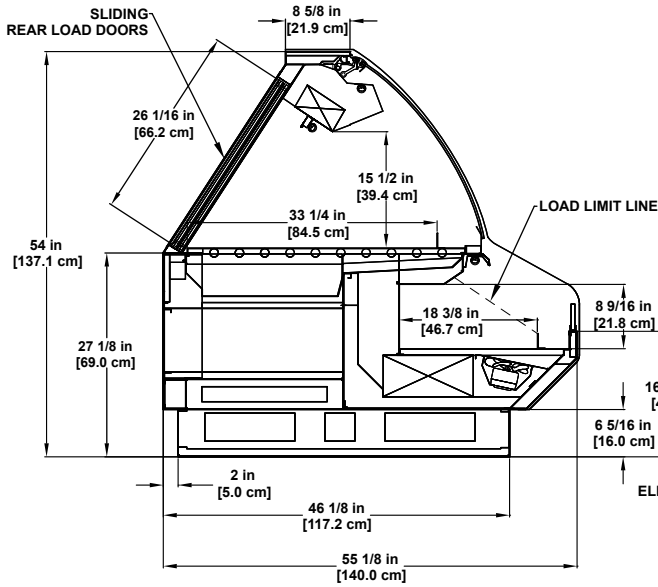
**SERVICE/Self-SERVICE  
MULTI-DECK**

Meat / Seafood

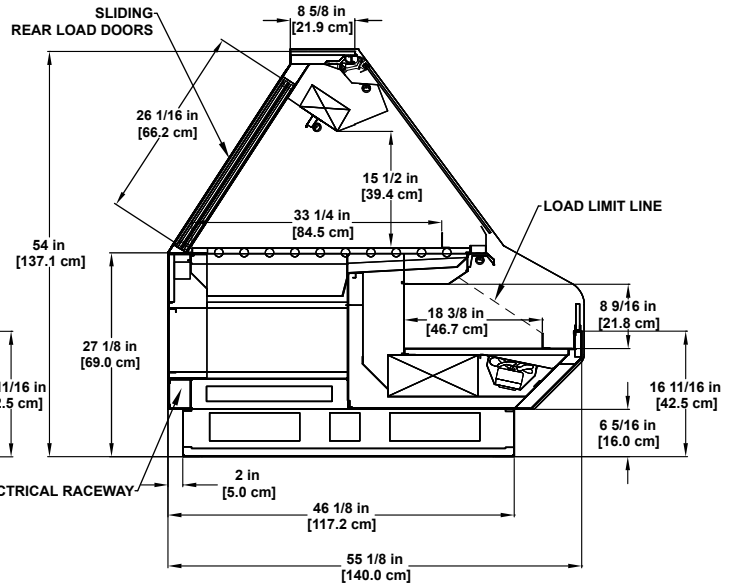


Engineered for stores with ambient conditions not to exceed 75° and 55% relative humidity. Due to engineering improvements specifications may change without notice. All measurements are taken per ASHRAE - 72 - 2005 specifications. Hillphoenix refrigerated display cases for sale in the United States meet or exceed department of energy 2017 efficiency requirements. Numbers are based on standard case sizes. Consult engineering.

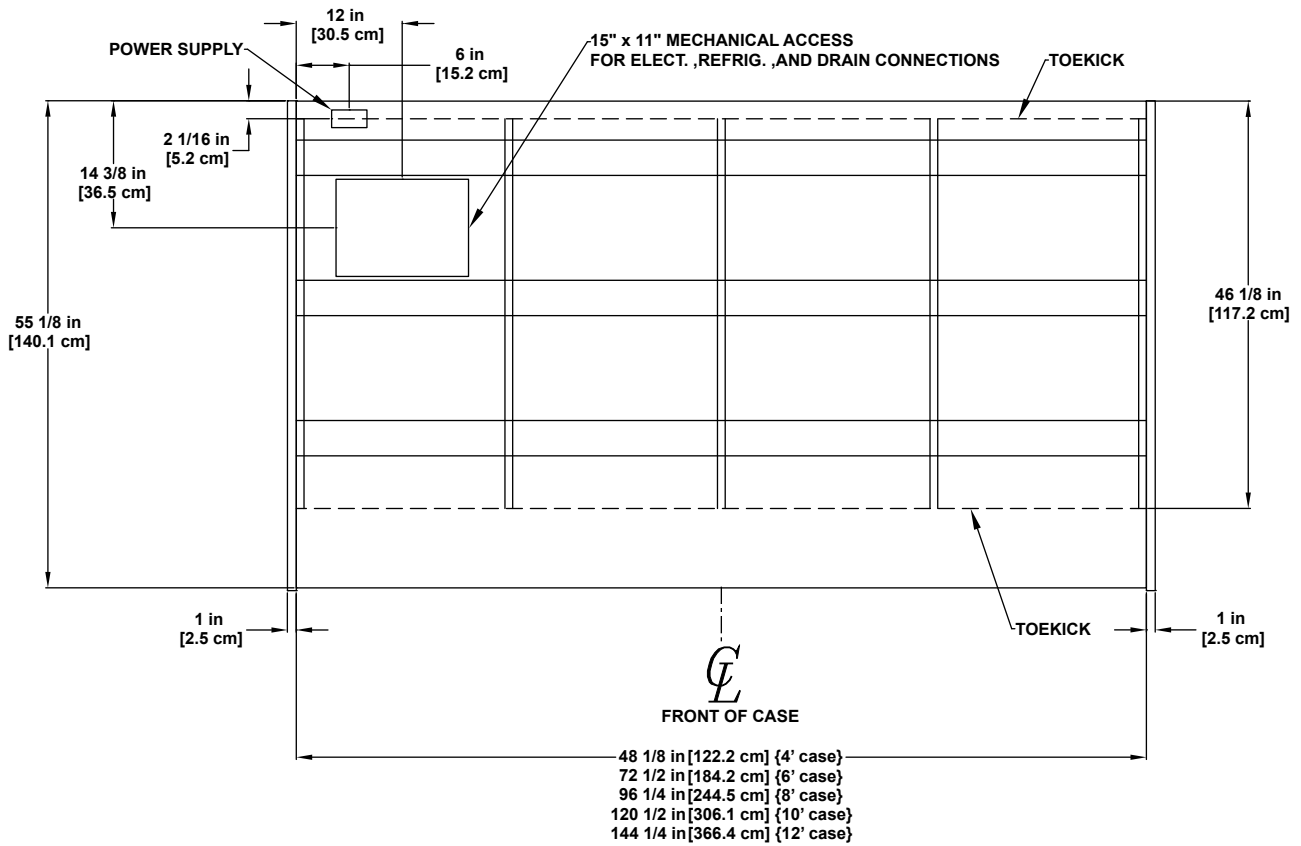




CURVED GLASS



FLAT GLASS



- FRONT OF CASE
- 48 1/8 in [122.2 cm] {4' case}
  - 72 1/2 in [184.2 cm] {6' case}
  - 96 1/4 in [244.5 cm] {8' case}
  - 120 1/2 in [306.1 cm] {10' case}
  - 144 1/4 in [366.4 cm] {12' case}