

# Self-Service Single-Deck Merchandier w/ Service Dome

## SD REMOTE BASE & HOT DOME - 4', 6', 8', 10' & 12'

### Electrical Data

Model		Fans per Case	High Efficiency Fans		Anti-Condensate Fans		Drain Heaters		Defrost Heaters	
			120 Volts		120 Volts		120 Volts		208 Volts	
			Amps	Watts	Amps	Watts	Amps	Watts	Amps	Watts
SD (BASE)	4'	1	0.3	36	0.17	20.4	---	---	---	---
	6'	1	0.3	36	0.31	37.2	---	---	---	---
	8'	2	0.6	72	0.34	40.8	---	---	---	---
	10'	2	0.6	72	0.52	62.4	---	---	---	---
	12'	3	0.9	108	0.56	67.2	---	---	---	---

### Lighting Data

Model		Lights per Row	Light Length (ft)	Clearvoyant 4 LED Lighting (Per Light Row)			
				Standard Power (Cornice or Shelf)		High Power (Cornice)	
				120 Volts		120 Volts	
				Amps	Watts	Amps	Watts
SD (BASE)	4'	1	4	0.05	5.9	0.12	14.9
	6'	2	3	0.08	9.4	0.20	23.8
	8'	2	4	0.10	11.8	0.24	29.8
	10'	2	5	0.12	15.0	0.30	37.0
	12'	3	4	0.15	17.7	0.36	44.7

### Guidelines & Control Settings (DX)

Model	Conventional <sup>2</sup> BTUH/ft	Parallel <sup>3</sup> BTUH/ft	Superheat Set Point @ Bulb (°F)	Evaporator (°F)	Discharge Air (°F)	Discharge Air <sup>4</sup> Velocity (FPM)
SD (BASE)	689	636	6-8	26	30	360

### Defrost Controls

Model	Defrosts per Day	Run-Off Time (min)	Electric Defrost		Timed-Off Defrost		Hot Gas Defrost	
			Fail-Safe (min)	Termination Temp (°F)	Fail-Safe (min)	Termination Temp (°F)	Fail-Safe (min)	Termination Temp (°F)
SD (BASE)	4	---	---	---	45/ <sup>5</sup> 28	42	---	---

1 NOTE: "---" indicates data not applicable.

2,3 Listed BTUH indicates unlighted shelves. Add the following for lighted shelves:

4' Shelf LED: 36 BTUH

4' Canopy LED: 72 BTUH

3' Shelf LED: 27 BTUH

3' Hi-Output LED: 54 BTUH

4 Average discharge air velocity at peak of defrost.

5 Time-off duration for defrost with no termination control.

Engineered for stores with ambient conditions not to exceed 75° and 55% relative humidity.

Due to engineering improvements specifications may change without notice.

All measurements are taken per ASHRAE - 72 - 2005 specifications.

Hillphoenix refrigerated display cases for sale in the United States meet or exceed department of energy 2017 efficiency requirements.

Numbers are based on standard case sizes. Consult engineering.



# SD (Remote Base/Hot Dome)

## Service

Model		Top Heaters		Bottom Heaters		Lights		Shelves		Total Amps (120/208-1-60)	Total Amps (120/208-3-60)		
		Qty	Watts (each)	Qty	Watts (each)	Qty	Watts (each)	Qty	Watts (each)		L1	L2	L3
SD (DOME)	4'	3	250	2	400	2	100	---	---	---	---	---	
	6'	4	250	3	400	3	100	---	---	---	---	---	
	8'	6	250	4	400	4	100	---	---	---	---	---	
	10'	7	250	5	400	5	100	---	---	---	---	---	
	12'	8	250	6	400	6	100	---	---	---	---	---	

## Electrical Data

Model		Fans per Case	Convection Fans	
			120 Volts	
			Amps	Watts
SD (DOME)	4'	1	0.06	7.2
	6'	2	0.12	14.4
	8'	2	0.12	14.4
	10'	3	0.18	21.6
	12'	3	0.18	21.6

## Lighting Data

Model		Lights per Row	Light Length (ft)	Incandescent Lighting (Per Light Row)	
				Amps	Watts
SD (DOME)	4'	---	---	1.66	200
	6'	---	---	2.5	300
	8'	---	---	3.3	400
	10'	---	---	4.6	500
	12'	---	---	5.0	600

<sup>1</sup> NOTE: " - - - " indicates data not applicable.

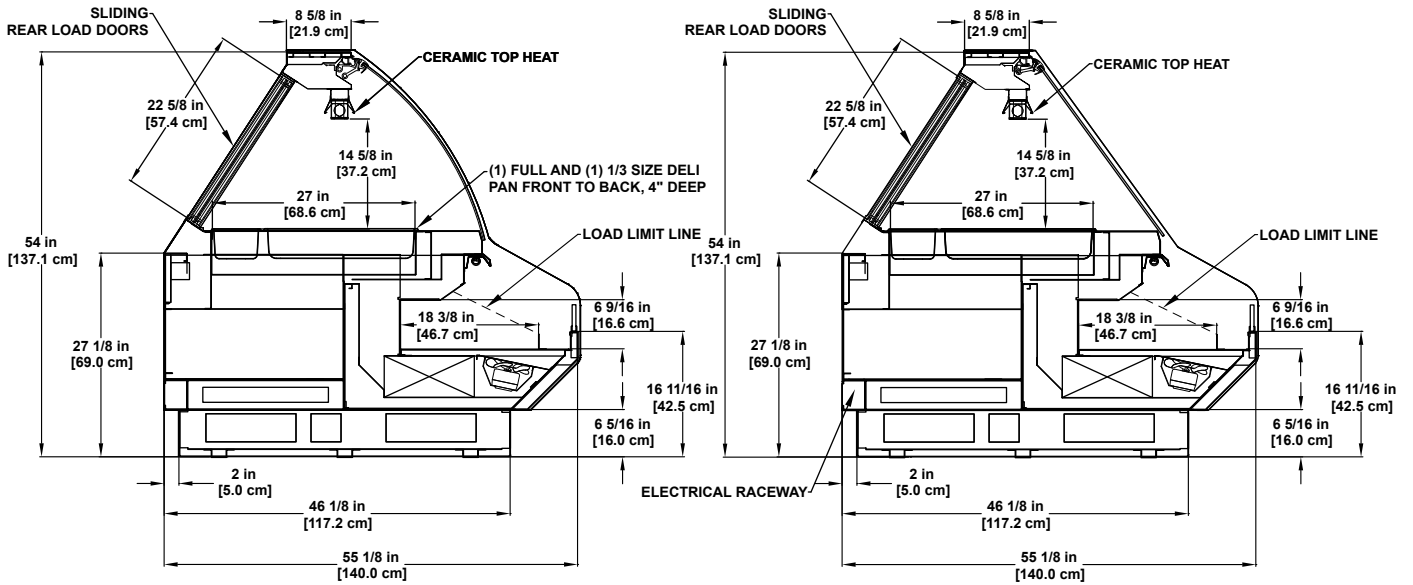
SERVICE/Self-SERVICE  
SINGLE-DECK

Deli

Engineered for stores with ambient conditions not to exceed 75° and 55% relative humidity.  
Due to engineering improvements specifications may change without notice.  
All measurements are taken per ASHRAE - 72 - 2005 specifications.  
Numbers are based on standard case sizes. Consult engineering.



**SD**  
**(Remote Base/Hot Dome)**



**CURVED GLASS**

**FLAT GLASS**

