

Service Single-Deck Merchandiser w/ Flat Fixed Glass

SGM REMOTE GRAVITY - 4', 6', 8' & 12'

Electrical Data

Model		Fans per Case	High Efficiency Fans		Anti-Condensate Fans		Drain Heaters		Optional Defrost Heaters			
			120 Volts		120 Volts		120 Volts		208 Volts		240 Volts	
			Amps	Watts	Amps	Watts	Amps	Watts	Amps	Watts	Amps	Watts
SGM	4'	--- ¹	---	---	---	---	---	---	---	---	---	---
	6'	---	---	---	---	---	---	---	---	---	---	---
	8'	---	---	---	---	---	---	---	---	---	---	---
	12'	---	---	---	---	---	---	---	---	---	---	---

Lighting Data

Model		Lights per Row	Light Length (ft)	Clearvoyant 4 LED Lighting (Per Light Row)			
				Standard Power (Cornice or Shelf)		High Power (Cornice)	
				120 Volts		120 Volts	
				Amps	Watts	Amps	Watts
SGM	4'	1	4	0.05	5.9	0.12	14.9
	6'	2	3	0.08	9.4	0.20	23.8
	8'	2	4	0.10	11.8	0.24	29.8
	12'	3	4	0.15	17.7	0.36	44.7

Guidelines & Control Settings (DX)

Model		Conventional BTUH/ft	Parallel BTUH/ft	Superheat Set Point @ Bulb (°F)	Evaporator (°F)	Discharge Air (°F)	Discharge Air ² Velocity (FPM)
SGM	26" Glass	168	150	6-8	22	28	---
	30" Glass	216	200	6-8	20	28	---

Guidelines & Control Settings (Glycol)

Model			BTUH/ft	Glycol Supply (°F)		Glycol Pressure Drop (PSIG)		Coil Volume (gal)
				20°F ³	25°F ⁴	20°F	25°F	
SGM	26" Glass	4'	---	---	---	1.5	---	1.7
		6'	---	---	---	3.5	---	2.5
		8'	---	---	---	5.0	---	3.0
		12'	---	---	---	7.5	---	5.0
	30" Glass	4'	---	---	---	1.5	---	1.7
		6'	---	---	---	3.5	---	2.5
		8'	---	---	---	5.0	---	3.0
		12'	---	---	---	7.5	---	5.0

Engineered for stores with ambient conditions not to exceed 75° and 55% relative humidity.

Due to engineering improvements specifications may change without notice.

All measurements are taken per ASHRAE - 72 - 2005 specifications.

Hillphoenix refrigerated display cases for sale in the United States meet or exceed department of energy 2017 efficiency requirements.

Numbers are based on standard case sizes. Consult engineering.

2017
DOE
COMPLIANT

Clearvoyant™
LED SYSTEM

Hillphoenix / **Barker**
SPECIALTY PRODUCTS



Defrost Controls

Model		Defrosts ⁵ per Day	Run-Off Time (min)	Electric Defrost		Timed-Off Defrost		Hot Gas Defrost	
				Fail-Safe (min)	Termination Temp (°F)	Fail-Safe (min)	Termination Temp (°F)	Fail-Safe (min)	Termination Temp (°F)
SGM	DX	1	---	---	---	90	50	---	---
	Glycol	2	---	---	---	90	50	---	---

- 1 NOTE: "---" indicates data not applicable.
- 2 Average discharge air velocity at peak of defrost.
- 3 Propylene glycol mixture of 35% concentration by weight.
- 4 Propylene glycol mixture of 30% concentration by weight.
- 5 Units equipped with RH systems require 2 defrosts per day with a fail-safe of 120 minutes.
- * Listed data is based on the factory recommended default fresh meat temperature settings.
- * Shelves are not recommended for fresh meat applications.

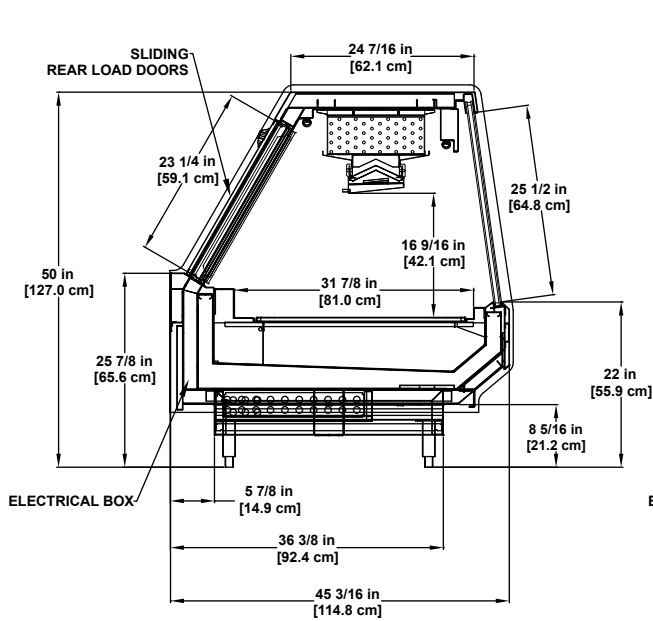
**SERVICE
SINGLE-DECK**

Deli / Meat / Seafood

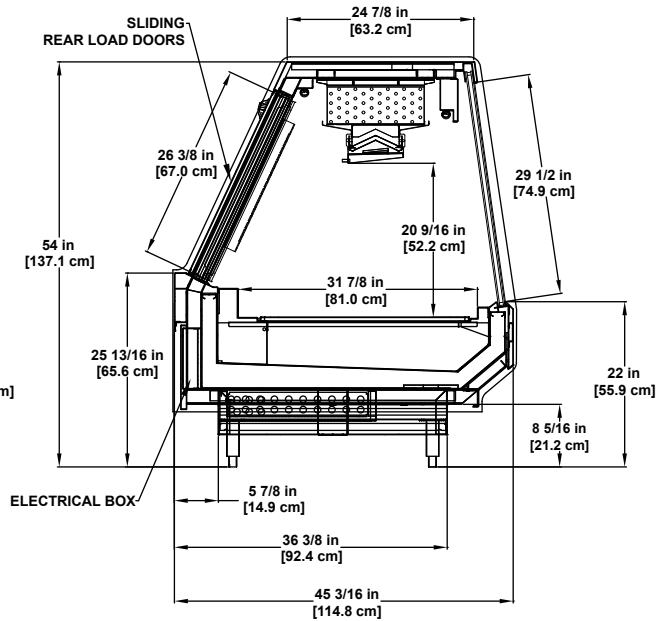
Engineered for stores with ambient conditions not to exceed 75° and 55% relative humidity.
 Due to engineering improvements specifications may change without notice.
 All measurements are taken per ASHRAE - 72 - 2005 specifications.
 Hillphoenix refrigerated display cases for sale in the United States meet or exceed
 department of energy 2017 efficiency requirements.
 Numbers are based on standard case sizes. Consult engineering.



SGM
(Remote Gravity)



26" GLASS



30" GLASS

