

Service Single-Deck Hot Well Merchandiser w/ Curved or Flat Lift Glass

SMD HOT - 4', 6', 8', 10' & 12'

Service

| Model | | Top Heaters | | Bottom Heaters | | Lights | | Shelves | | Total Amps (120/208-1-60) | Total Amps (120/208-3-60) | | |
|-------|-----|-------------|-----------------|----------------|-----------------|--------|-----------------|---------|-----------------|------------------------------|------------------------------|-------|-------|
| | | Qty | Watts (each) | Qty | Watts (each) | Qty | Watts (each) | Qty | Watts (each) | | L1 | L2 | L3 |
| SMDH | 4' | 3 | 250 | 2 | 600 | 2 | 100 | --- | --- | --- | 9.38 | 4.7 | 5.76 |
| | 6' | 4 | 250 | 3 | 600 | 3 | 100 | --- | --- | --- | 9.13 | 11.19 | 8.56 |
| | 8' | 6 | 250 | 4 | 600 | 4 | 100 | --- | --- | --- | 12.98 | 13.1 | 13.46 |
| | 10' | 7 | 250 | 5 | 600 | 5 | 100 | --- | --- | --- | 17.01 | 17.76 | 13.44 |
| | 12' | 8 | 250 | 6 | 600 | 6 | 100 | --- | --- | --- | 21.12 | 19.2 | 19.5 |

Electrical Data

| Model | | Fans per Case | Convection Fans | |
|-------|-----|---------------------|--------------------|-------|
| | | | 120 Volts | |
| | | | Amps | Watts |
| SMDH | 4' | 2 | 0.06 | 14 |
| | 6' | 3 | 0.09 | 21 |
| | 8' | 4 | 0.12 | 28 |
| | 10' | 4 | 0.12 | 28 |
| | 12' | 5 | 0.15 | 35 |

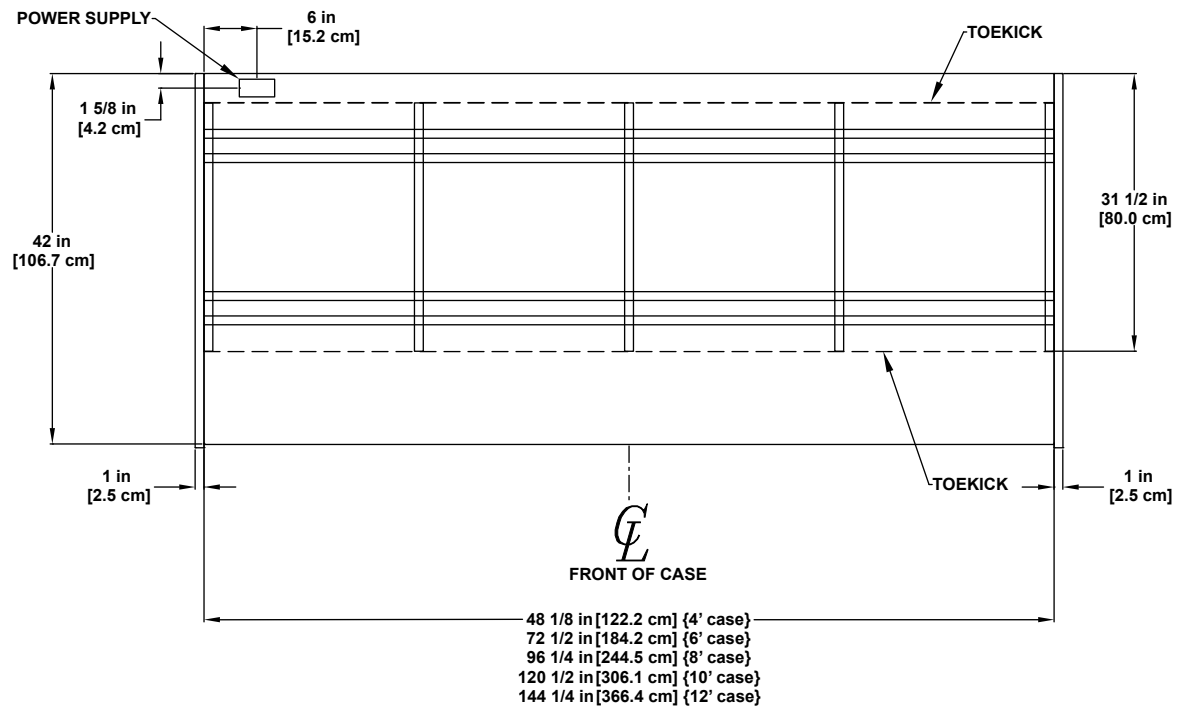
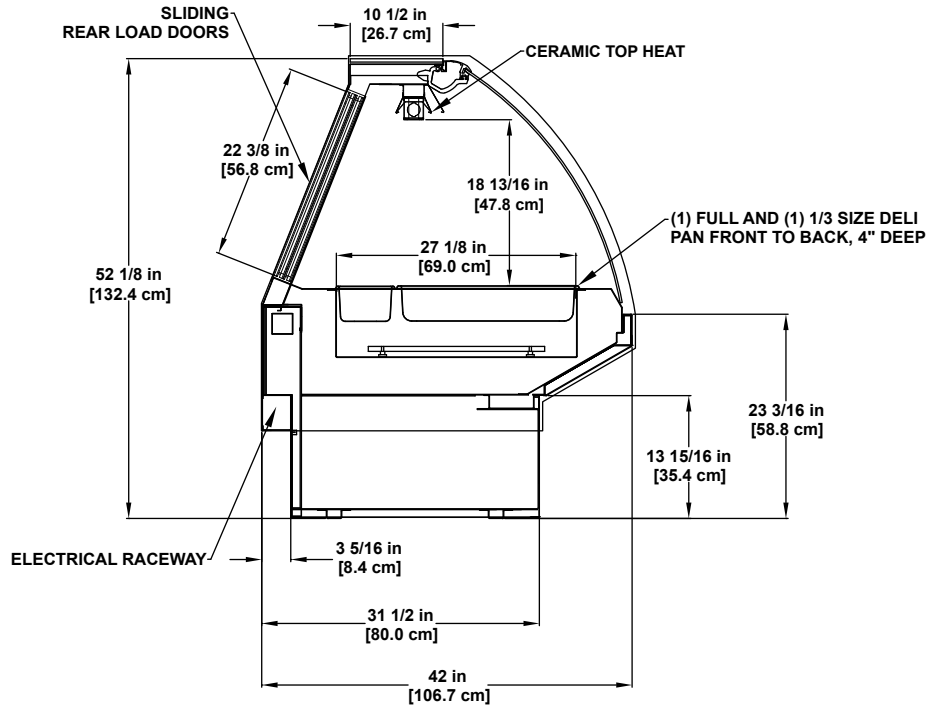
Lighting Data

| Model | | Lights per Row | Light Length (ft) | Incandescent Lighting (Per Light Row) | |
|-------|-----|----------------------|-------------------------|---|-------|
| | | | | Amps | Watts |
| SMDH | 4' | 2 | --- | 0.83 | 100 |
| | 6' | 3 | --- | 1.26 | 150 |
| | 8' | 4 | --- | 1.68 | 200 |
| | 10' | 5 | --- | 2.1 | 250 |
| | 12' | 6 | --- | 2.52 | 300 |

1 NOTE: "-" indicates data not applicable.

Engineered for stores with ambient conditions not to exceed 75° and 55% relative humidity.
 Due to engineering improvements specifications may change without notice.
 All measurements are taken per ASHRAE - 72 - 2005 specifications.
 Numbers are based on standard case sizes. Consult engineering.





SERVICE
SINGLE-DECK

Del