

Service Single-Deck Merchandiser w/ Curved Lift Glass

SMD-RG REMOTE GRAVITY - 4', 6', 8', 10' & 12'

Electrical Data

Model		Fans per Case	High Efficiency Fans		Anti-Condensate Fans		Drain Heaters		Optional Defrost Heaters	
			120 Volts		120 Volts		120 Volts		208 Volts	
			Amps	Watts	Amps	Watts	Amps	Watts	Amps	Watts
SMD-RG	4'	--- ¹	---	---	0.52	62.4	---	---	---	---
	6'	---	---	---	0.70	93.6	---	---	---	---
	8'	---	---	---	1.04	124.8	---	---	---	---
	10'	---	---	---	1.30	156.0	---	---	---	---
	12'	---	---	---	1.56	187.2	---	---	---	---

Lighting Data

Model		Lights per Row	Light Length (ft)	Clearvoyant 4 LED Lighting (Per Light Row)			
				Standard Power (Cornice or Shelf)		High Power (Cornice)	
				120 Volts		120 Volts	
				Amps	Watts	Amps	Watts
SMD-RG	4'	1	4	0.05	5.9	0.12	14.9
	6'	2	3	0.08	9.4	0.20	23.8
	8'	2	4	0.10	11.8	0.24	29.8
	10'	2	5	0.12	15.0	0.30	37.0
	12'	2	4	0.10	11.8	0.24	29.8

Guidelines & Control Settings (DX)

Model	Conventional BTUH/ft	Parallel BTUH/ft	Superheat Set Point @ Bulb (°F)	Evaporator (°F)	Discharge Air (°F)	Discharge Air ² Velocity (FPM)
SMD-RG	708	650	10	15	28	200

Defrost Controls

Model	Defrosts ³ per Day	Run-Off Time (min)	Electric Defrost		Timed-Off Defrost		Hot Gas Defrost	
			Fail-Safe (min)	Termination Temp (°F)	Fail-Safe (min)	Termination Temp (°F)	Fail-Safe (min)	Termination Temp (°F)
SMD-RG	1	---	---	---	90	---	---	---

1 NOTE: "-" indicates data not applicable.

2 Average discharge air velocity at peak of defrost.

3 Units equipped with RH systems require 2 defrosts per day with a fail-safe of 120 minutes.

* Listed data is based on the factory recommended default fresh meat temperature settings.

* Shelves are not recommended for fresh meat applications.

Engineered for stores with ambient conditions not to exceed 75° and 55% relative humidity.

Due to engineering improvements specifications may change without notice.

All measurements are taken per ASHRAE - 72 - 2005 specifications.

Hillphoenix refrigerated display cases for sale in the United States meet or exceed department of energy 2017 efficiency requirements.

Numbers are based on standard case sizes. Consult engineering.

2017
DOE
COMPLIANT

Clearvoyant™
LED SYSTEM

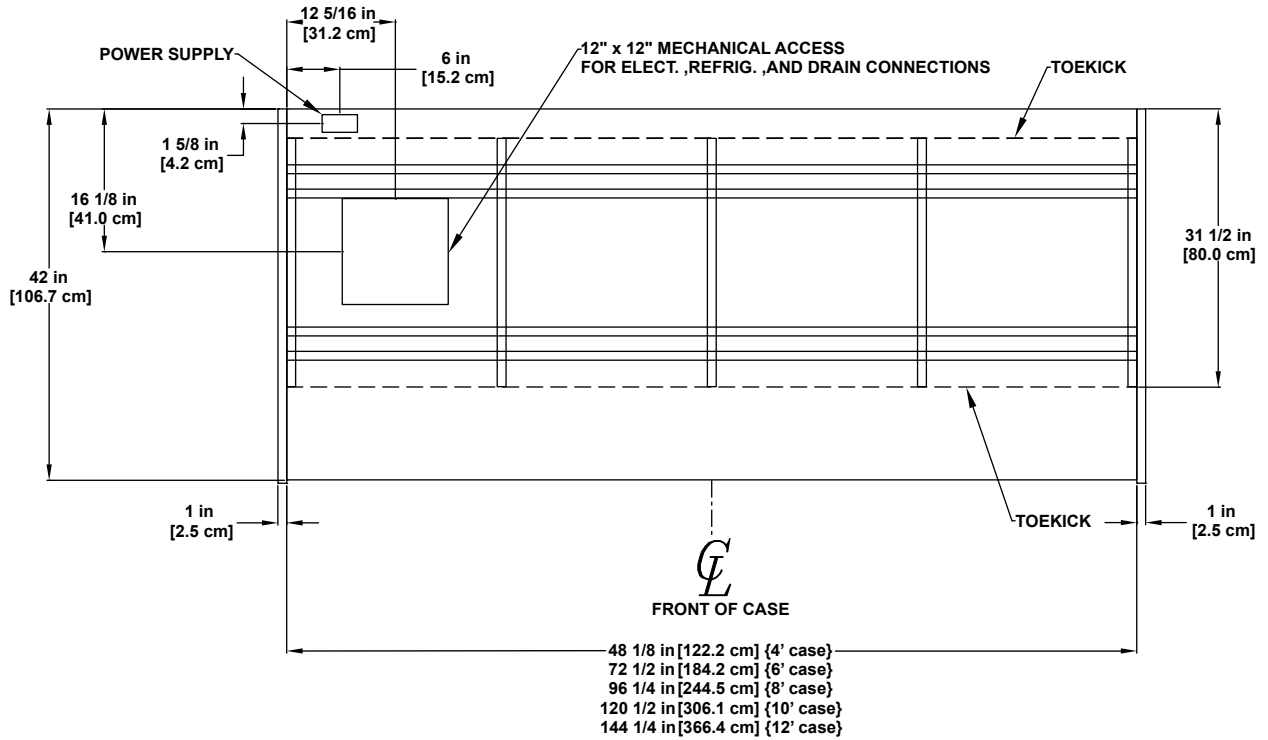
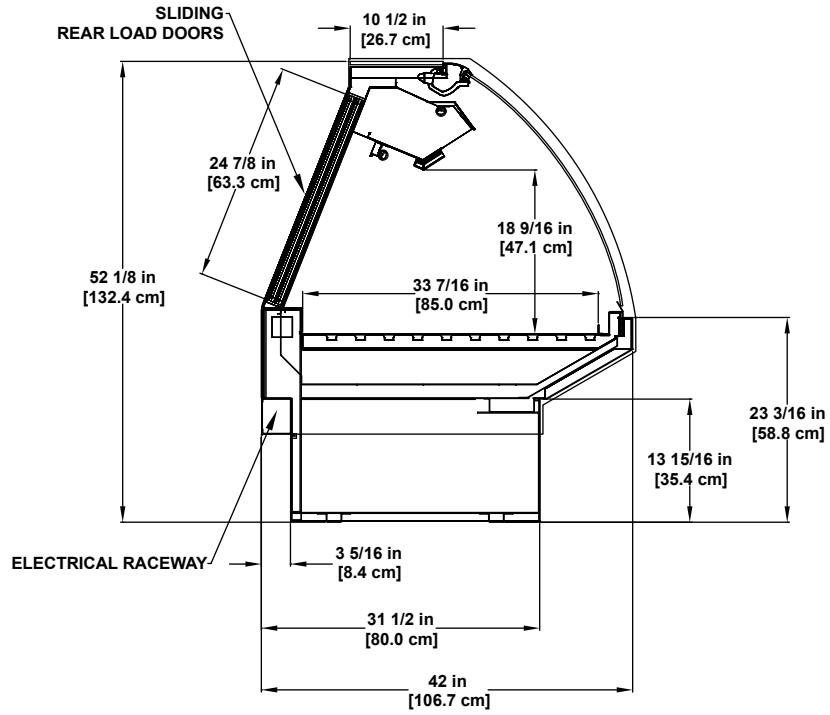
Hillphoenix / **Barker**
SPECIALTY PRODUCTS



SMD-RG
(Remote Gravity)

Hillphoenix

A DOVER COMPANY



SERVICE
SINGLE-DECK
Meat / Seafood

